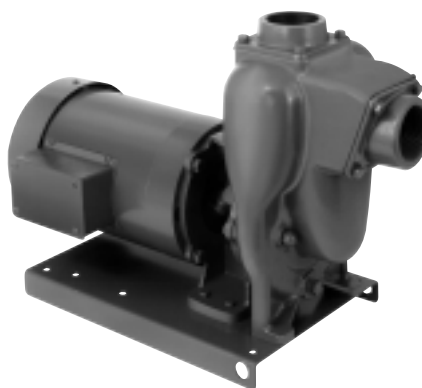


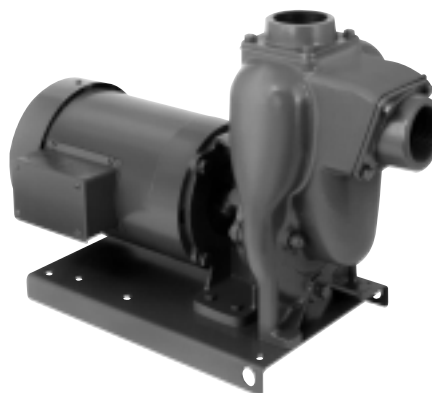
# FLOMAX 5 8 10

## SELF PRIMING CENTRIFUGAL PUMP FEATURES

- CLOSED COUPLED TO ELECTRIC MOTOR
- PUMPAK ONLY TO MOUNT TO STANDARD NEMA "C" FACE MOTOR  
FLOMAX 40 BELT OR DIRECT DRIVE
- FLOWS - 100-750 GPM
- PRESSURES - 100-230 FEET HEAD
- AVAILABLE IN: CAST IRON, BRONZE AND ALUMINUM  
FLOMAX 8 STAINLESS STEEL 316 SS  
FLOMAX 40 CAST IRON
- WITH OR WITHOUT ELECTRIC MOTOR
- IMPELLER - CAST IRON, BRONZE, ALUMINUM & STAINLESS STEEL  
FLOMAX 40 CAST IRON & STAINLESS STEEL
- SHAFT SLEEVE - STAINLESS STEEL
- FASTENERS - STAINLESS STEEL
- SEALS - STANDARD VITON, OPTIONAL SEALS AVAILABLE
- OPTIONS:
  - ENGINE DRIVES
  - PEDESTAL MODELS
  - HYDRAULIC DRIVES AND CLUTCHPAKS



FLOMAX 5



FLOMAX 8

MODEL	Suction	Discharge
FLOMAX 5	1 1/2" NPT	1 1/2" NPT
FLOMAX 8	2" NPT	2" NPT
FLOMAX 10	2" NPT	2" NPT
FLOMAX 15	3" NPT	3" NPT
FLOMAX 30	3" NPT	3" NPT
FLOMAX 40	4" NPT	4" NPT



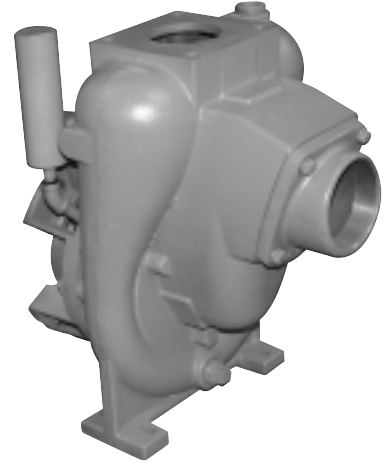
316 SS FLOMAX 8

# 15 30 40

---



**FLOMAX 5 & 8  
DOUBLE SEAL**



**FLOMAX 30  
SHORT COUPLED**



**FLOMAX 10**

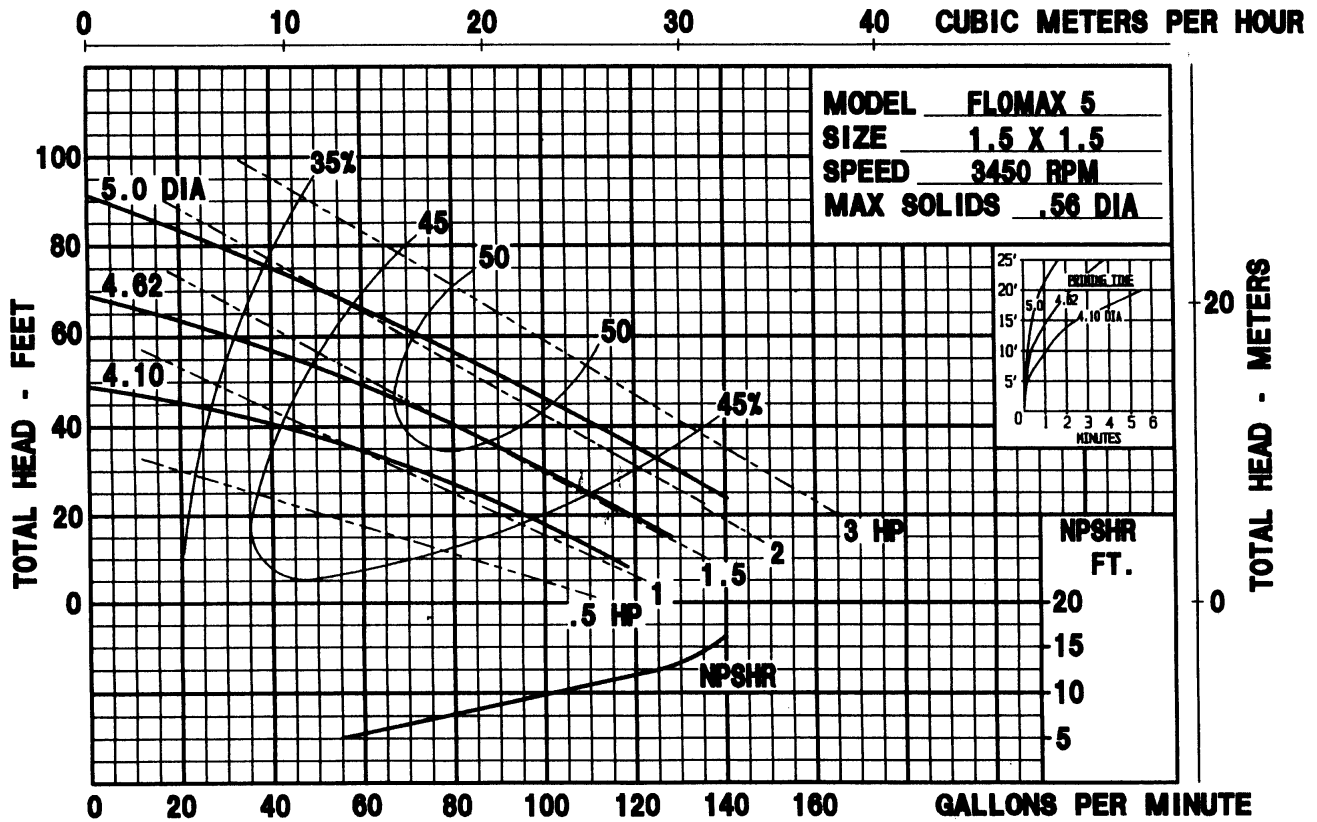
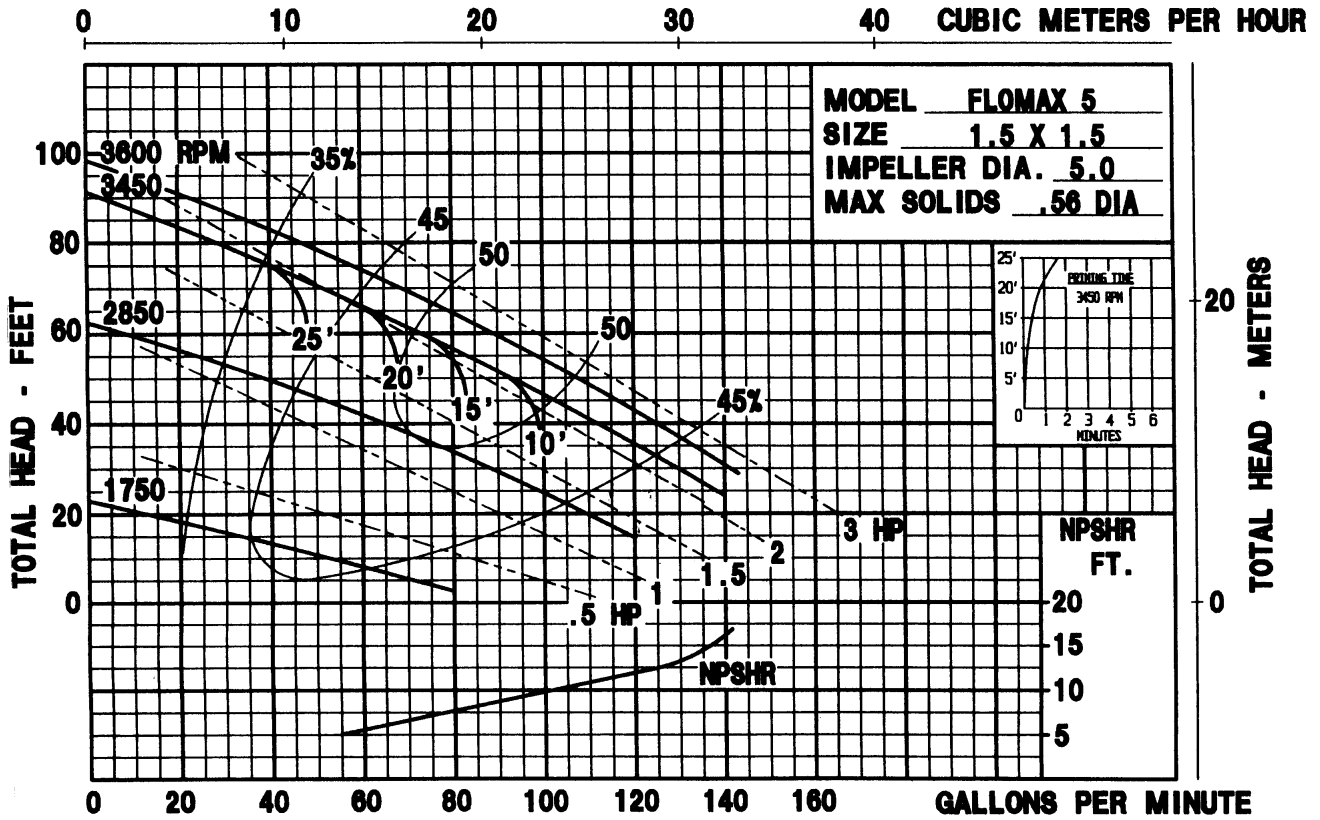


**FLOMAX 40**

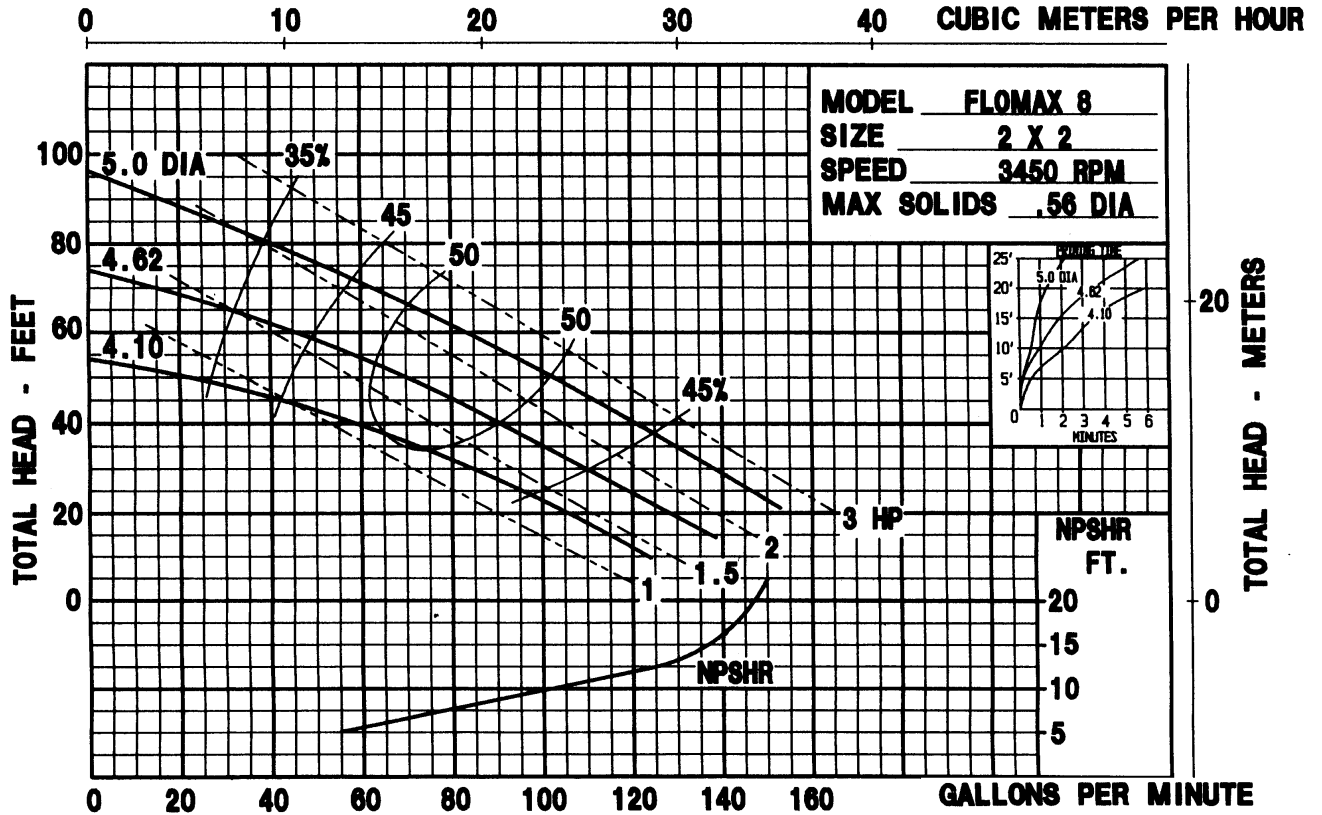
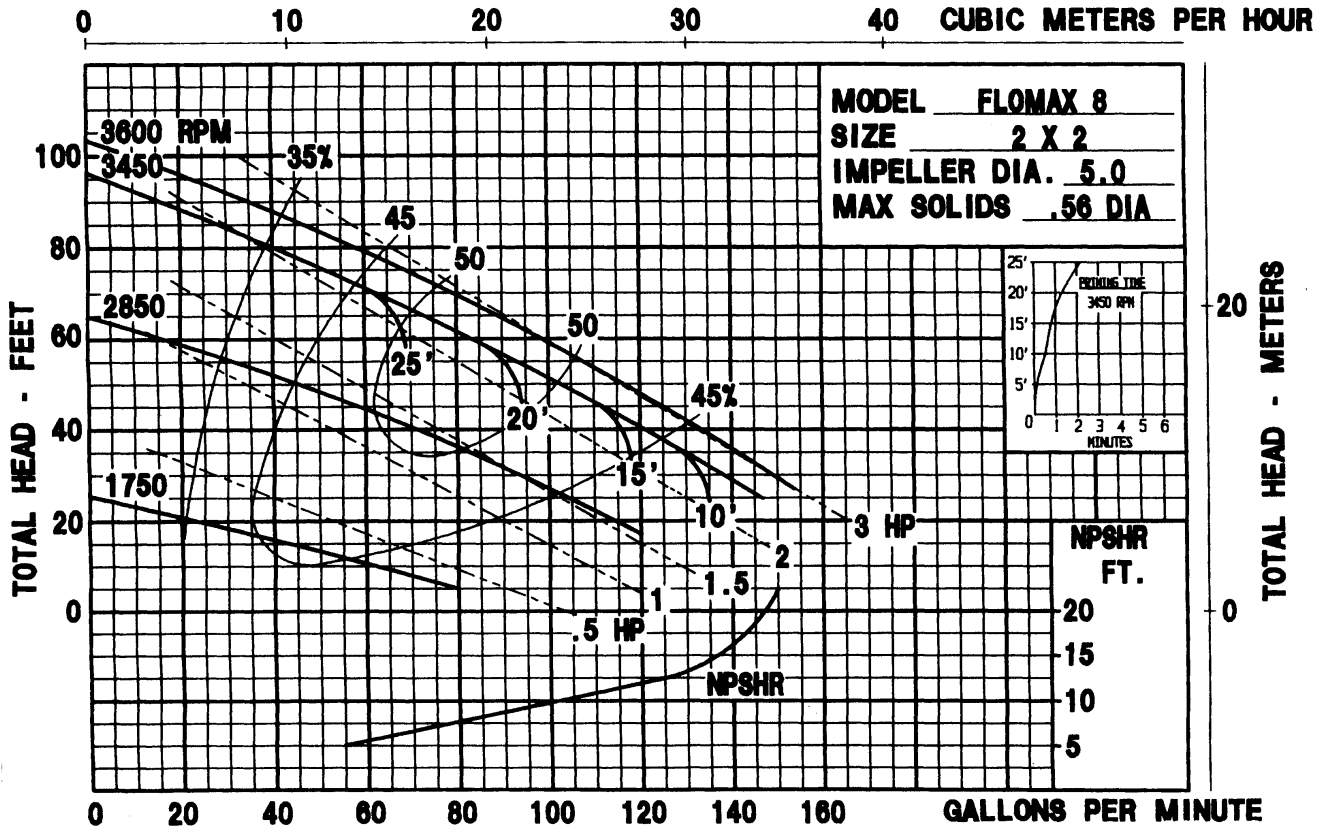


**FLOMAX 15**

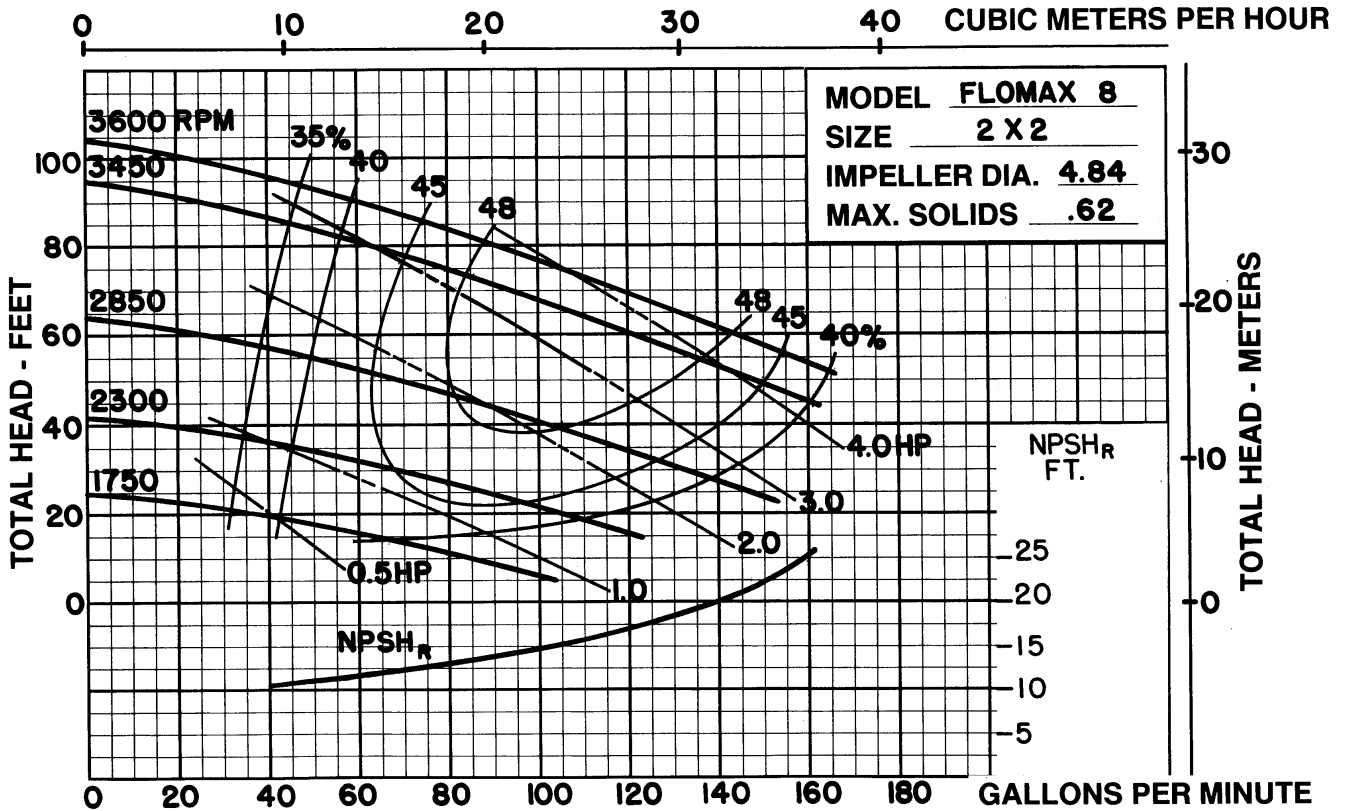
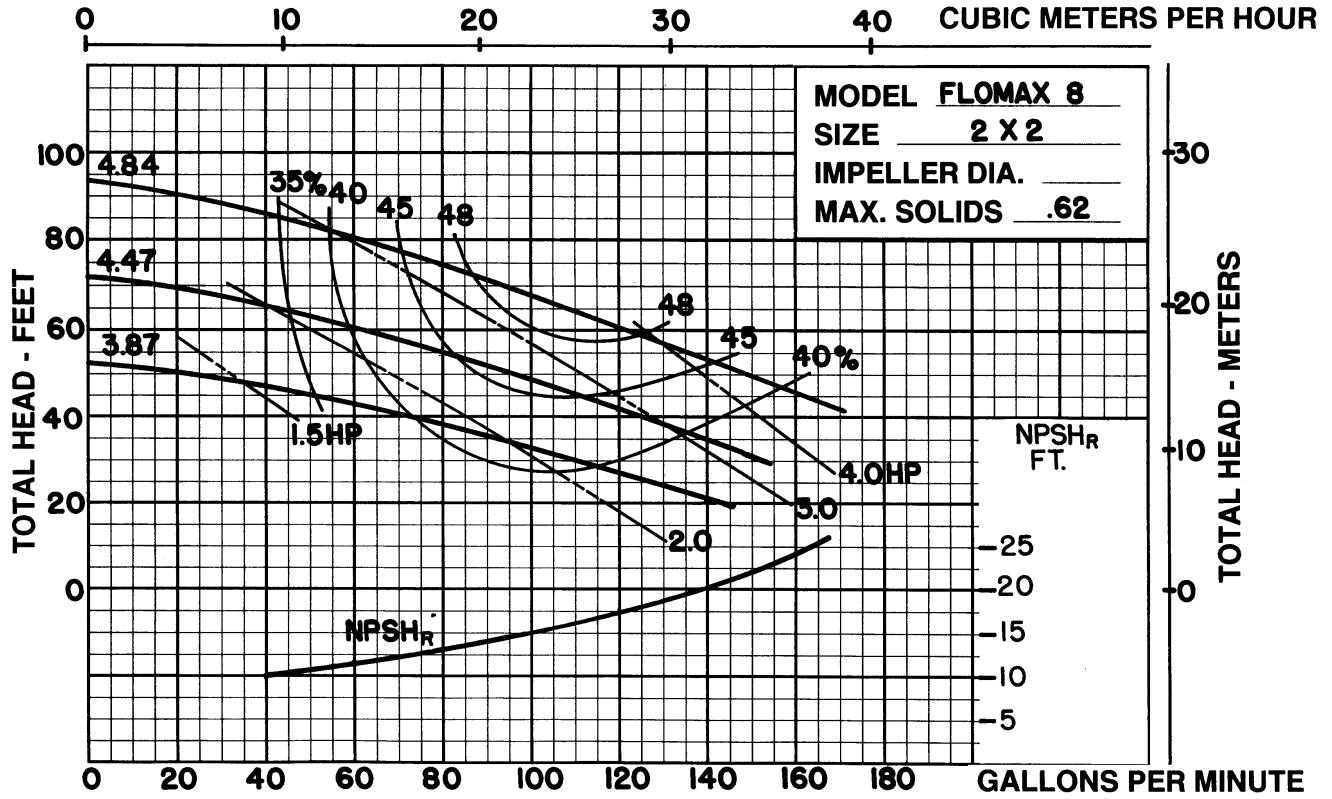
**Flomax 5 Pump Performance Curves**



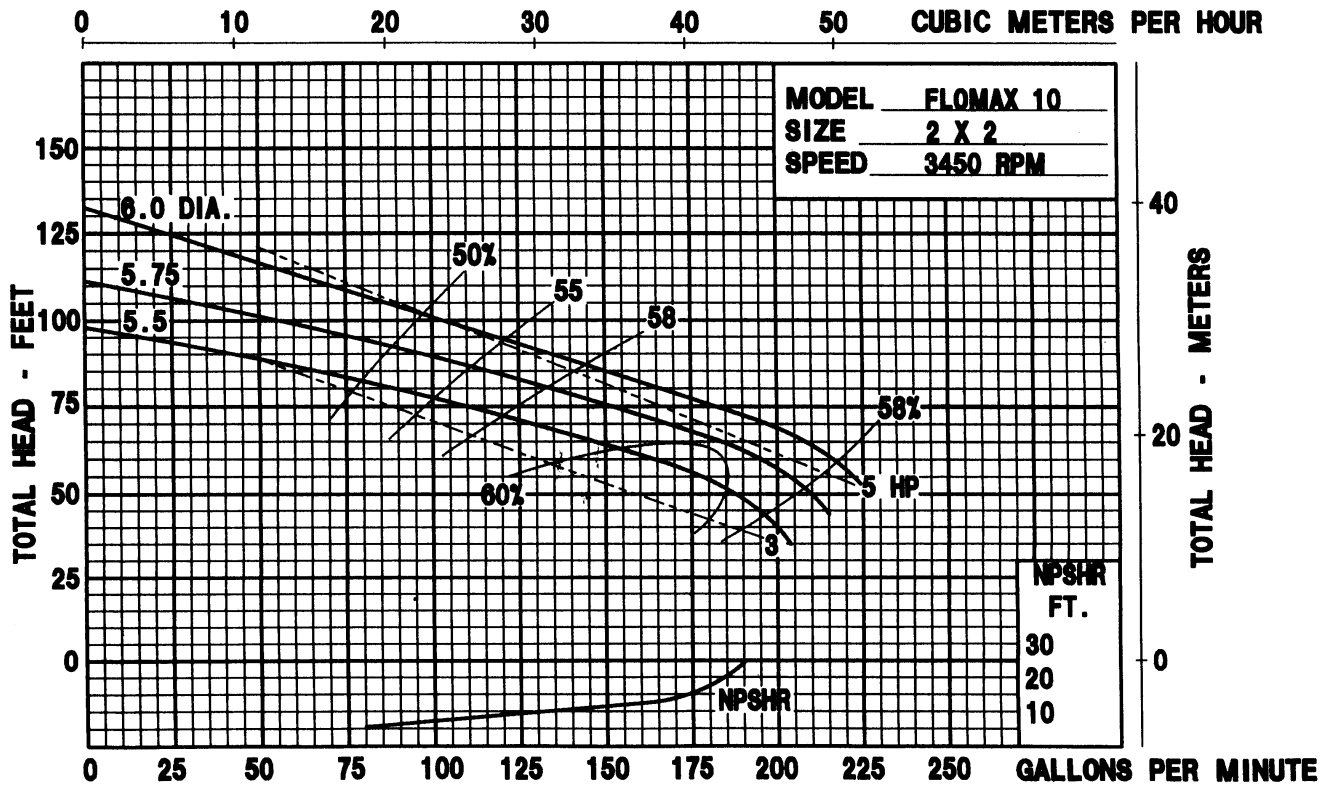
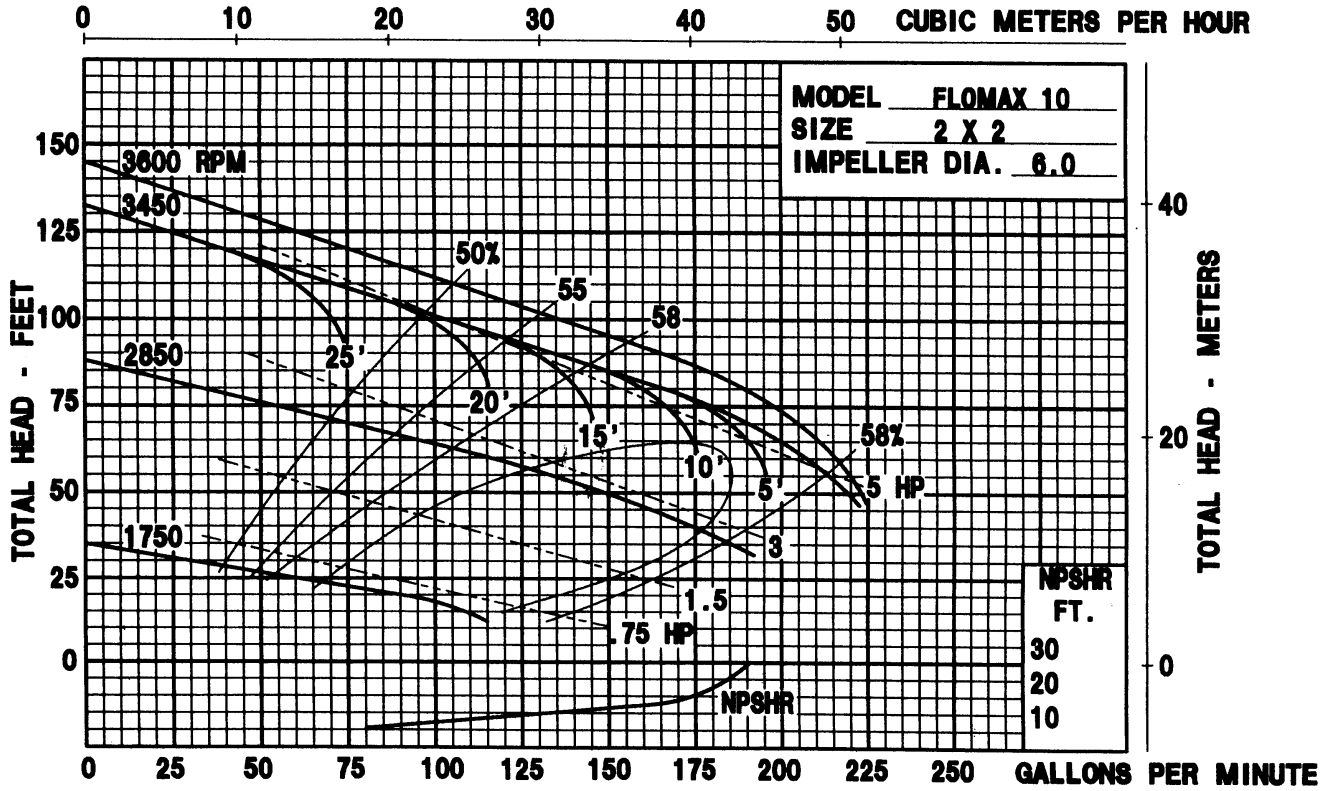
**Flomax 8 Pump Performance Curves**



**FLOMAX 5 & 8 Pump Double Seal Performance Curves**

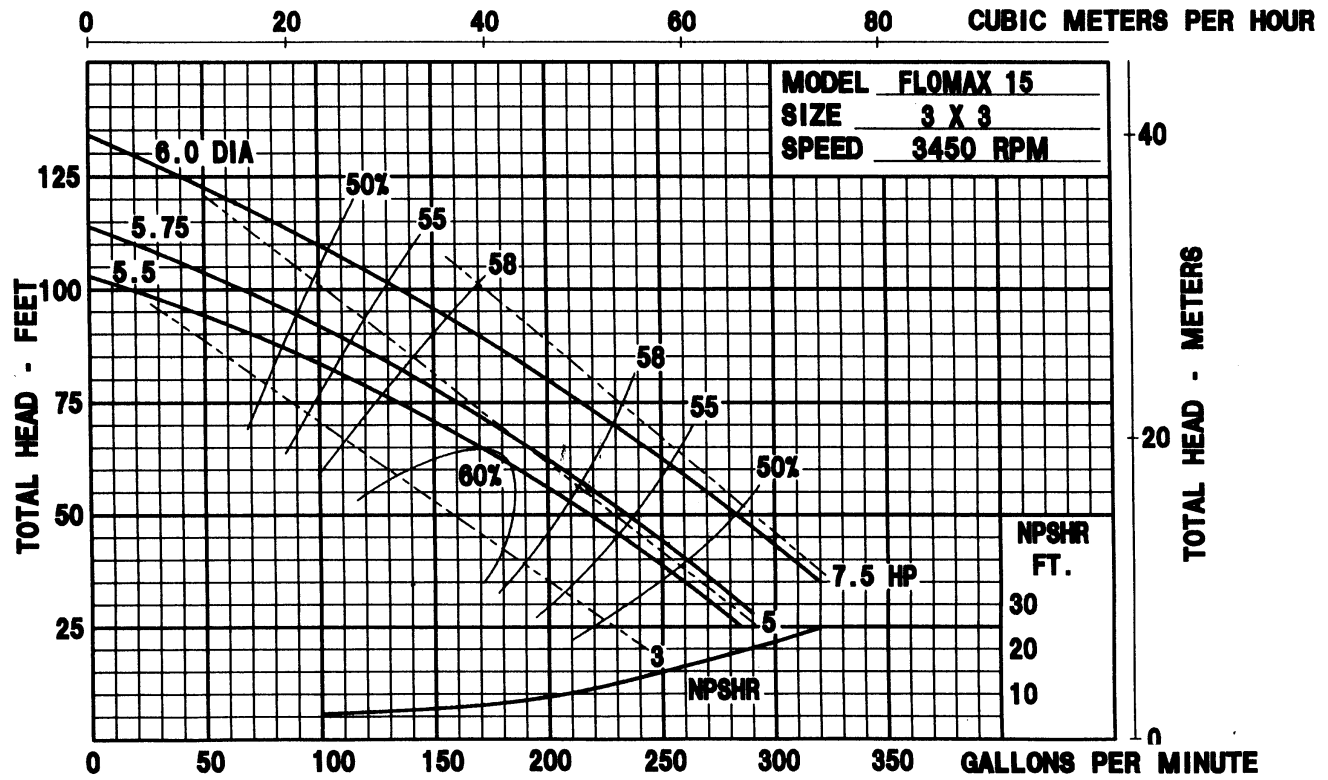
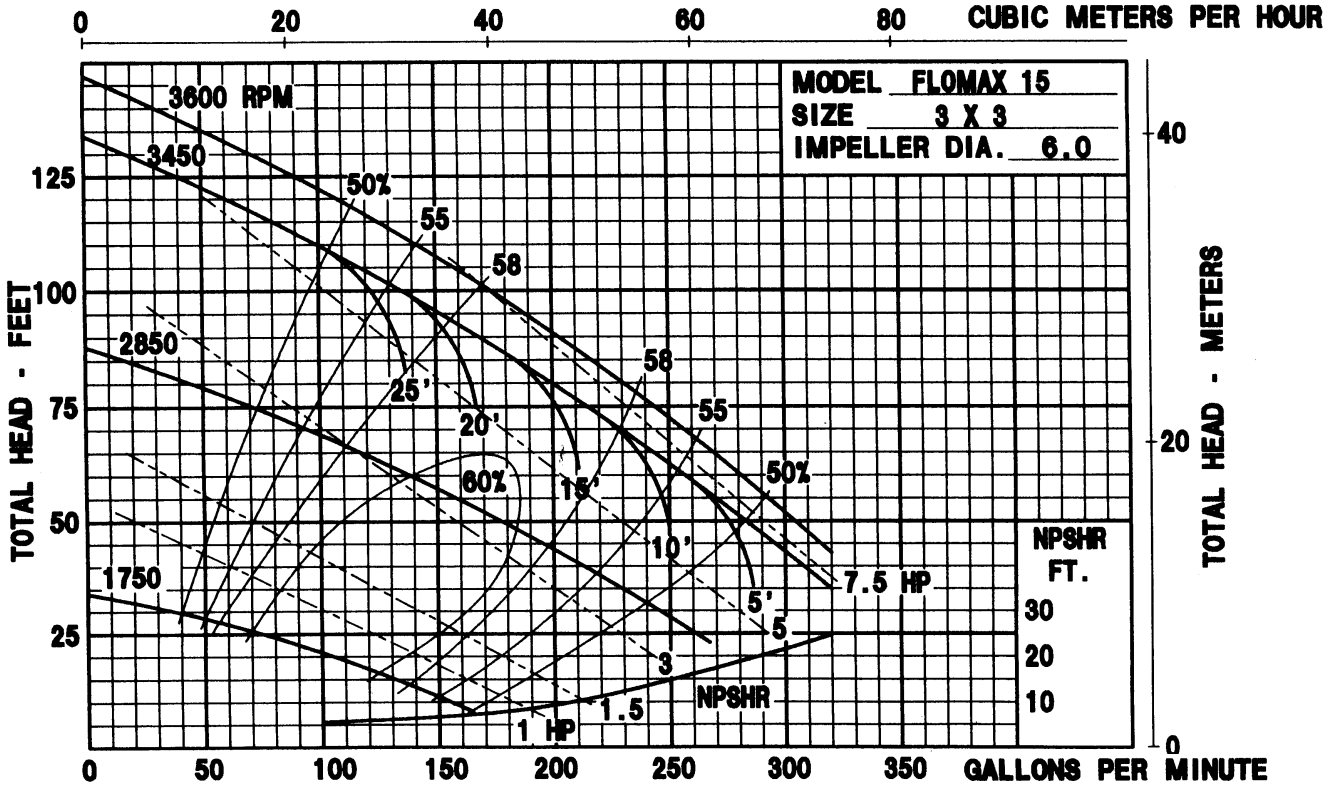


**Flomax 10 Pump Performance Curves**

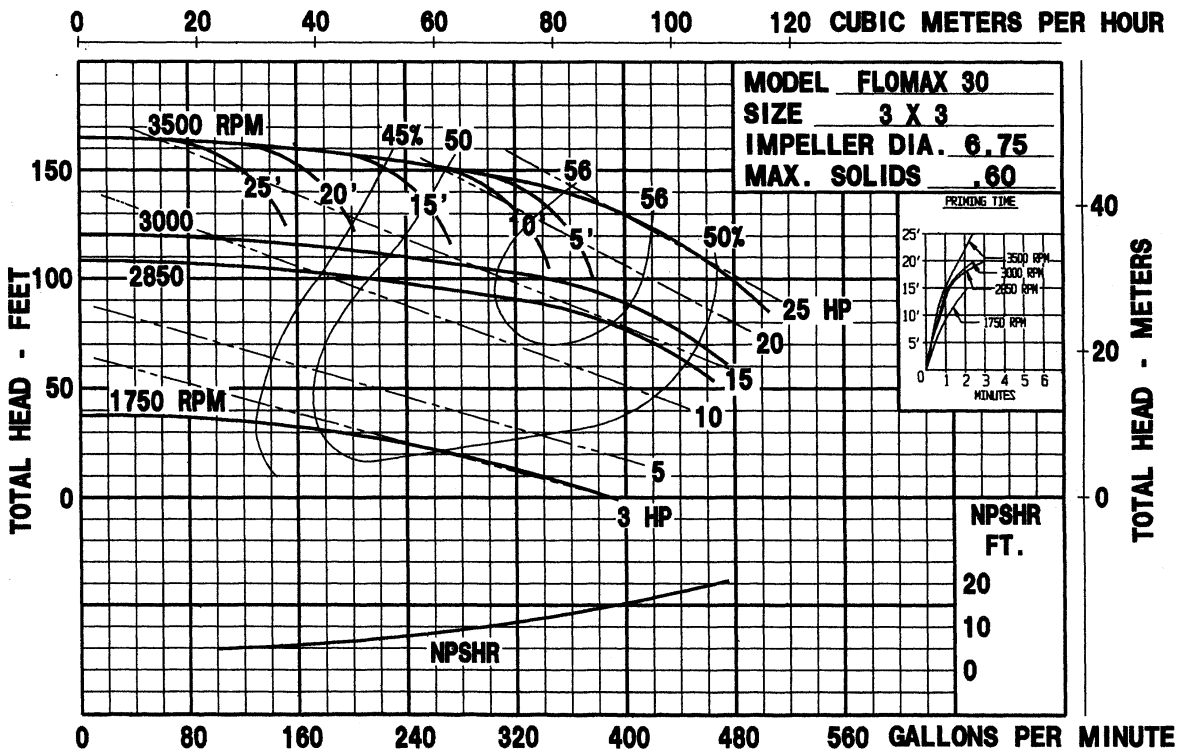
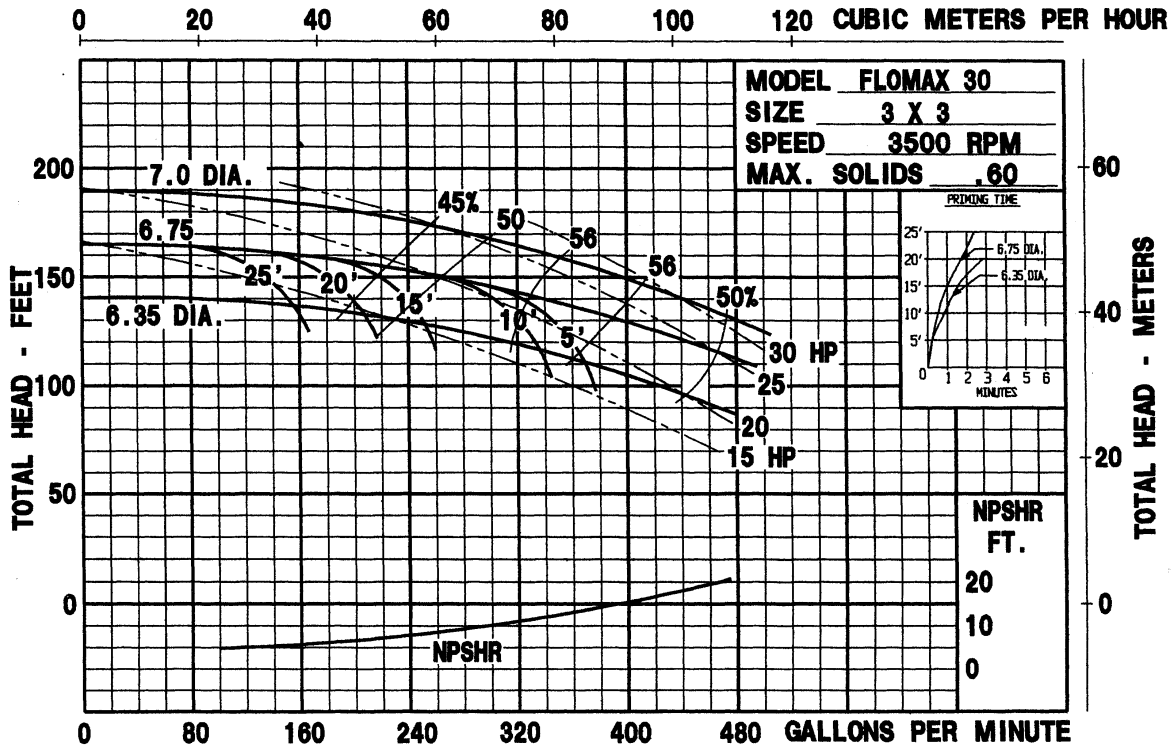


Other Performance Curves Available Upon Request

**Flomax 15 Pump Performance Curves**

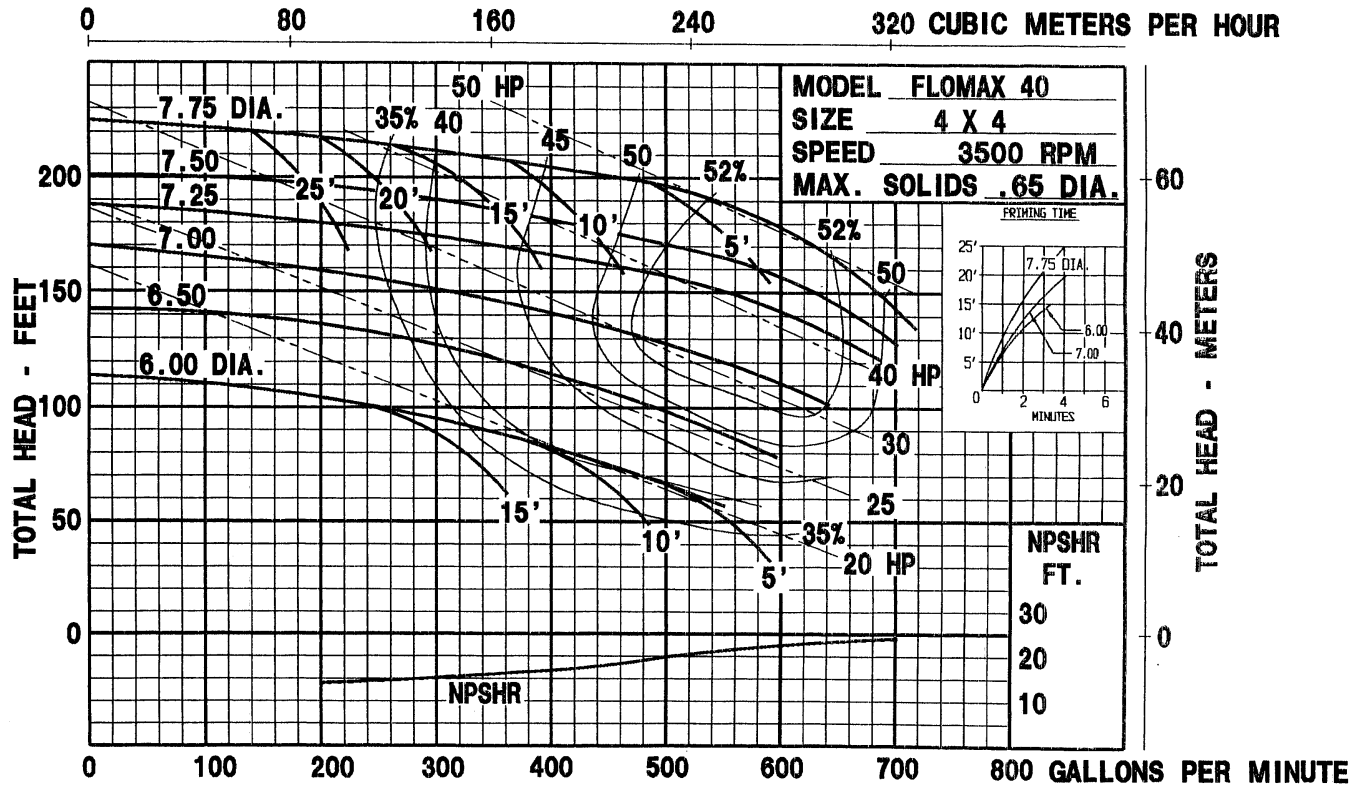
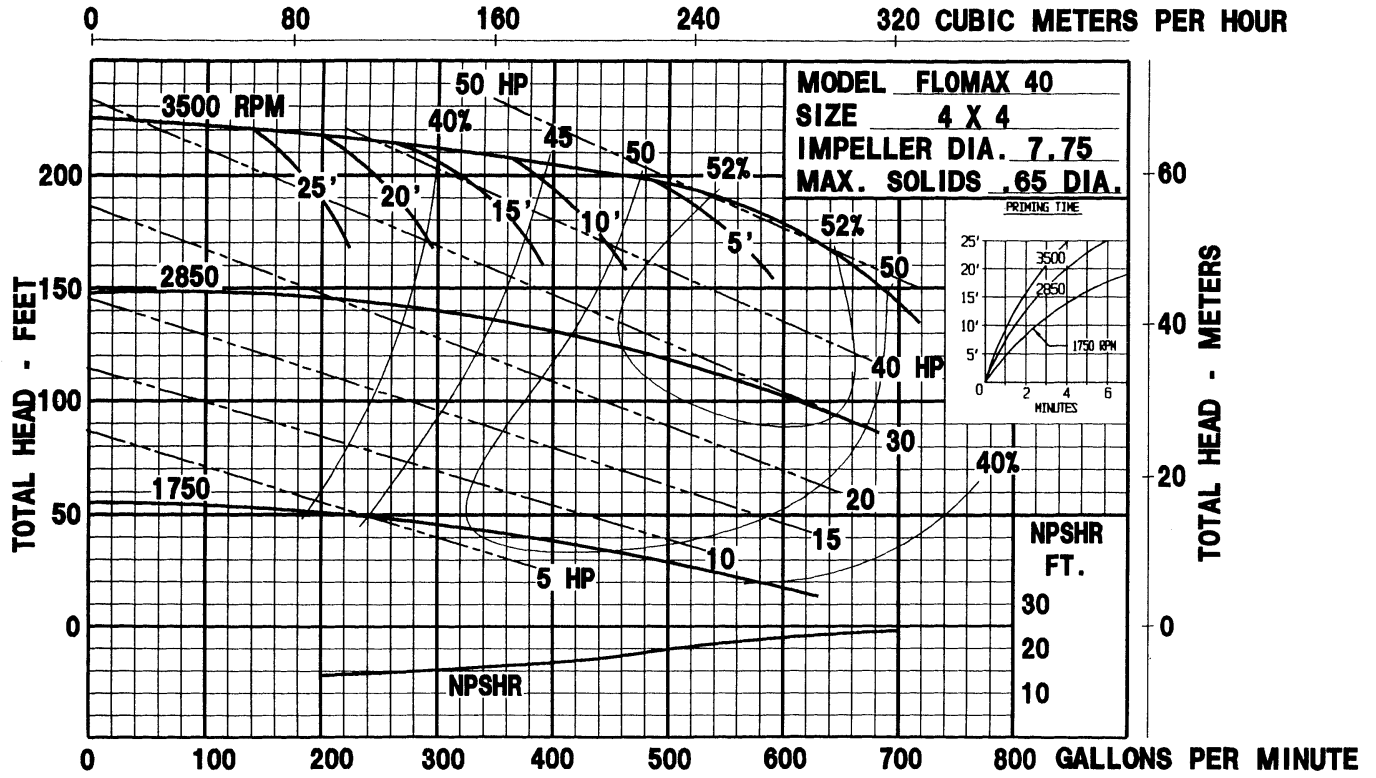


**Flomax 30 Pump Performance Curves**

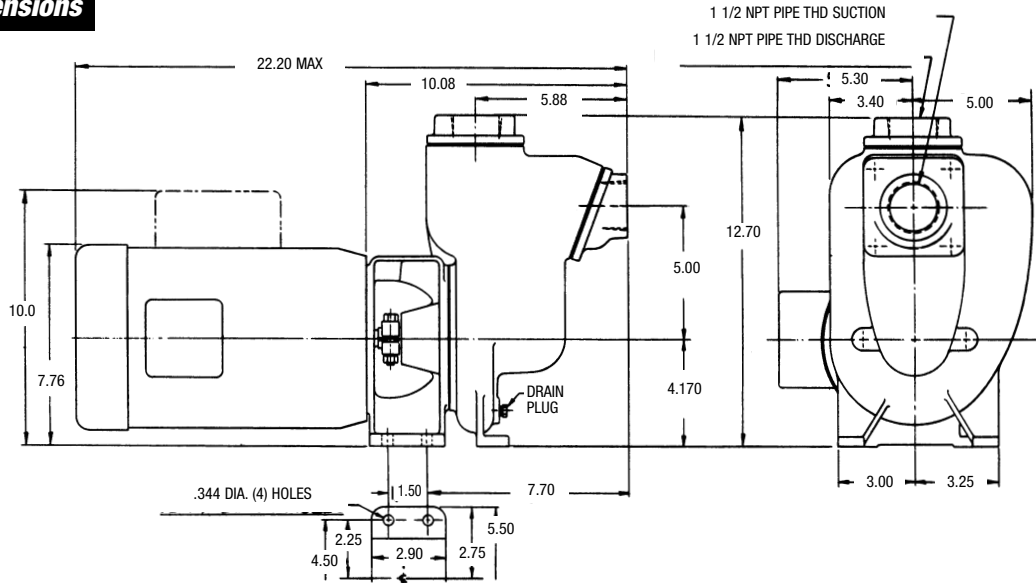




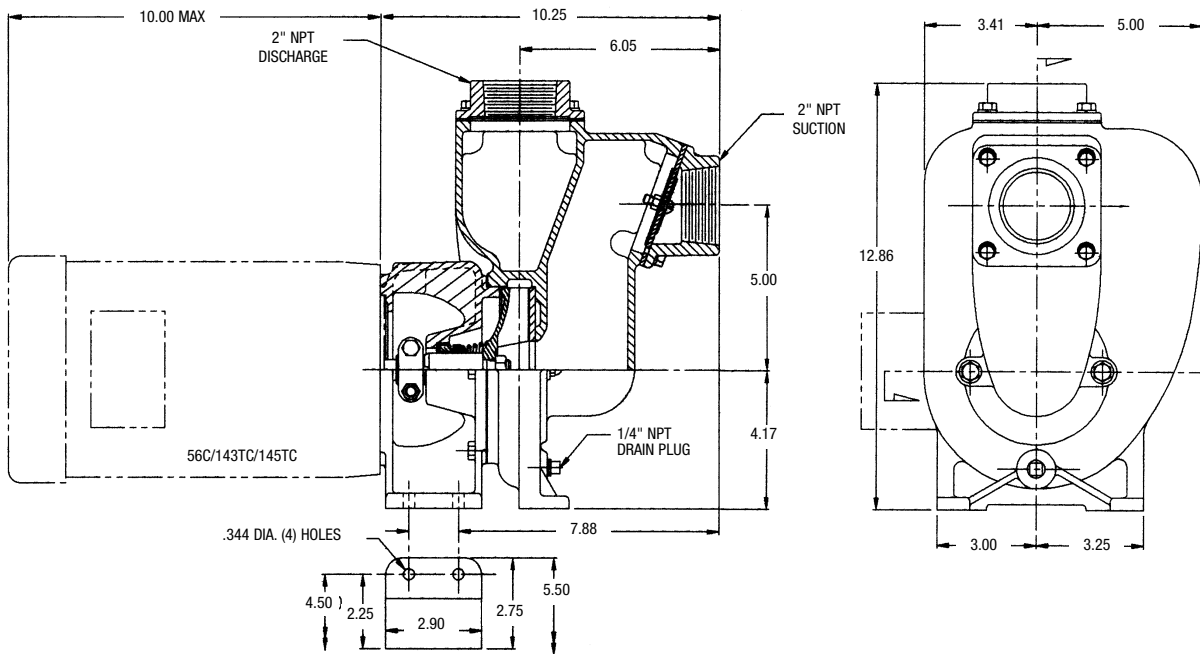
**Flomax 40 Pump Performance Curves**



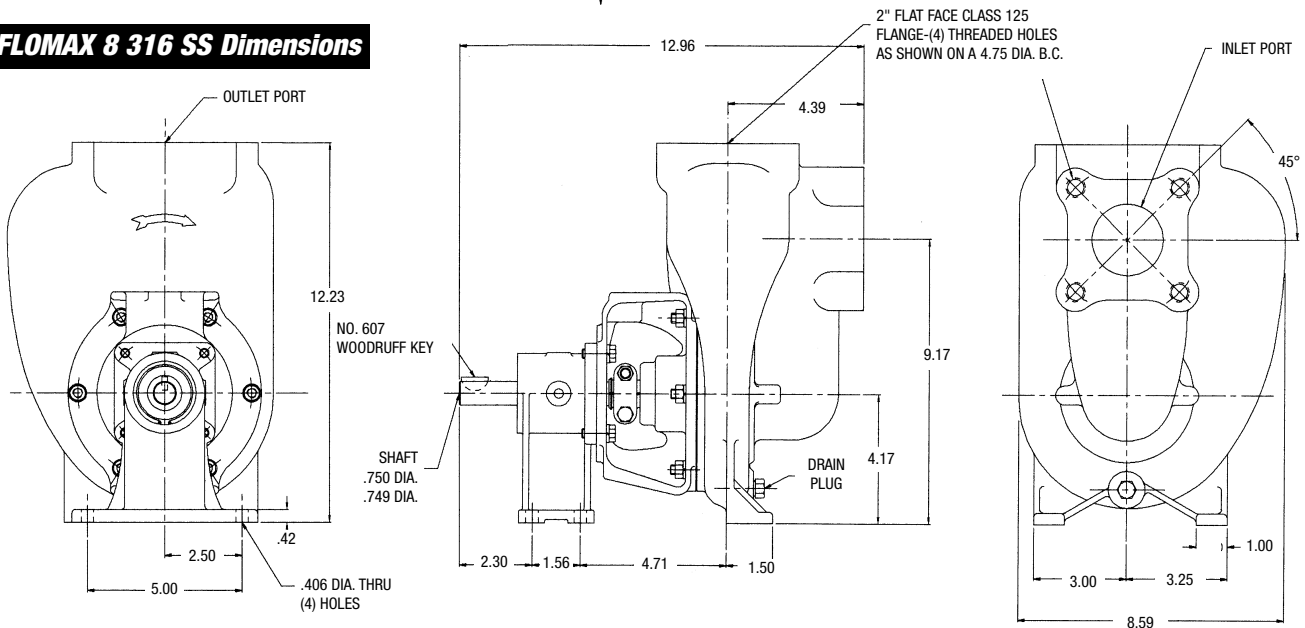
### Flomax 5 Dimensions



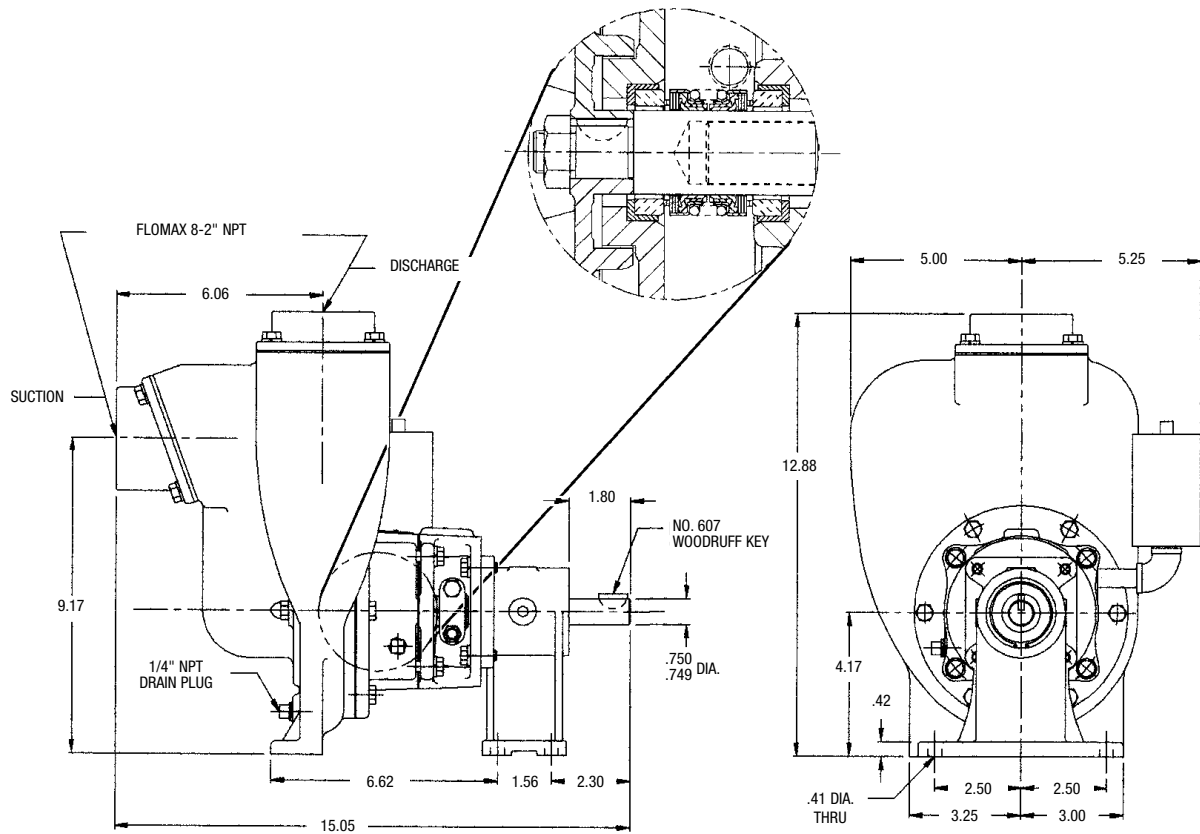
### Flomax 8 Dimensions



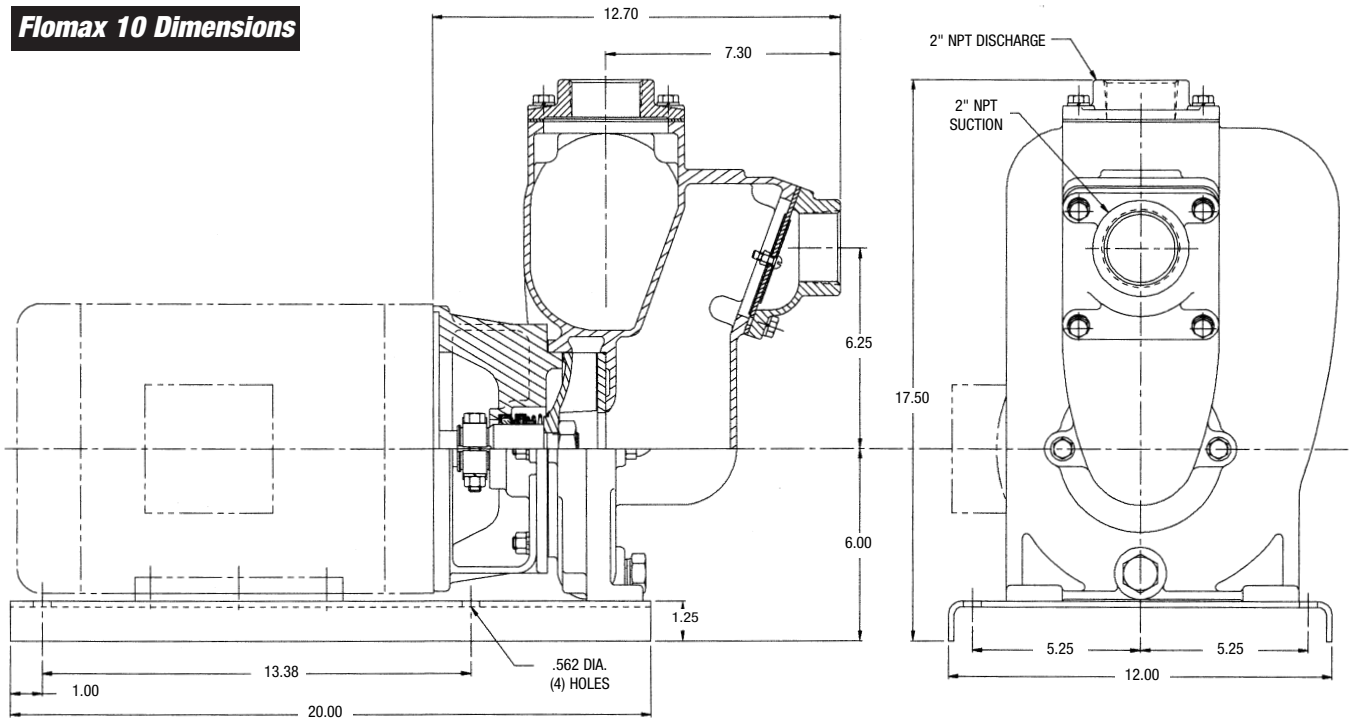
### FLOMAX 8 316 SS Dimensions



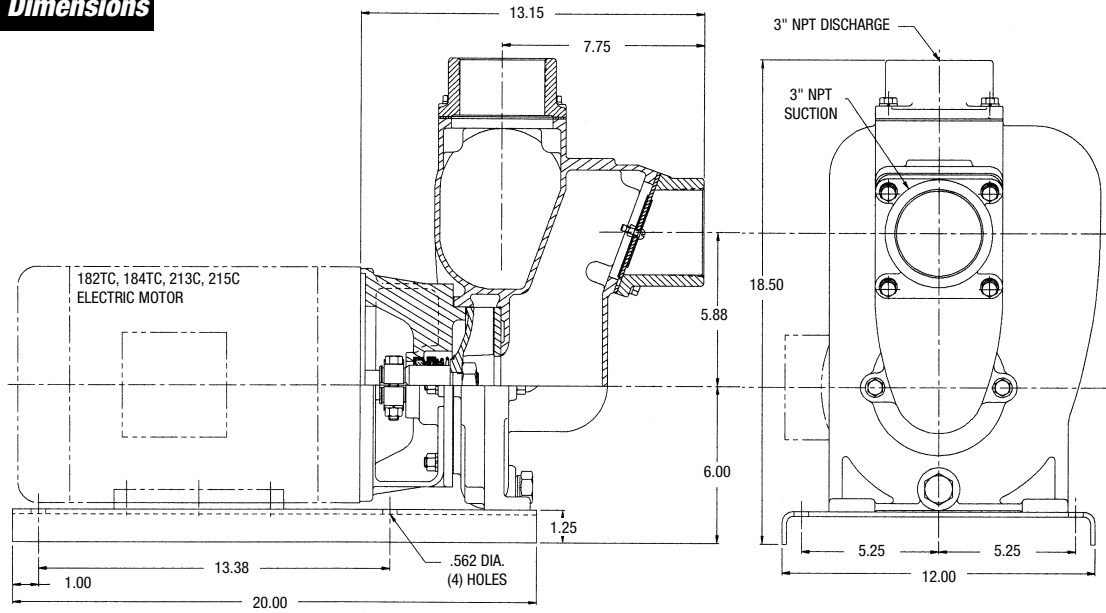
## FLOMAX 5 & 8 Dimensions



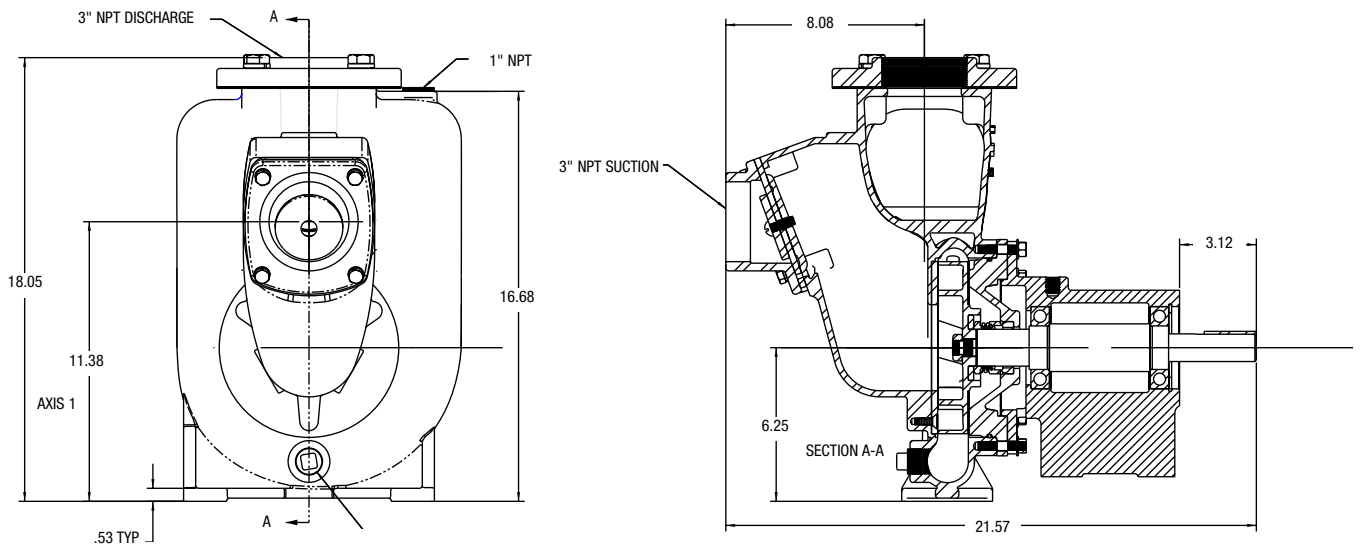
## Flomax 10 Dimensions



## Flomax 15 Dimensions



## Flomax 30 Pedestal Mount Dimensions



## Flomax 40 Dimensions

