

# CHEMFLO<sup>7</sup>

Centrifugal Pumps

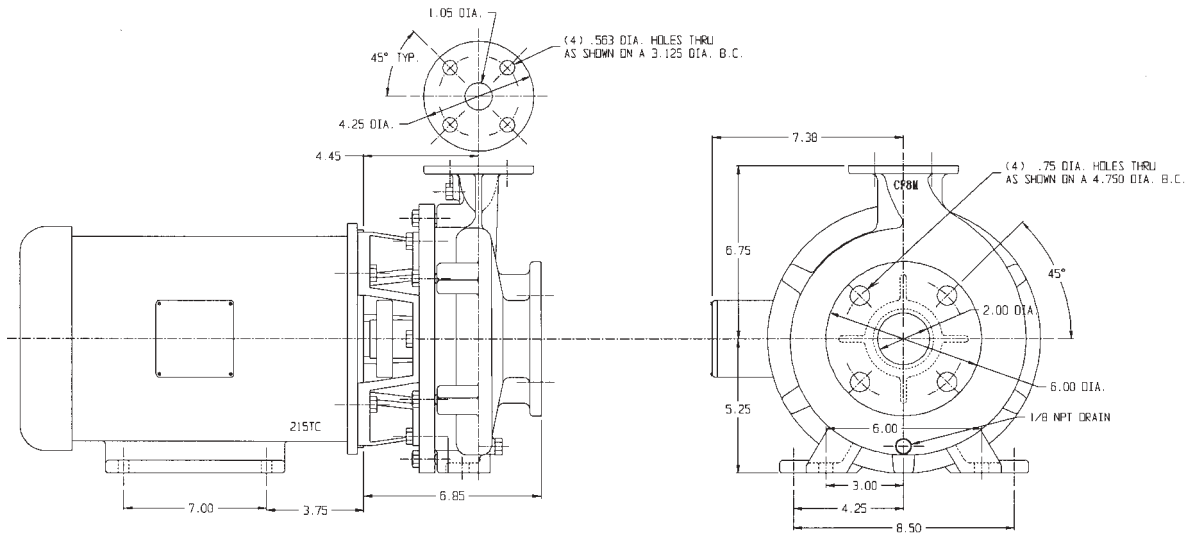
## Features & Options

- 316 CF8M Stainless Steel Housing, Seal Housing and Impeller
- Standard- Viton “O” Ring
- Standard- Viton Type 2100 Mechanical Seal
- Optional- Teflon Type 9 and Hard Face Mechanical Seals
- Exotic Elastomers and Seals Available (consult factory)
- Enclosed Impellers
- SIZE: 2” X 1”
- 7.5, 10 and 10 HP
- Water Flush/Product Flush Optional
- Flows to 200 GPM
- Pressures to 225 Feet Head
- Pumpaks For 182TC, 184TC, 213C, 215C, 213TC, 215TC Electric Motors



Pedestal Option Shown

## Dimensions

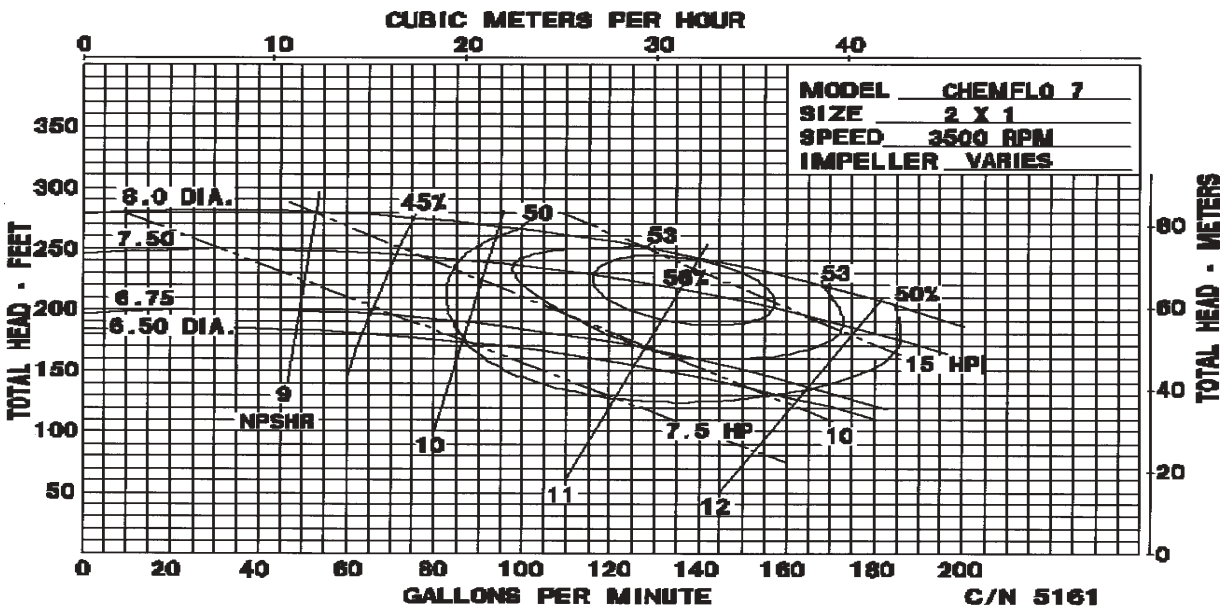
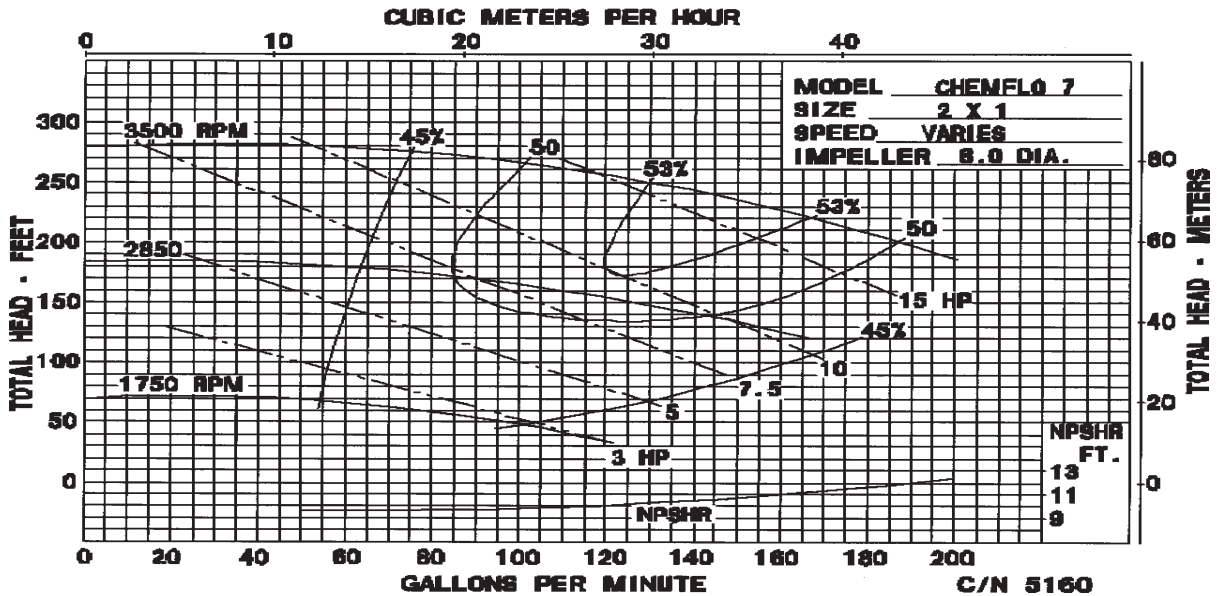


# CHEMFLO

Centrifugal Pumps

# 7

## Pump Performance Curves



**MP PUMPS, INC.**

TECUMSEH PRODUCTS COMPANY

34800 BENNETT DRIVE • FRASER, MI 48026-1686

(586) 293-8240 • FAX (586) 293-8469

(800) 563-8006

www.mppumps.com