

CHEMFLO

Centrifugal Pumps

6

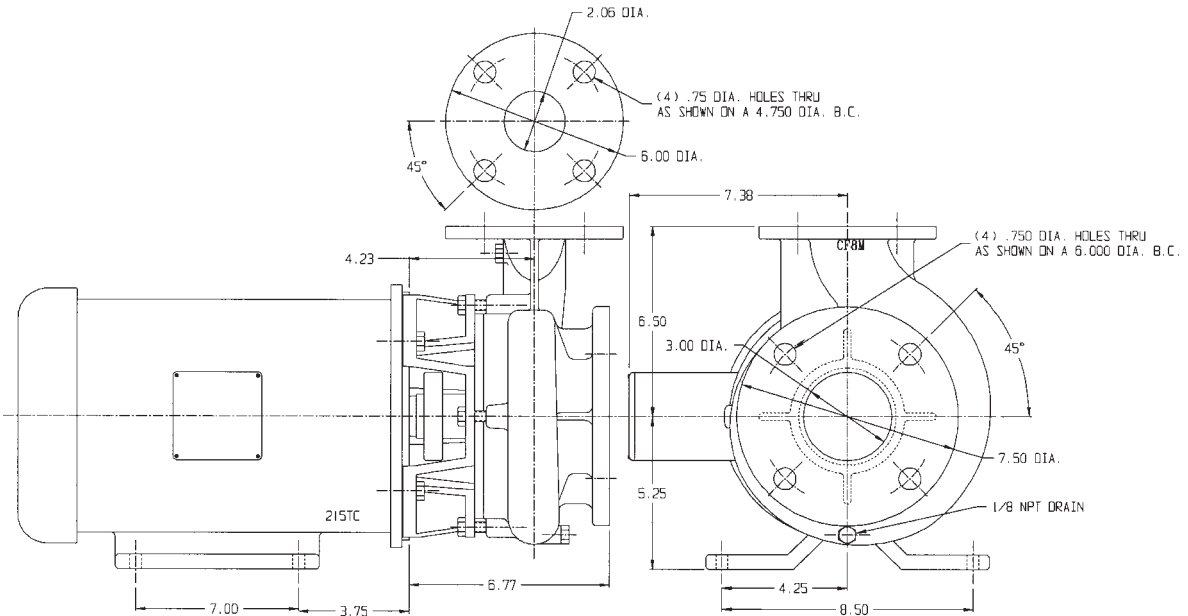
Features & Options

- 316 CF8M Stainless Steel Housing, Seal Housing and Impeller
- Standard- Viton "O" Ring
- Standard- Viton Type 2100 Mechanical Seal
- Optional- Teflon Type 9 and Hard Face Mechanical Seals
- Exotic Elastomers and Seals Available (consult factory)
- Enclosed Impellers
- SIZE: 3" X 2"
- 5, 7.5, 10 and 15 HP
- Water Flush/Product Flush Optional
- Flows to 450 GPM
- Pressures to 160 Feet Head
- Pumpaks For 182TC, 184TC, 213C, 215C, 213TC, 215TC Electric Motors



Pedestal Option Shown

Dimensions



MP PUMPS, INC.
TECUMSEH PRODUCTS COMPANY

34800 BENNETT DRIVE • FRASER, MI 48026-1686
(586) 293-8240 • FAX (586) 293-8469
(800) 563-8006

www.mppumps.com

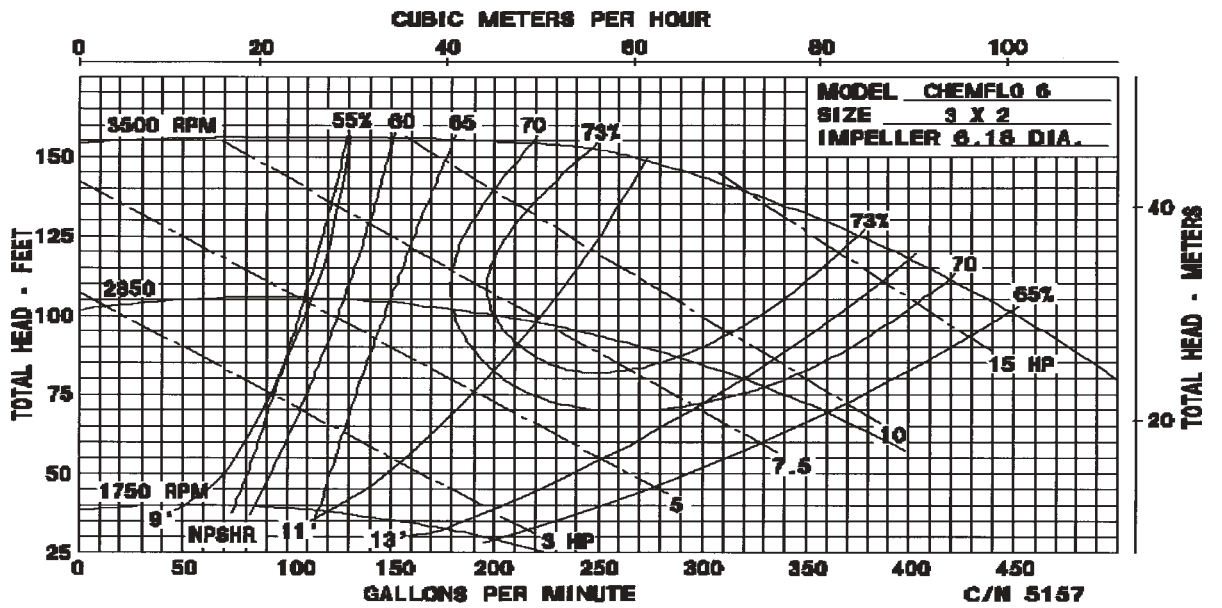
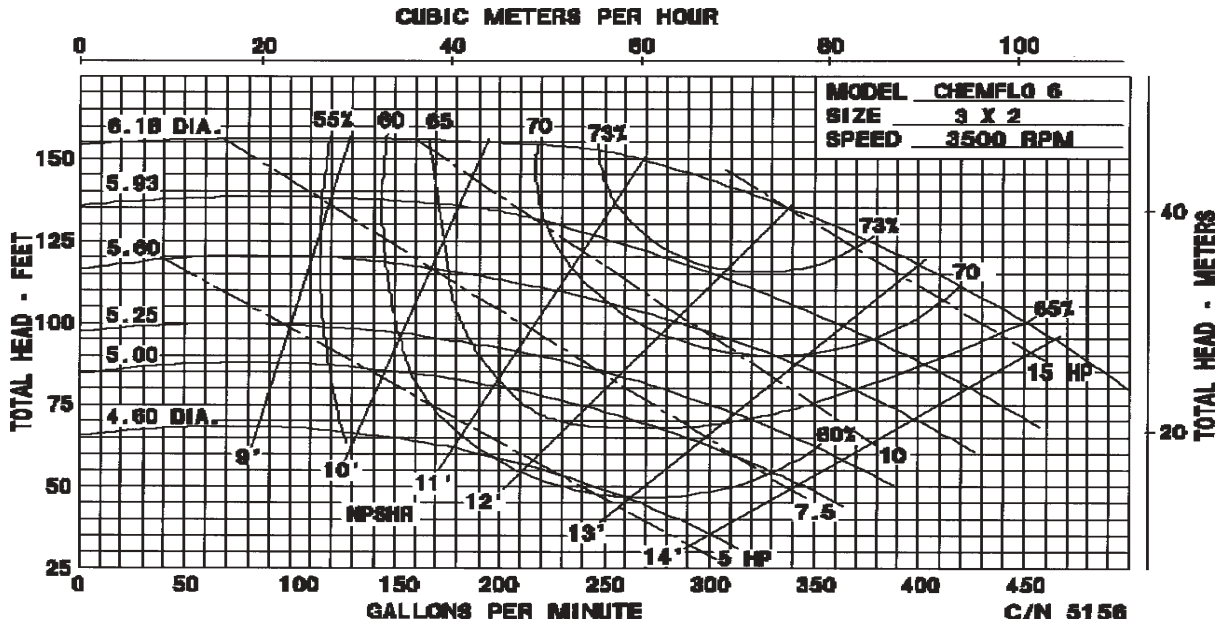
FORM CF-6-A 10-00

CHEMFLO

Centrifugal Pumps

6

Pump Performance Curves



MP PUMPS, INC.
TECUMSEH PRODUCTS COMPANY
 34800 BENNETT DRIVE • FRASER, MI 48026-1686
 (586) 293-8240 • FAX (586) 293-8469
 (800) 563-8006
www.mppumps.com