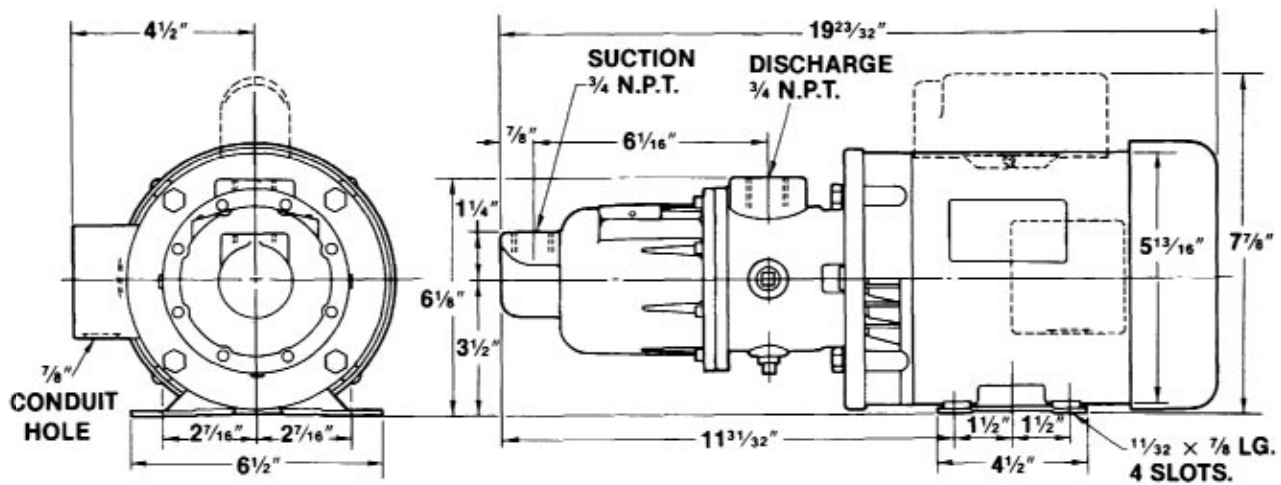


SPECIFICATION DATA
MOYNO® 500 PUMPS
300 SERIES MOTORIZED
331, 332, 333, 344, 356 AND 367 MODELS

331, 332, 333, 344 MODELS

DIMENSIONS

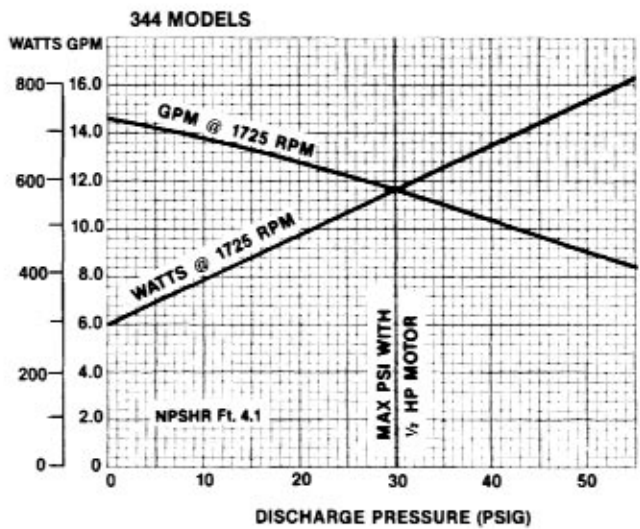
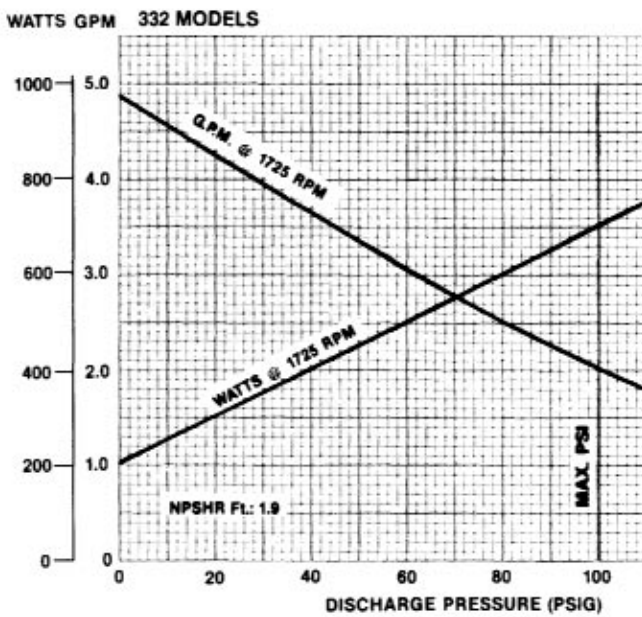
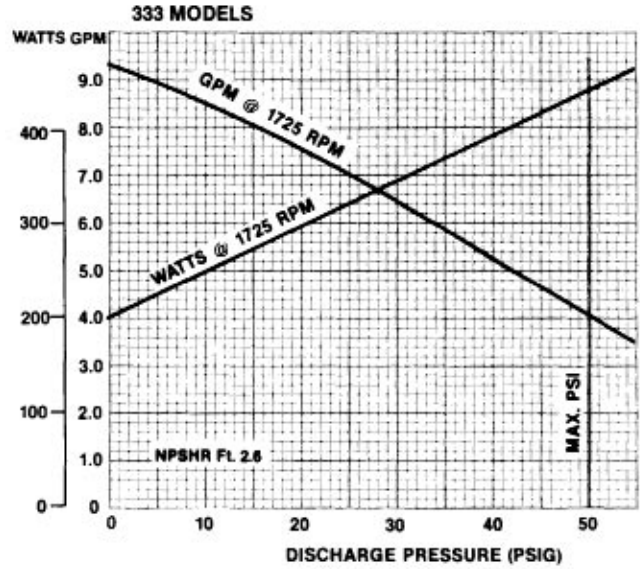
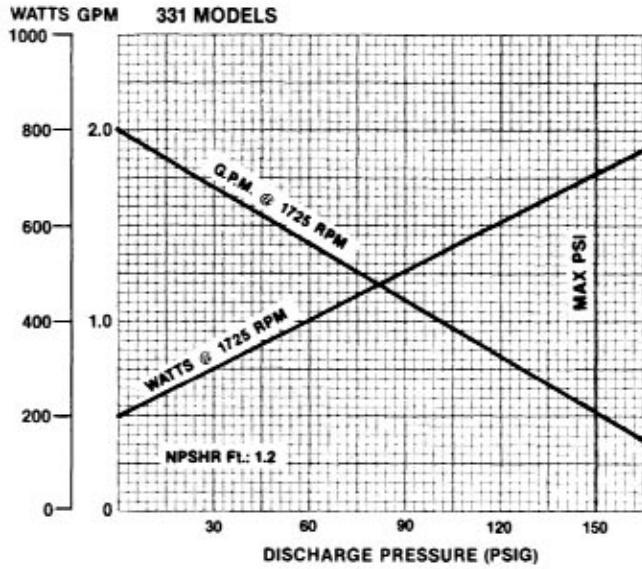


MATERIALS OF CONSTRUCTION

COMPONENT	MODELS			
	33159, 33259 33359, 34459	33160, 33260 33360, 34460	33152, 33252 33352, 34452	33150, 33250 33350, 34450
Housing	Cast iron	Cast iron	316SS	316SS
Rotor	416 SS/CP	416 SS/CP	316 SS/CP	316 SS/CP
Stator	NBR (Nitrile)	NBR (Nitrile)	NBR (Nitrile)	NBR (Nitrile)
Motor Data	1/2 HP, 1 PH 115/230 VAC 60 HZ TEFC	1/2 HP, 3 PH 230/440 VAC 60 HZ TEFC	1/2 HP, 1 PH 115/230 VAC 60 HZ TEFC	1/2 HP, 3 PH 230/440 VAC 60 HZ TEFC
Weight (lbs)	41	41	41	41

CP = Chrome plated

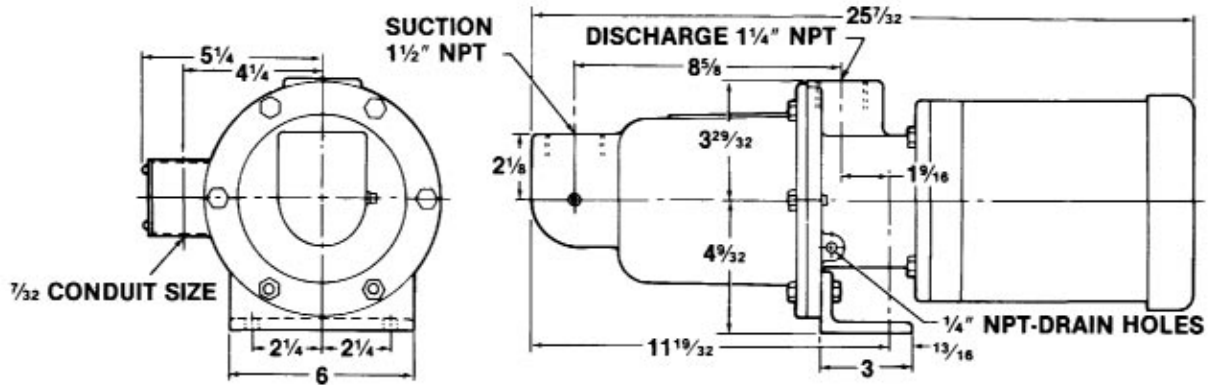
PERFORMANCE (Water at 70°F)



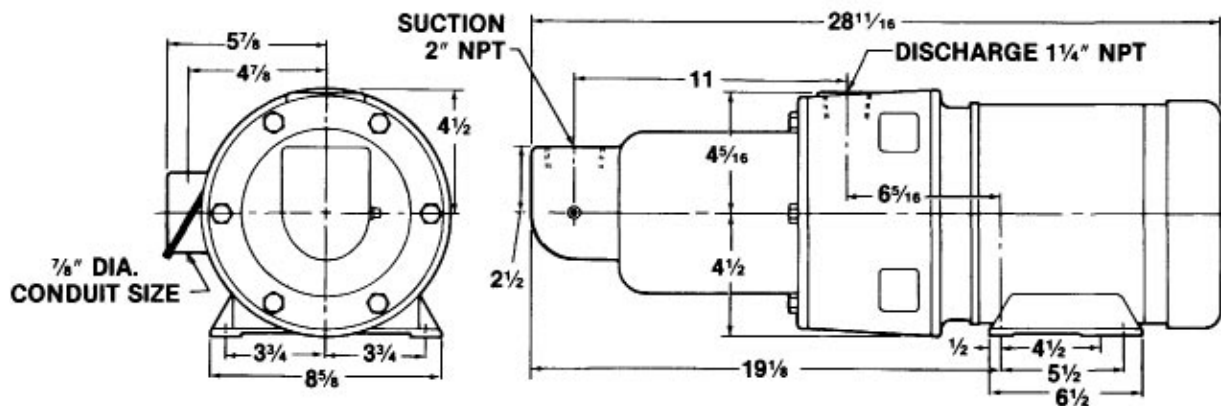
NOTE: With the standard 1/2 HP motor, maximum fluid viscosity is 100 CP (500 SSU).

356 AND 367 MODELS DIMENSIONS

Model 35651



Model 36751



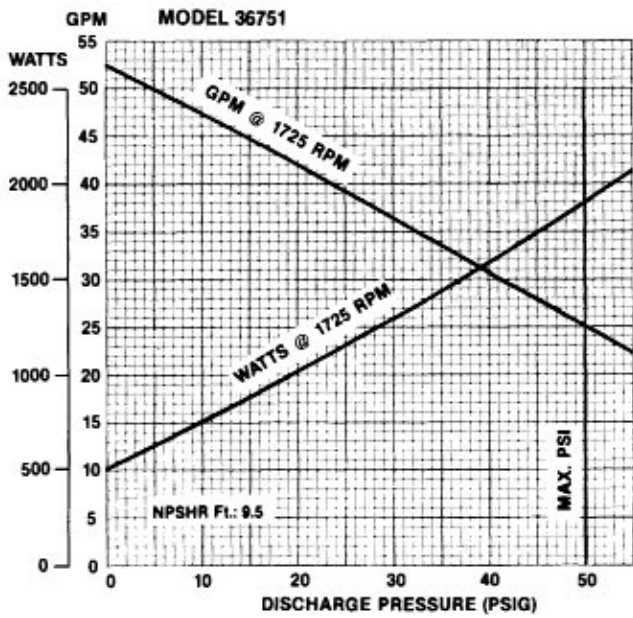
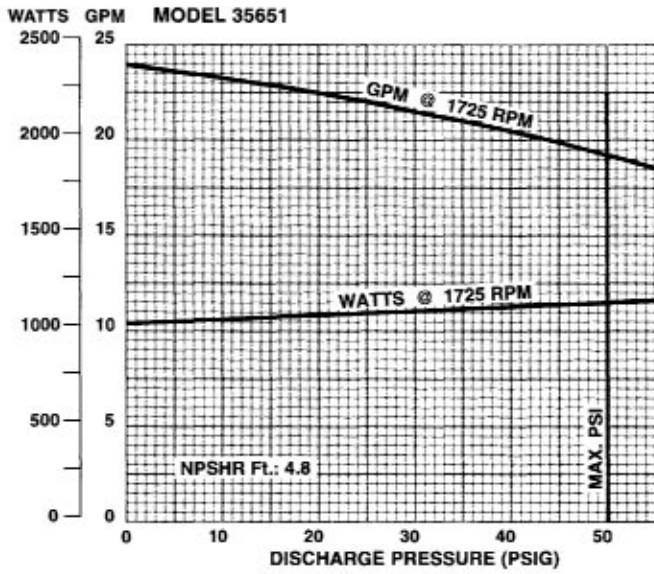
All dimensions are in inches.
Specifications subject to change without notice.

MATERIALS OF CONSTRUCTION

COMPONENT	MODELS					
	35651	36751	35650	35652	36750	36752
Housing	Cast iron	Cast iron	316 SS	316 SS	316 SS	316 SS
Rotor	416 SS/CP	416 SS/CP	316 SS/CP	316 SS/CP	316 SS/CP	316 SS/CP
Stator	NBR (Nitrile)	NBR (Nitrile)	NBR (Nitrile)	NBR (Nitrile)	NBR (Nitrile)	NBR (Nitrile)
Motor Data	1-1/2 HP, 3 PH 208/230/440 VAC 60 HZ TEFC	2 HP, 3 PH 230/440 VAC 60 HZ TEFC	1-1/2 HP, 3 PH 230/460 VAC 60 HZ TEFC	1-1/2 HP, 1 PH 115/230 VAC 60 HZ TEFC	2HP, 3 PH 230/460 VAC 60 HZ TEFC	2 HP, 1 PH 115/230 VAC 60 HZ TEFC
Weight (lbs)	68	115	68	68	115	115

CP = Chrome plated

PERFORMANCE (Water at 70°F)



NOTE: With the standard
1 1/2 HP (Model 35651)
2 HP (Model 36751)
motor, maximum fluid
viscosity is 100 CP
(500 SSU).