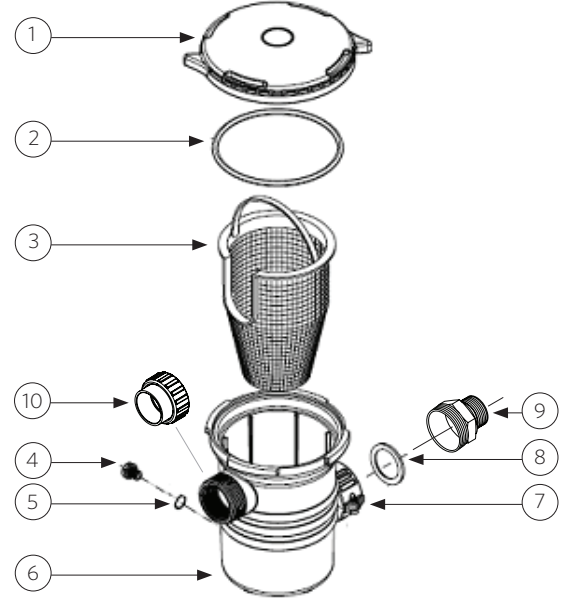


# BASKET STRAINER (WW)

# PARTS SHEET



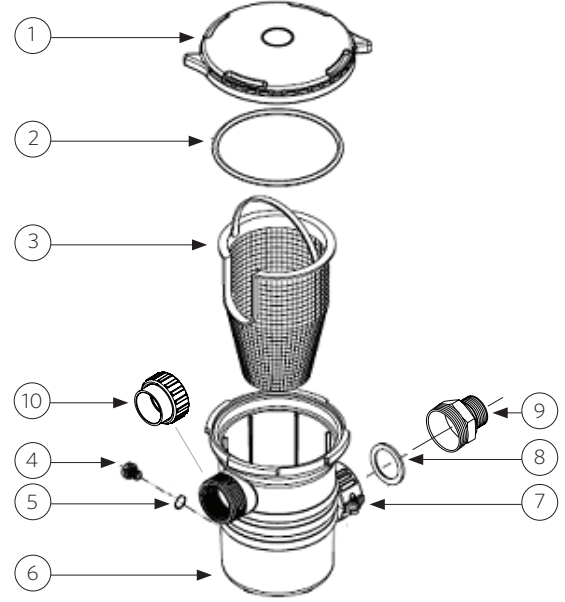
## Basket Strainer (WW)

Our light duty WW model strainers are sold with either a 1.5" or 2" union adapter. All units come complete with an internal strainer assembly and gasket seals. WW model strainers are designed, engineered, and produced in the USA.

#		DESCRIPTION	PART NO.
	Complete Basket Strainer (WW) 1.5"	90 Cubic Inch Basket Strainer w/1.5" Adapter and Gasket	1000.771-1
1		Lid - 6" Trap - Self-Locking	1000.771-L
2		O-Ring - 6" Trap Lid	1000.771-O
3		6" Trap Basket Assembly With Handle	1000.771-B
4		3/8" Quarter Slot Plug	715-1201
5		O-Ring - Pump Drain Plug	805-0112
6		6" Trap Body - 1.5" FPT / 1.5" Buttress x 1.5" Union Flange	1000.771-P
7		1.5" Split Nut Union Buttress	415-5161
8		2" Union Gasket (Qty. 2)	1000.771-G
9		2" Union Nut x 1.5" Slip w/ 1.5" MPT Glued Nipple	1000.771-1.5
10		2" Union Nut w/2" Slip Tailpiece	1000.771-2
	Complete Basket Strainer (WW) 2"	90 Cubic Inch Basket Strainer w/2" Adapter and Gasket	1000.771-7
1		Lid - 6" Trap - Self-Locking	1000.771-L
2		O-Ring - 6" Trap Lid	1000.771-O
3		6" Trap Basket Assembly With Handle	1000.771-B
4		3/8" Quarter Slot Plug	715-1201
5		O-Ring - Pump Drain Plug	805-0112
6		6" Trap Body - 2" FPT / 2" Buttress x 2" Union Flange	1000.771-P
7		1.5" Split Nut Union Buttress	415-5161
8		2" Union Gasket (Qty. 2)	1000.771-G
9		2" Heater Union x 2" MPT Fitting	417-5140
10		2" Union Nut w/2" Slip Tailpiece	1000.771-2

# BASKET STRAINER (WW)

# 2021 PARTS PRICING



## Basket Strainer (WW)

Our light duty WW model strainers are sold with either a 1.5" or 2" union adapter. All units come complete with an internal strainer assembly and gasket seals. WW model strainers are designed, engineered, and produced in the USA.

#		DESCRIPTION	PART NO.	PRICE
	Complete Basket Strainer (WW) 1.5"	90 Cubic Inch Basket Strainer w/1.5" Adapter and Gasket	1000.771-1	128.00
1		Lid - 6" Trap - Self-Locking	1000.771-L	45.00
2		O-Ring - 6" Trap Lid	1000.771-O	15.00
3		6" Trap Basket Assembly With Handle	1000.771-B	28.00
4		3/8" Quarter Slot Plug	715-1201	4.00
5		O-Ring - Pump Drain Plug	805-0112	3.00
6		6" Trap Body - 1.5" FPT / 1.5" Buttress x 1.5" Union Flange	1000.771-P	66.00
7		1.5" Split Nut Union Buttress	415-5161	10.00
8		2" Union Gasket (Qty. 2)	1000.771-G	3.00
9		2" Union Nut x 1.5" Slip w/ 1.5" MPT Glued Nipple	1000.771-1.5	25.40
10		2" Union Nut w/2" Slip Tailpiece	1000.771-2	15.00
	Complete Basket Strainer (WW) 2"	90 Cubic Inch Basket Strainer w/2" Adapter and Gasket	1000.771-7	128.00
1		Lid - 6" Trap - Self-Locking	1000.771-L	45.00
2		O-Ring - 6" Trap Lid	1000.771-O	15.00
3		6" Trap Basket Assembly With Handle	1000.771-B	28.00
4		3/8" Quarter Slot Plug	715-1201	4.00
5		O-Ring - Pump Drain Plug	805-0112	3.00
6		6" Trap Body - 2" FPT / 2" Buttress x 2" Union Flange	1000.771-P	66.00
7		1.5" Split Nut Union Buttress	415-5161	10.00
8		2" Union Gasket (Qty. 2)	1000.771-G	3.00
9		2" Heater Union x 2" MPT Fitting	417-5140	10.90
10		2" Union Nut w/2" Slip Tailpiece	1000.771-2	15.00