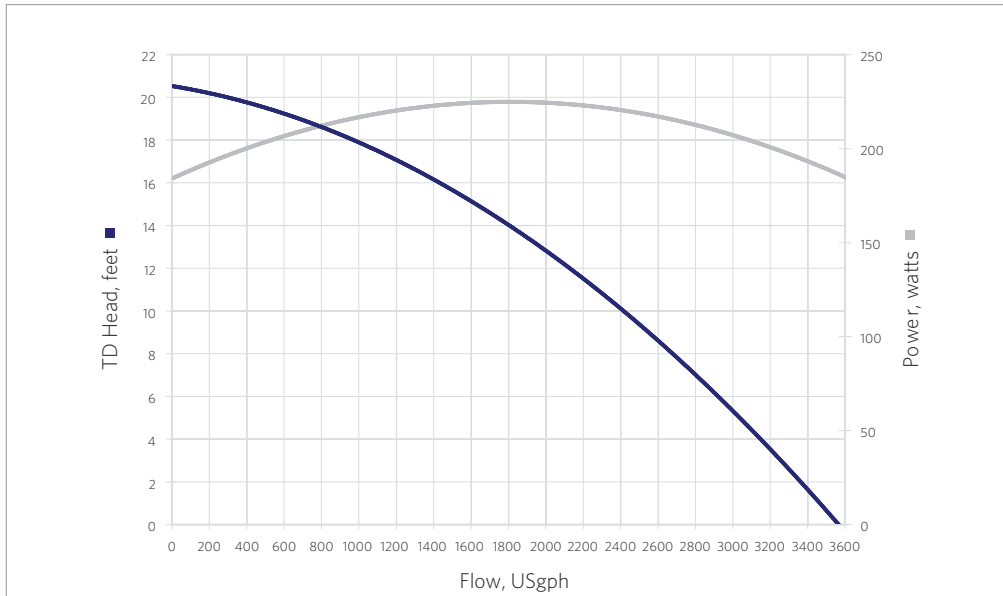


\*Dimensions and illustrations are approximate and for reference only.

**Sequence® 4000 Series - Model 3600SEQ20**

The expansive design meets today's increased market demand for performance on all levels. Peak performance of 3600 Gallons Per Hour while only requiring 227 Watts.



Flow At Total Dynamic Head	4'	8'	12'	16'	20'
GPM	52	44	35	24	4
GPH	3120	2640	2100	1440	240



5 YEAR LIMITED WARRANTY



8 FOOT CORD SET

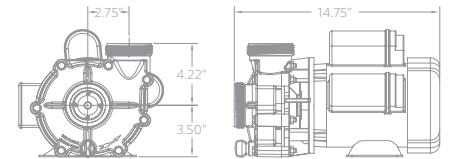
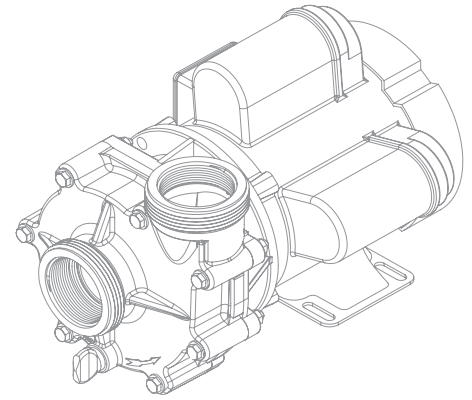


TEFC FAN COOLED MOTOR

MODEL	3600SEQ20
INLET	2"
DISCHARGE	2"
MAX FLOW (gph)	3600
MAX HEAD (feet)	20.5'
MAX POWER (watts)	227
MAX CURRENT (amps)	1.9
@ (volts)	115
MOTOR HP	1/3
MOTOR TYPE	56J
MOTOR ENCLOSURE	TEFC
IMPELLER	4



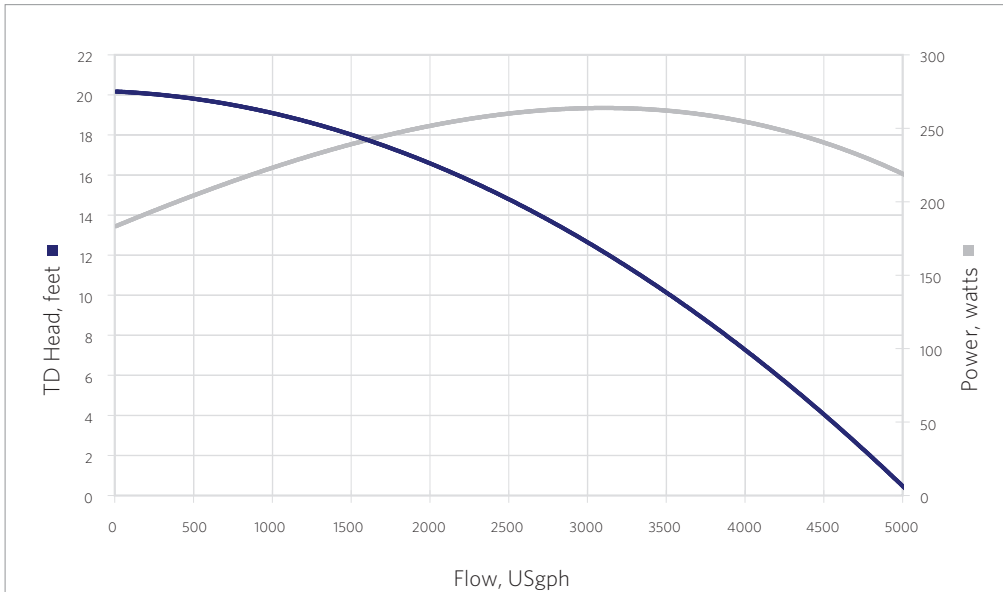




\*Dimensions and illustrations are approximate and for reference only.

**Sequence® 4000 Series - Model 5000SEQ20**

The expansive design meets today's increased market demand for performance on all levels. Peak performance of 5000 Gallons Per Hour while only requiring 263 Watts.



Flow At Total Dynamic Head	4'	8'	12'	16'	20'
GPM	75	64	52	36	2
GPH	4500	3840	3120	2160	120



5 YEAR LIMITED WARRANTY



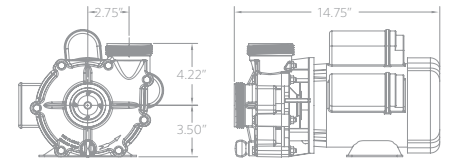
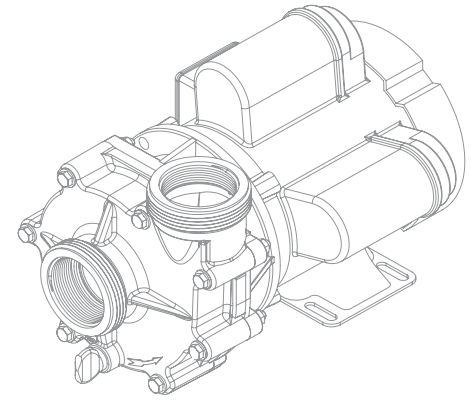
8 FOOT CORD SET



TEFC FAN COOLED MOTOR

MODEL	5000SEQ20
INLET	2"
DISCHARGE	2"
MAX FLOW (gph)	5000
MAX HEAD (feet)	20.2'
MAX POWER (watts)	263
MAX CURRENT (amps)	2.3
@ (volts)	115
MOTOR HP	1/3
MOTOR TYPE	56J
MOTOR ENCLOSURE	TEFC
IMPELLER	5

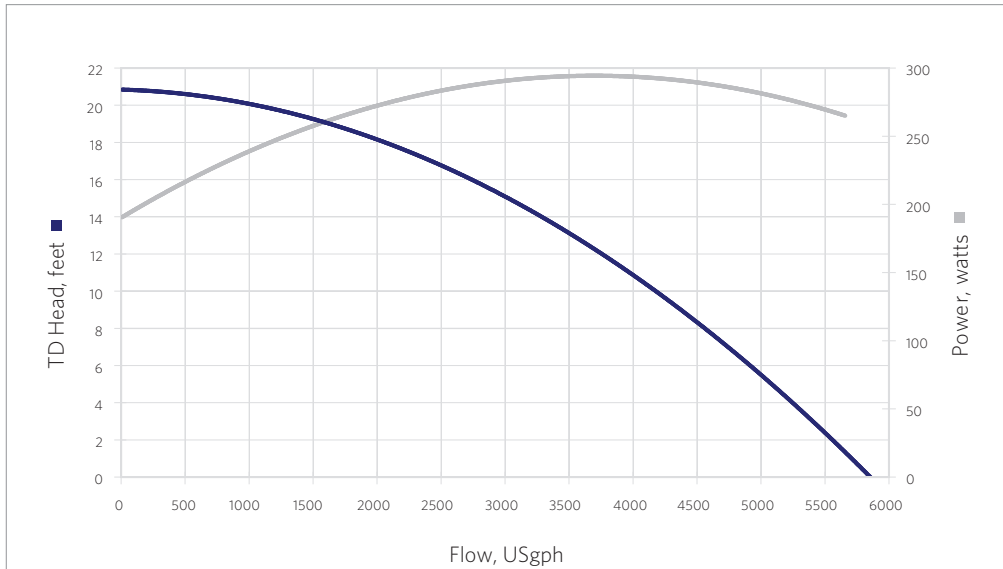




\*Dimensions and illustrations are approximate and for reference only.

**Sequence® 4000 Series - Model 5800SEQ21**

The expansive design meets today's increased market demand for performance on all levels. Peak performance of 5800 Gallons Per Hour while only requiring 296 Watts.



Flow At Total Dynamic Head	4'	8'	12'	16'	20'
GPM	87	75	62	46	16
GPH	5220	4500	3720	2760	960



5 YEAR LIMITED WARRANTY



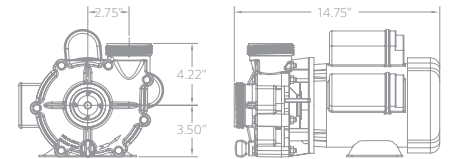
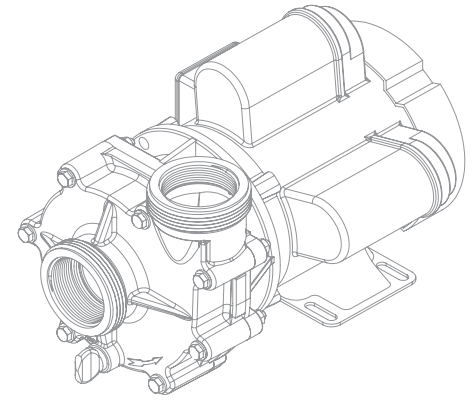
8 FOOT CORD SET



TEFC FAN COOLED MOTOR

MODEL	5800SEQ21
INLET	2"
DISCHARGE	2"
MAX FLOW (gph)	5800
MAX HEAD (feet)	21'
MAX POWER (watts)	296
MAX CURRENT (amps)	2.6
@ (volts)	115
MOTOR HP	1/3
MOTOR TYPE	56J
MOTOR ENCLOSURE	TEFC
IMPELLER	6

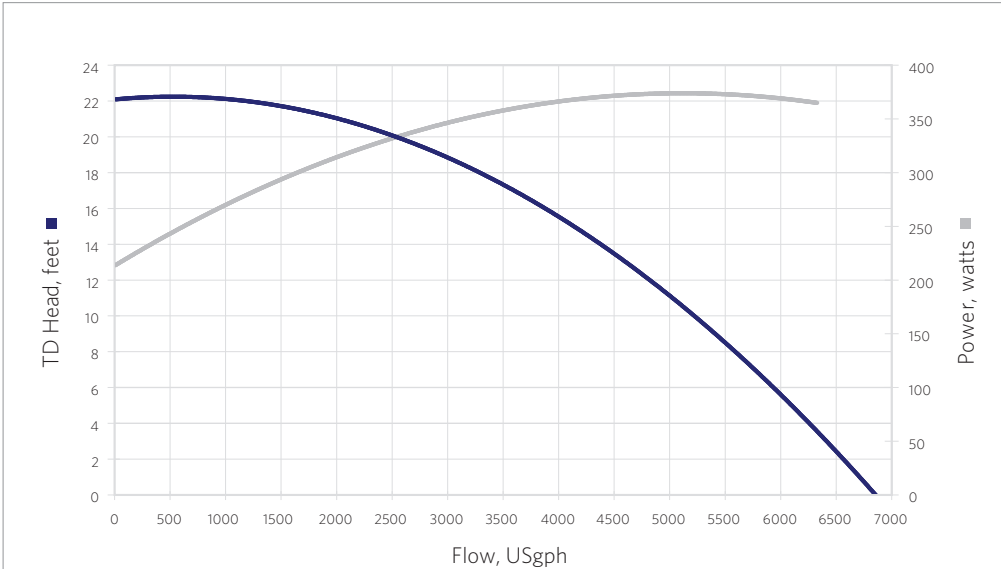




\*Dimensions and illustrations are approximate and for reference only.

**Sequence® 4000 Series - Model 6800SEQ22**

The expansive design meets today's increased market demand for performance on all levels. Peak performance of 6840 Gallons Per Hour while only requiring 376 Watts.



Flow At Total Dynamic Head	4'	8'	12'	16'	20'
GPM	104	93	80	64	42
GPH	6240	5580	4800	3840	2520



5 YEAR LIMITED WARRANTY



8 FOOT CORD SET

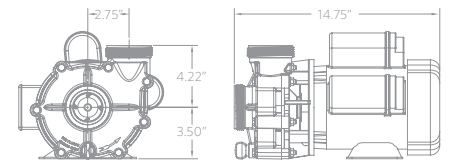
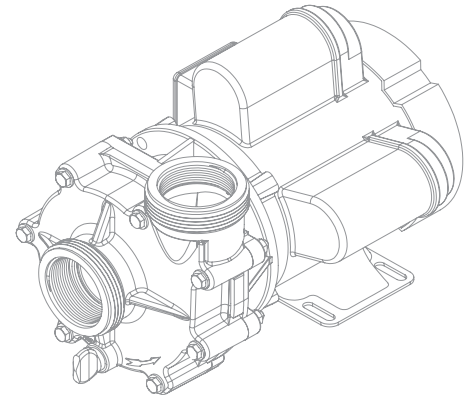


TEFC FAN COOLED MOTOR

MODEL	6800SEQ22
INLET	2"
DISCHARGE	2"
MAX FLOW (gph)	6840
MAX HEAD (feet)	22.2'
MAX POWER (watts)	376
MAX CURRENT (amps)	3.4
@ (volts)	115
MOTOR HP	½
MOTOR TYPE	56J
MOTOR ENCLOSURE	TEFC
IMPELLER	7







\*Dimensions and illustrations are approximate and for reference only.

**Sequence® 4000 Series - Model 8200SEQ22**

The expansive design meets today's increased market demand for performance on all levels. Peak performance of 8220 Gallons Per Hour while only requiring 450 Watts.



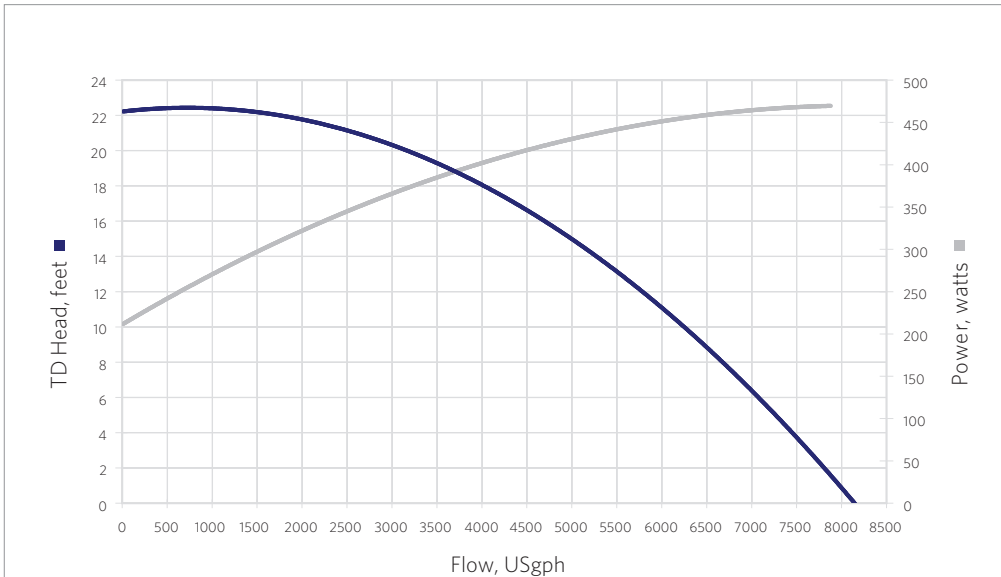
5 YEAR LIMITED WARRANTY



8 FOOT CORD SET



TEFC FAN COOLED MOTOR



Flow At Total Dynamic Head	4'	8'	12'	16'	20'
GPM	125	112	96	78	52
GPH	7500	6720	5760	4680	3120

MODEL	8200SEQ22
INLET	2"
DISCHARGE	2"
MAX FLOW (gph)	8220
MAX HEAD (feet)	22.3'
MAX POWER (watts)	450
MAX CURRENT (amps)	4
@ (volts)	115
MOTOR HP	½
MOTOR TYPE	56J
MOTOR ENCLOSURE	TEFC
IMPELLER	8

