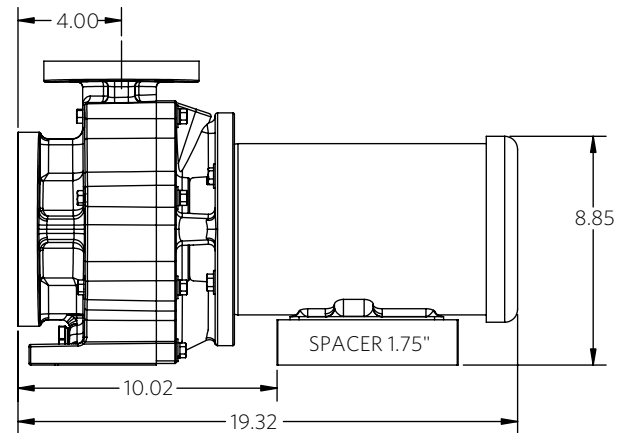
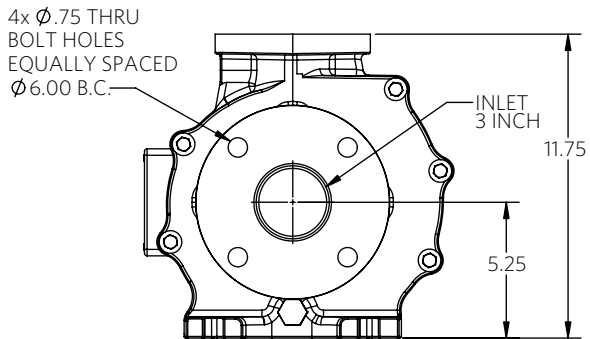
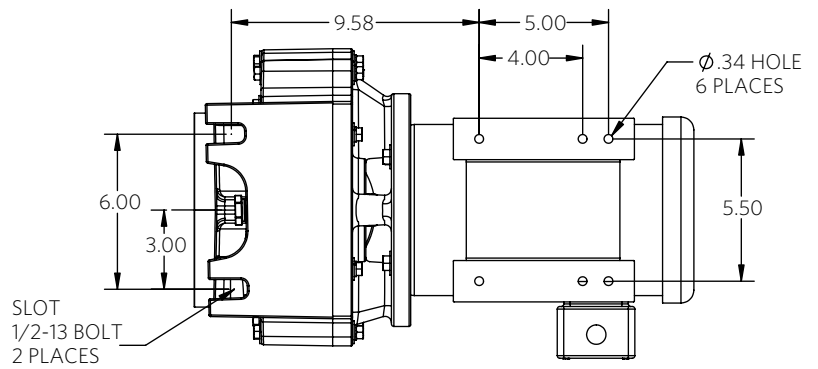
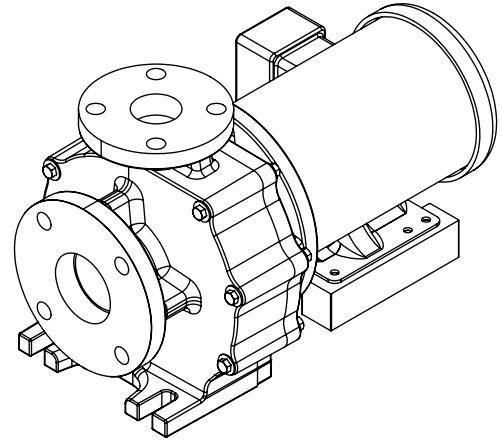
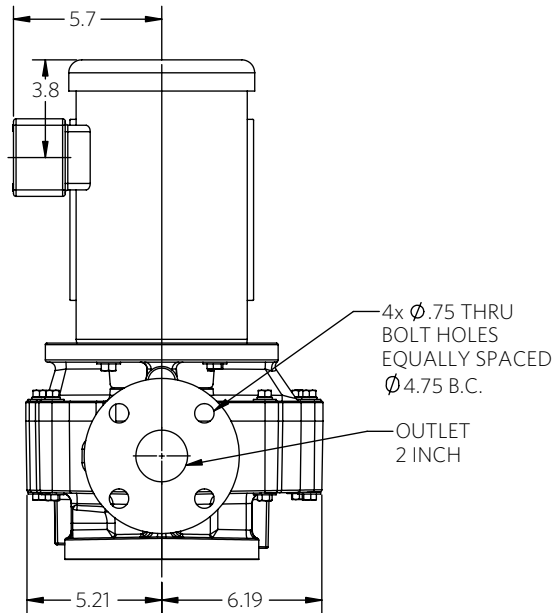
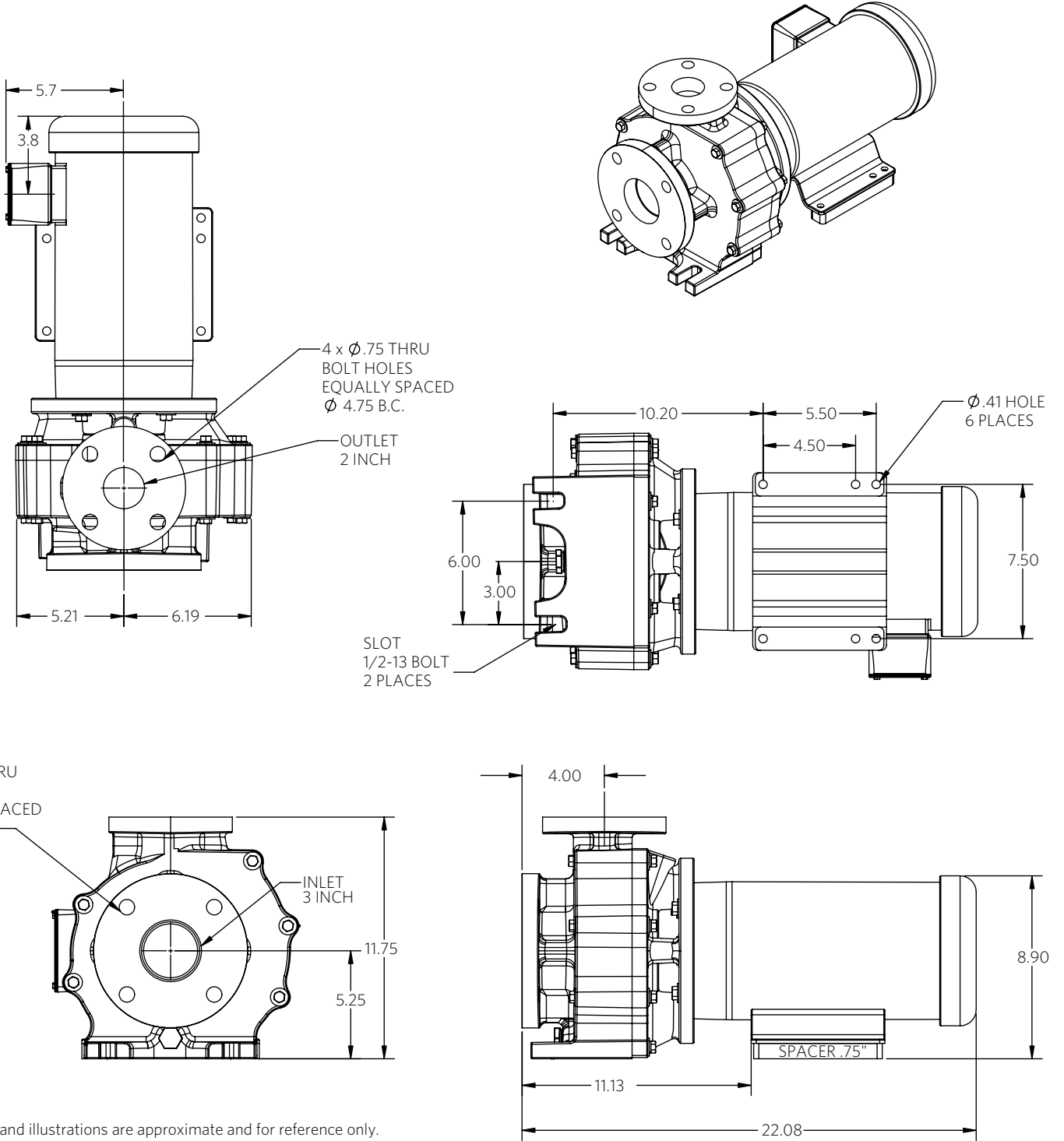


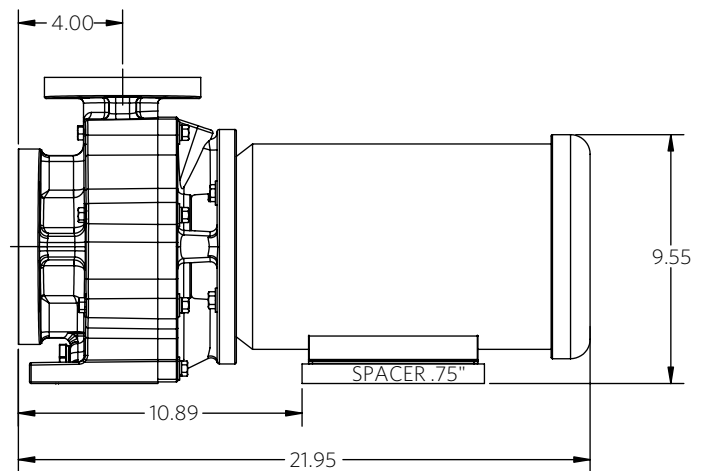
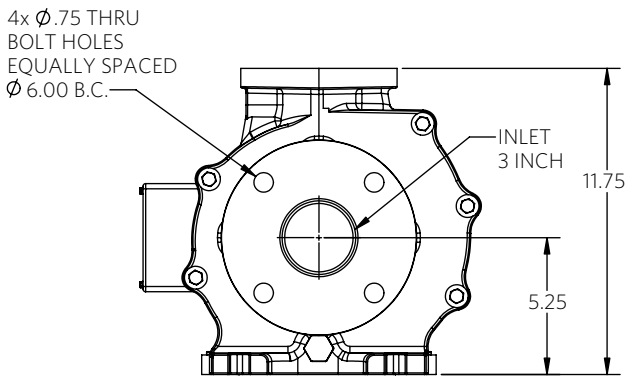
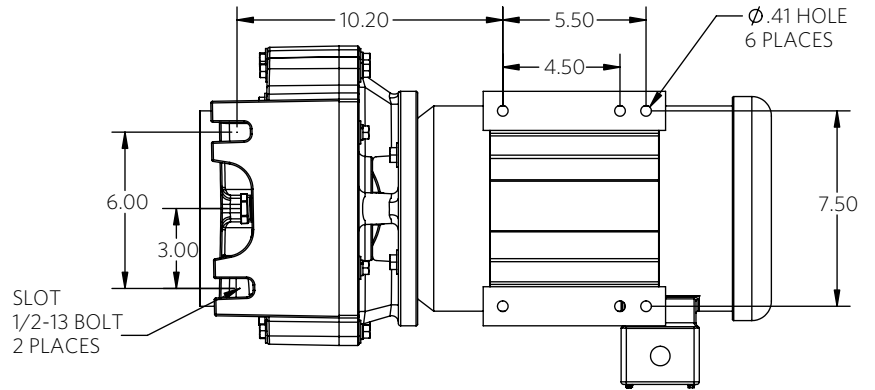
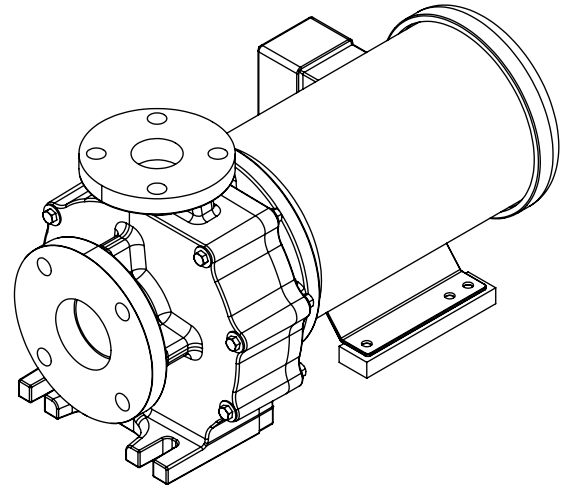
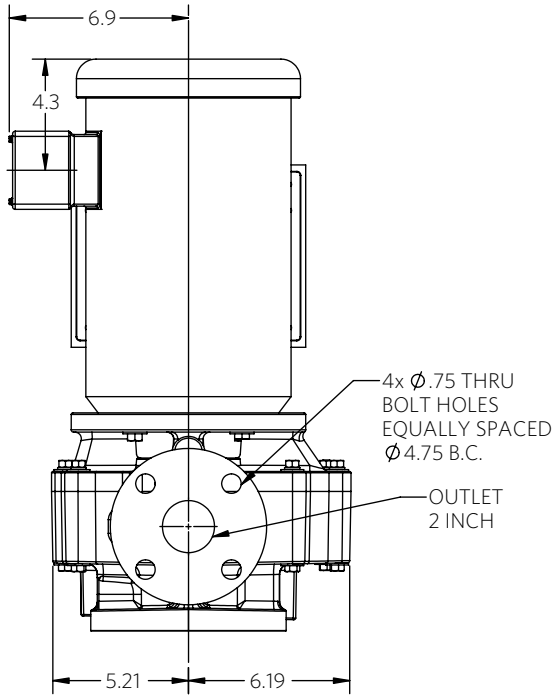
\*Dimensions and illustrations are approximate and for reference only. For engineering approved documentation contact MDM Inc.



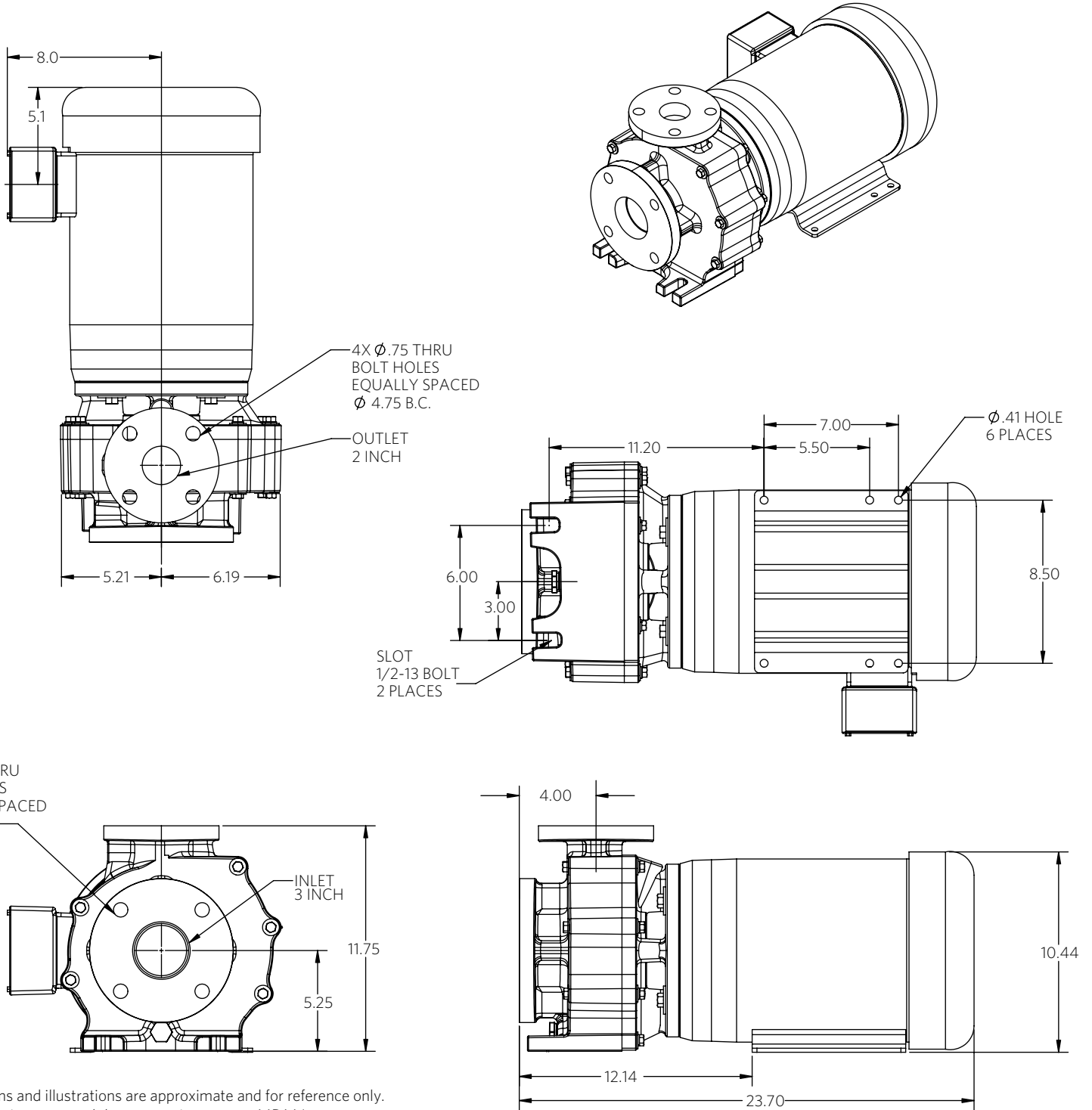
\*Dimensions and illustrations are approximate and for reference only. For engineering approved documentation contact MDM Inc.



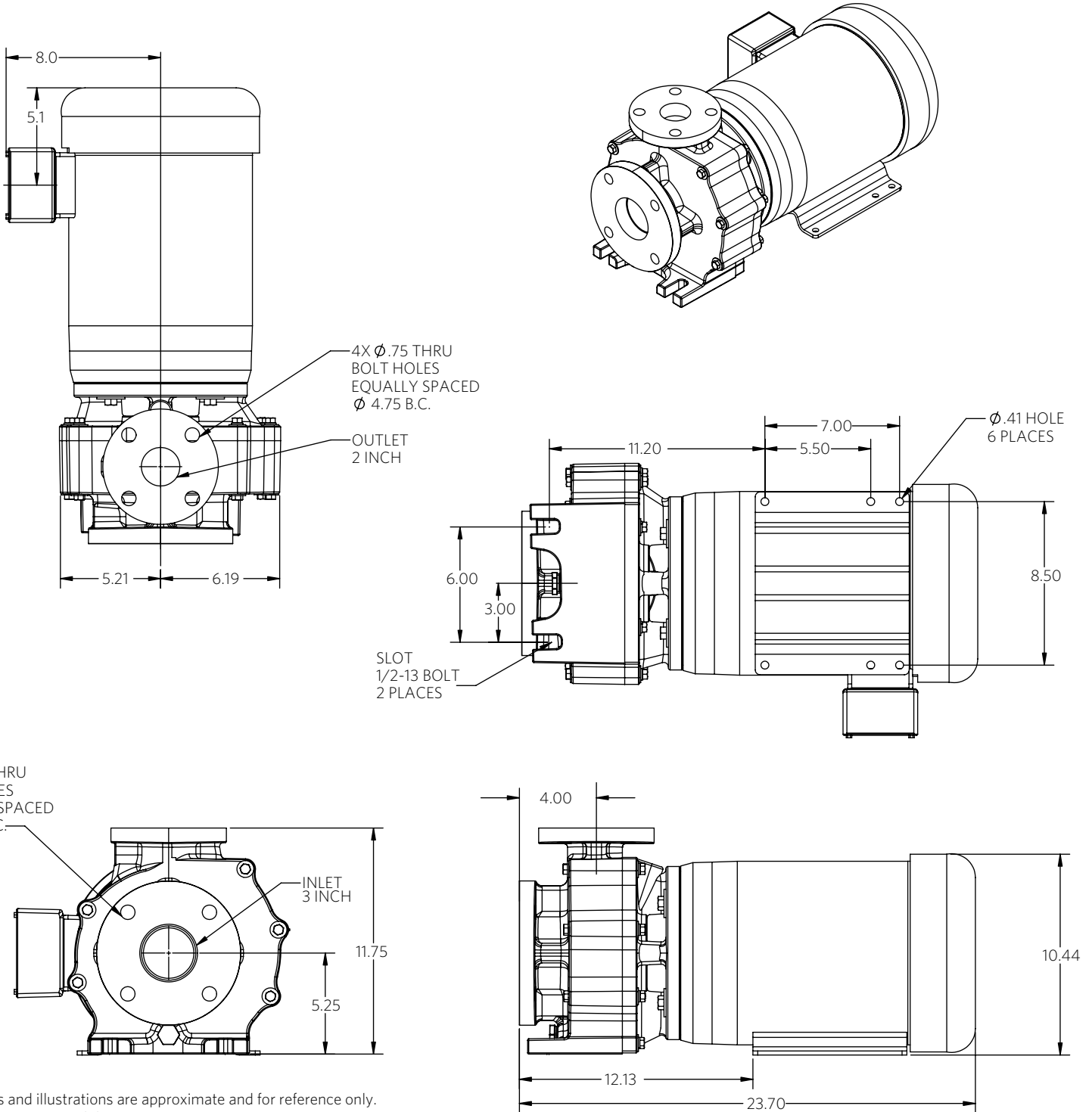
\*Dimensions and illustrations are approximate and for reference only.  
 For more information, please visit [www.genesyspumps.com](http://www.genesyspumps.com)



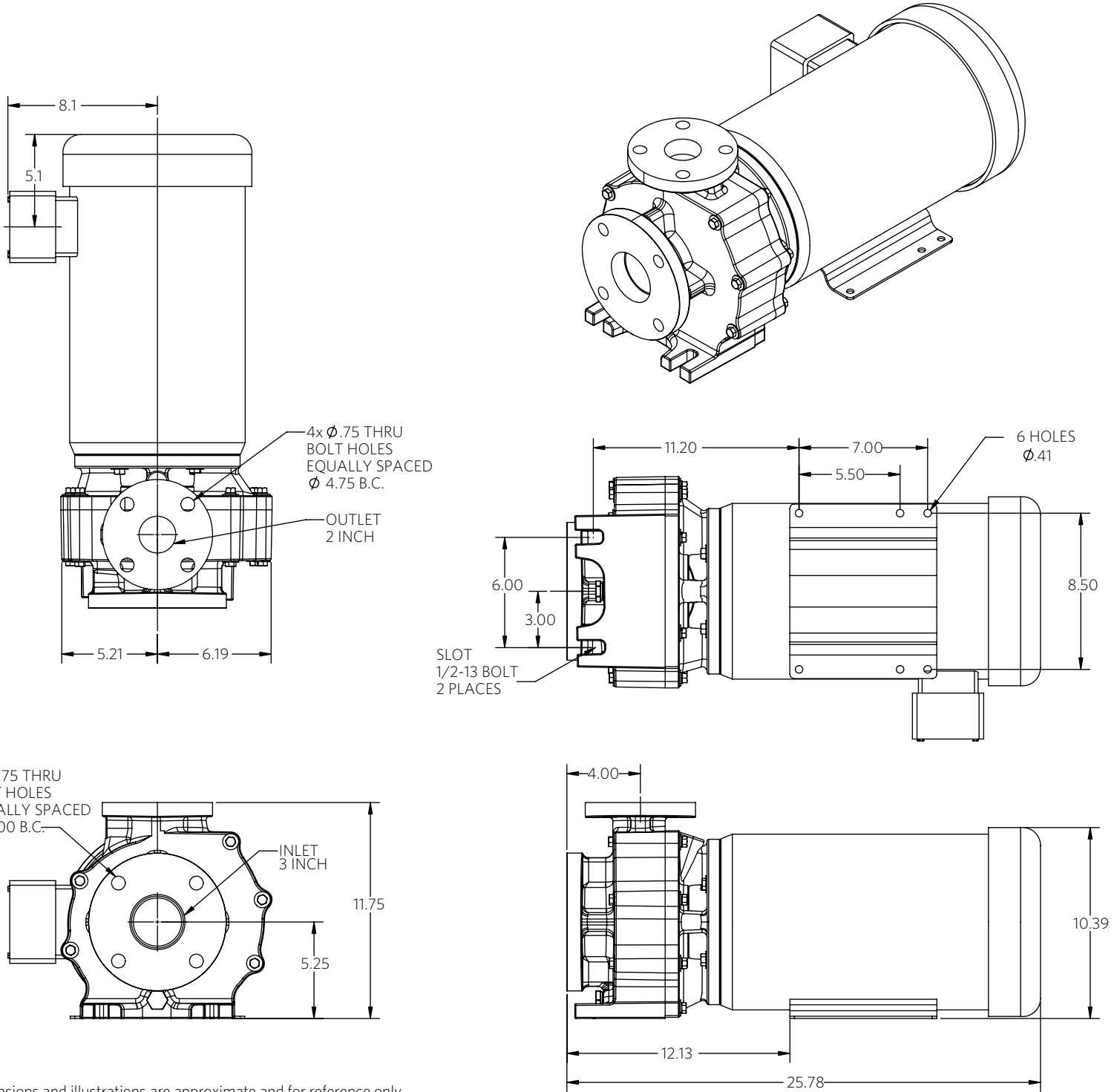
\*Dimensions and illustrations are approximate and for reference only. For engineering approved documentation contact MDM Inc.



\*Dimensions and illustrations are approximate and for reference only. For engineering approved documentation contact MDM Inc.



\*Dimensions and illustrations are approximate and for reference only. For engineering approved documentation contact MDM Inc.



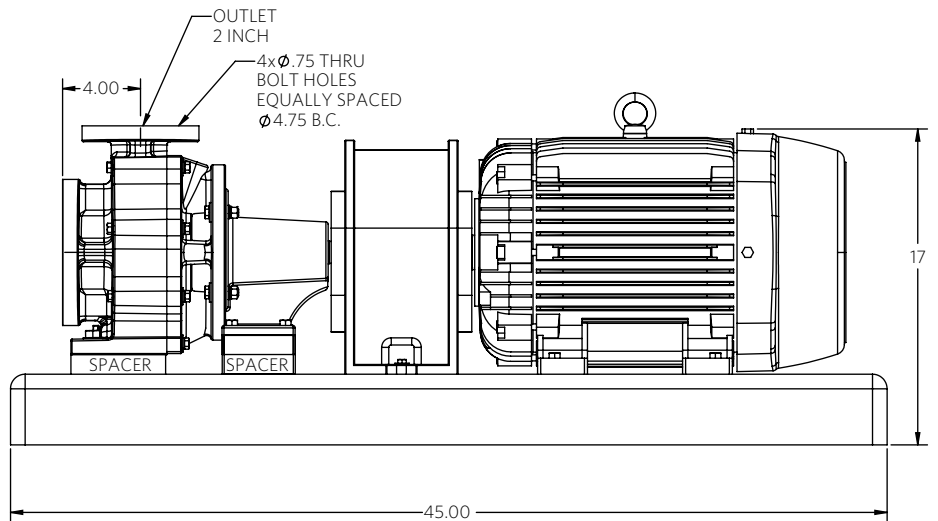
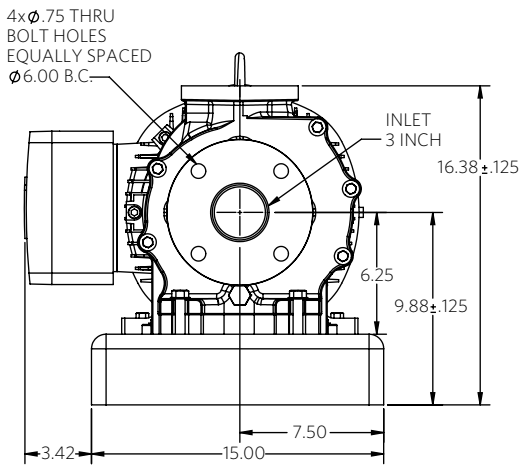
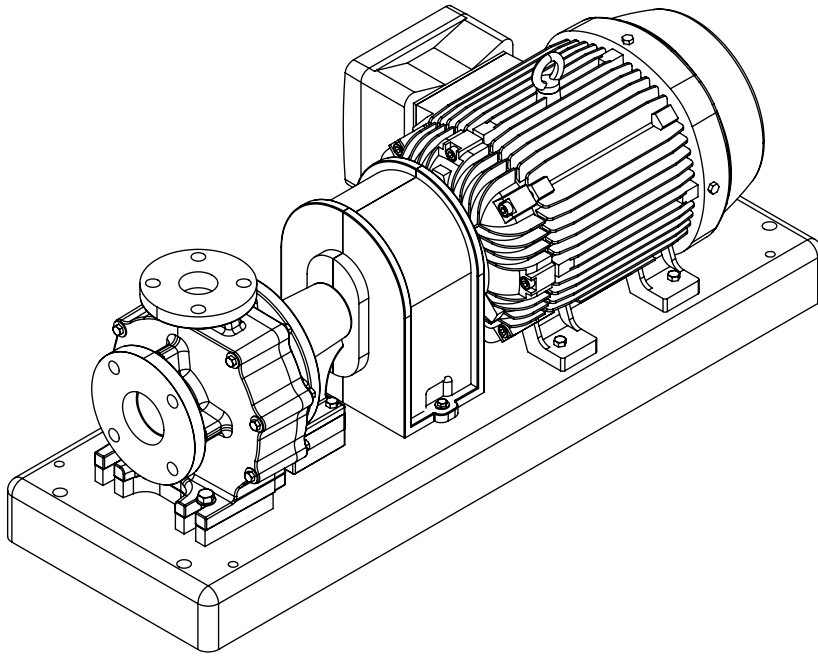
\*Dimensions and illustrations are approximate and for reference only. For engineering approved documentation contact MDM Inc.

Genesys® 3x2-6 Dimensional Drawings

G1X-43N-23-FP-AP

20 Horsepower

2 Pole

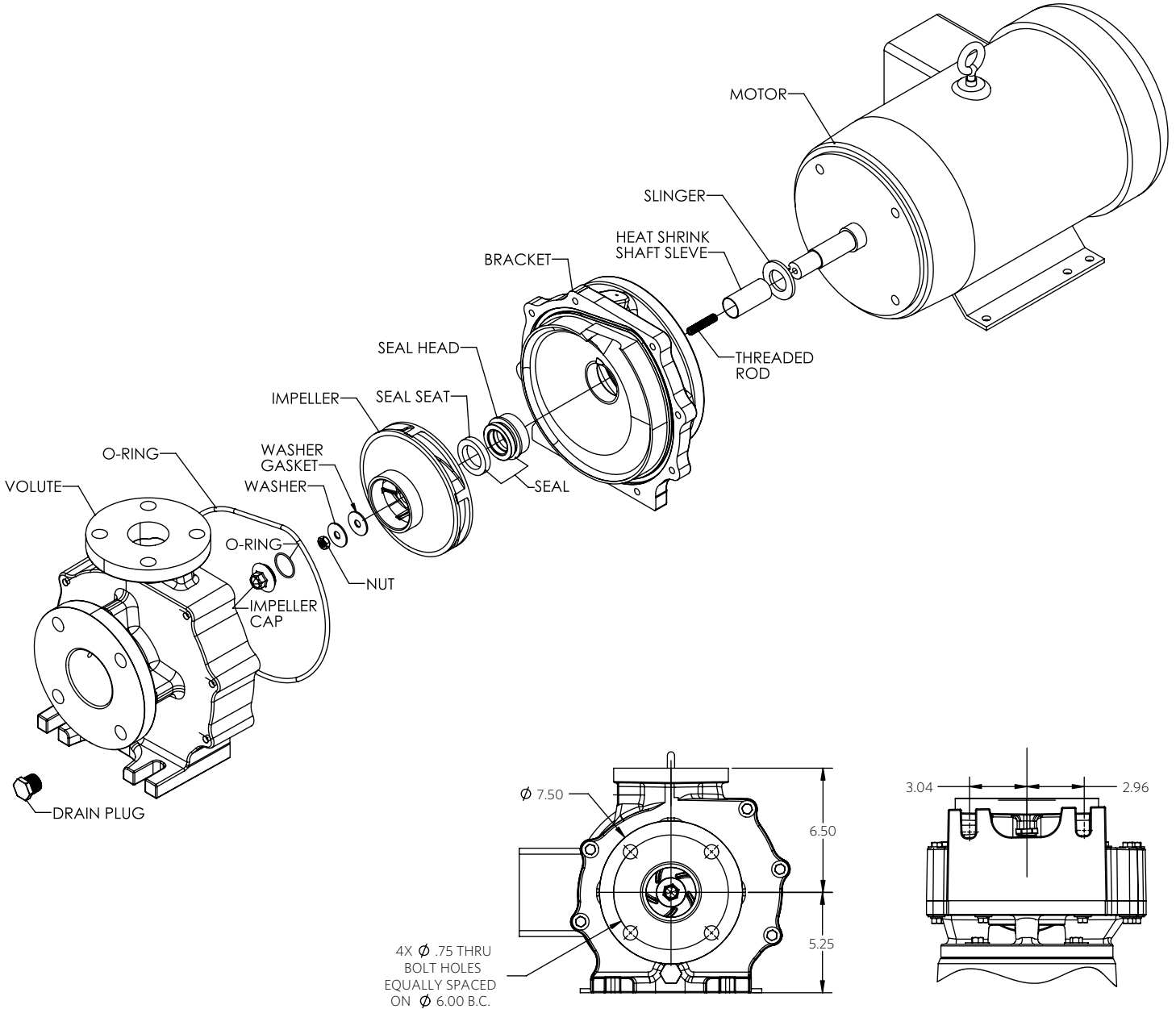


\*Dimensions and illustrations are approximate and for reference only. For engineering approved documentation contact MDM Inc.





Genesys® 3x2-6 Dimensional Drawings - 3x2-6 Exploded View and Wet End



\*Dimensions and illustrations are approximate and for reference only. For engineering approved documentation contact MDM Inc.