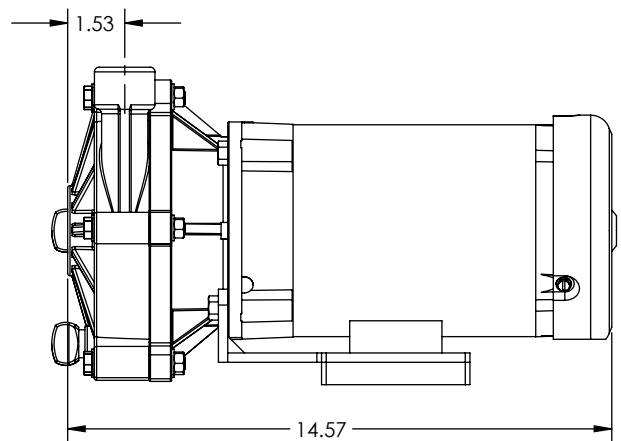
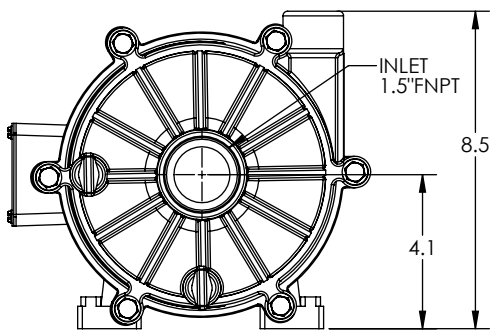
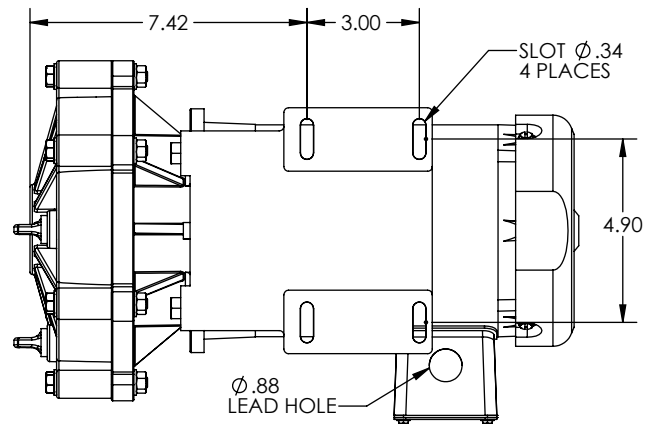
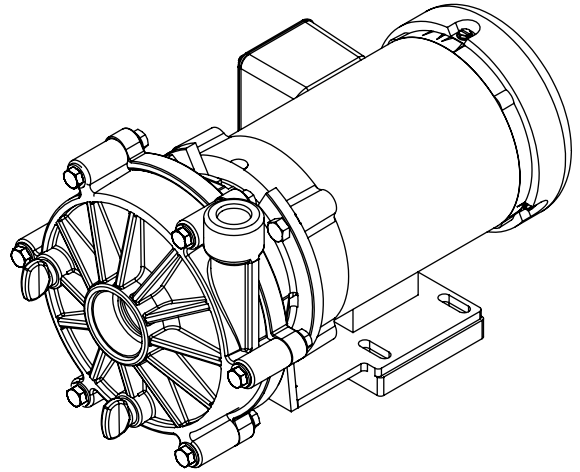
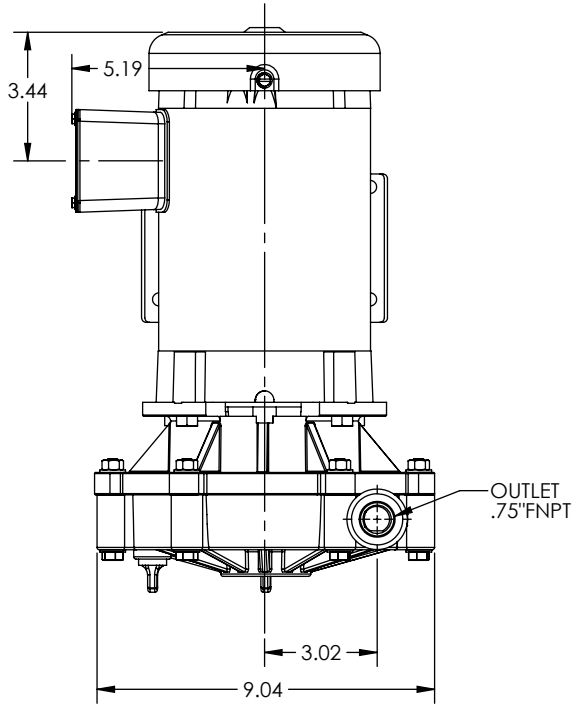
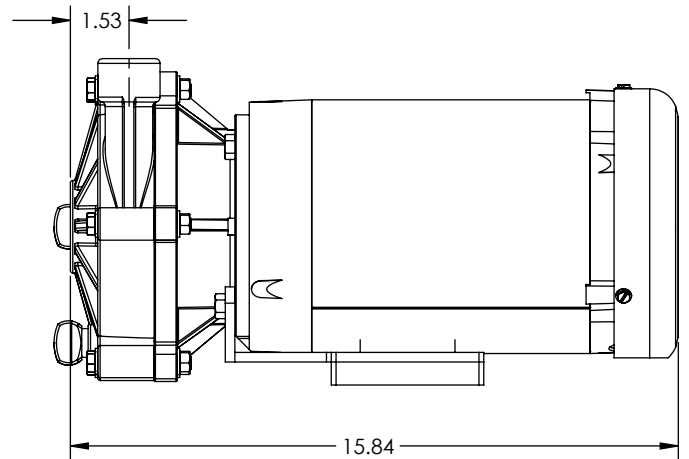
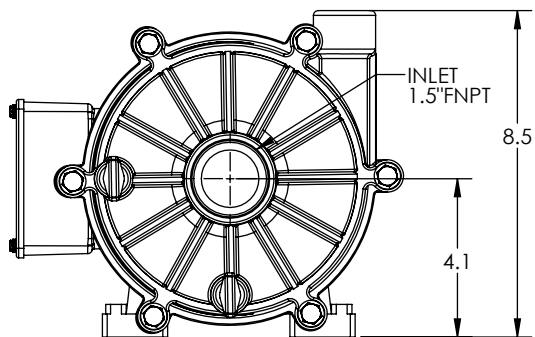
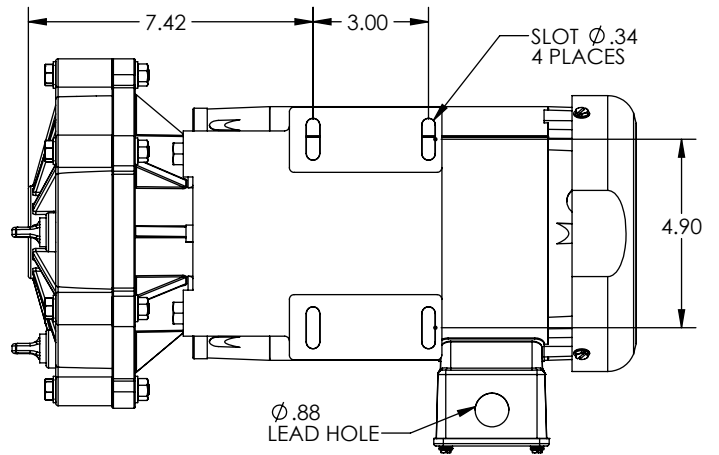
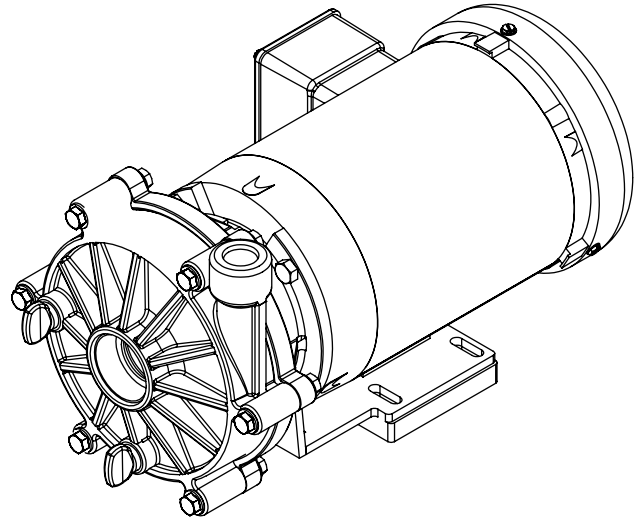
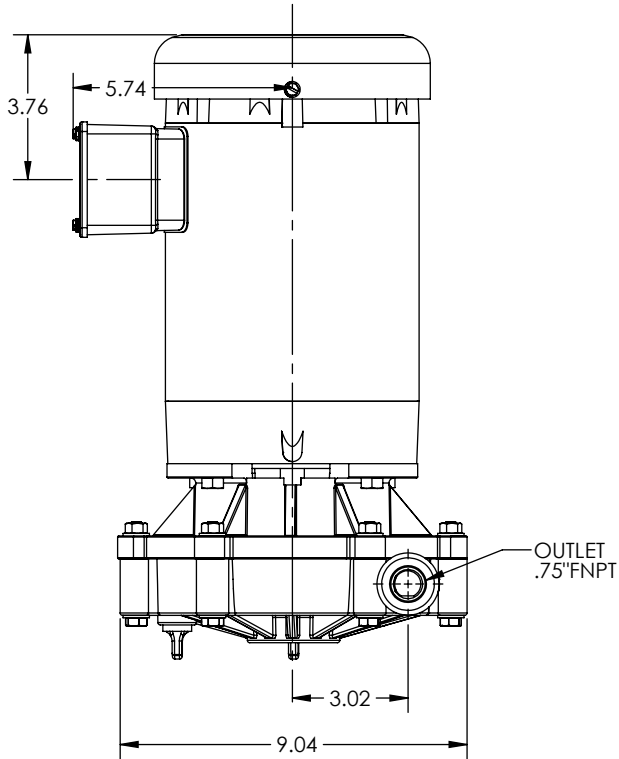


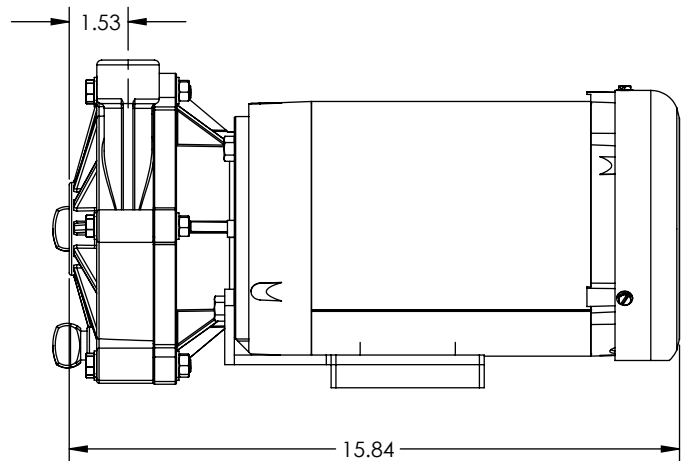
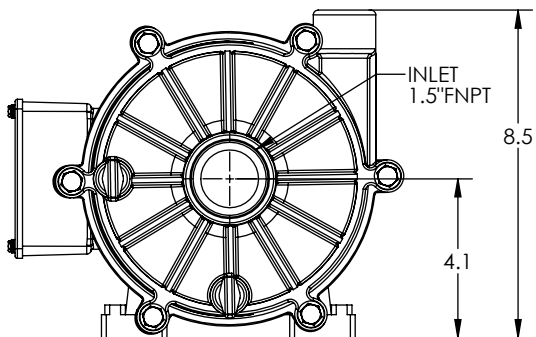
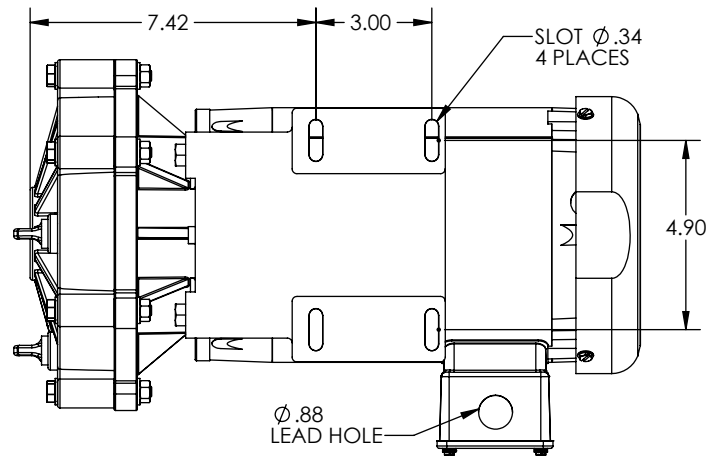
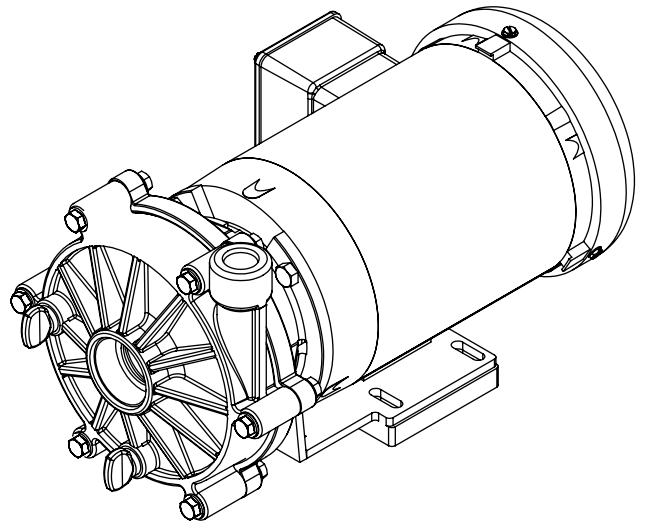
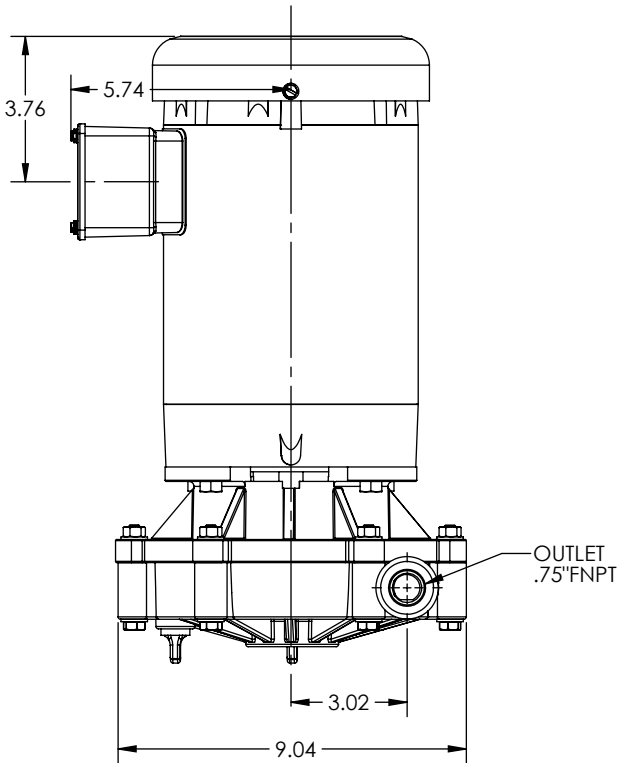
*Dimensions and illustrations are approximate and for reference only.
For engineering approved documentation contact MDM Inc.



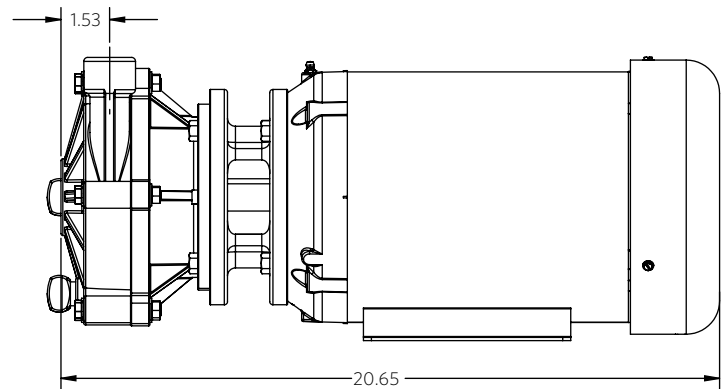
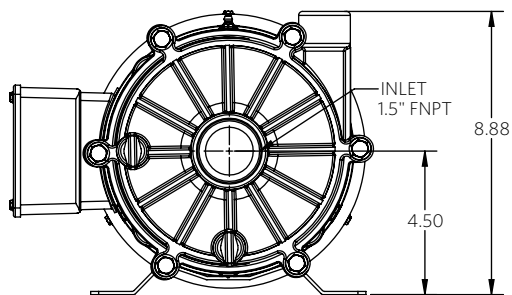
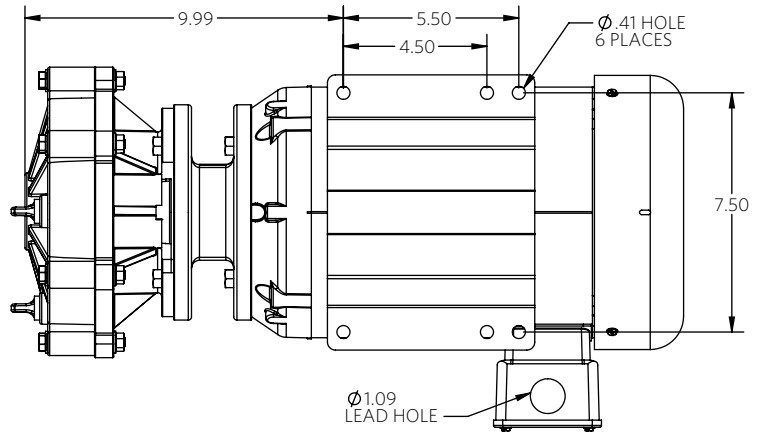
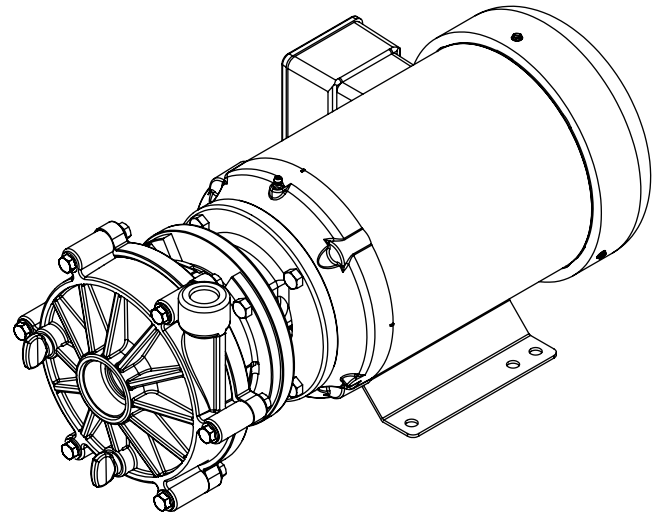
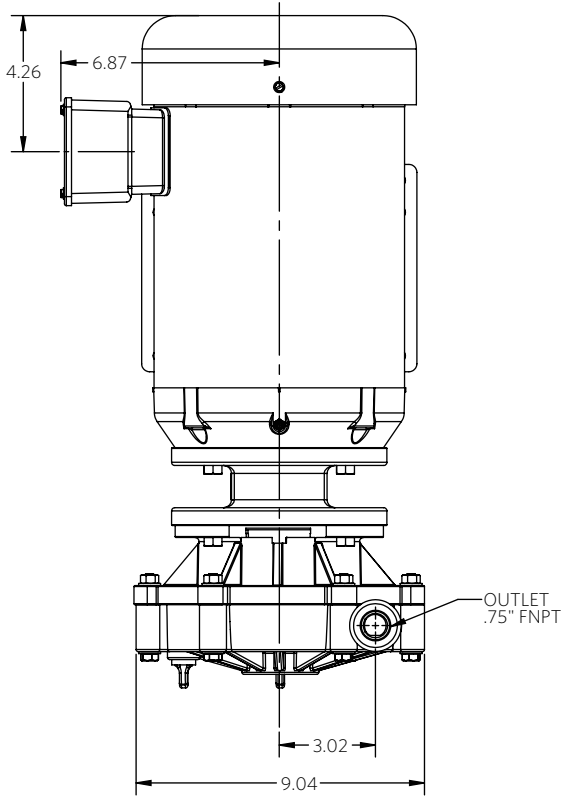
*Dimensions and illustrations are approximate and for reference only.
For engineering approved documentation contact MDM Inc.



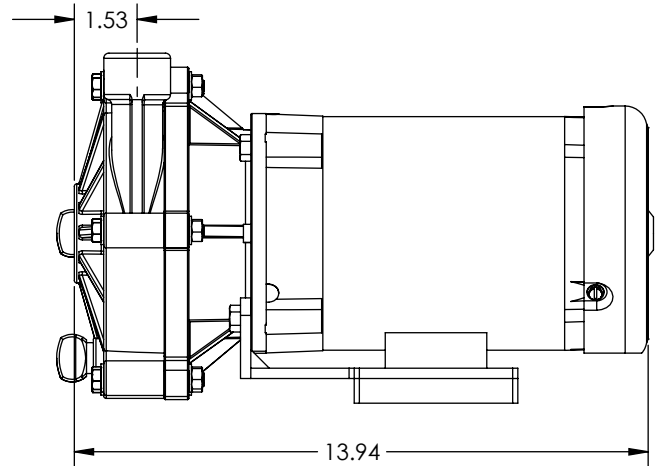
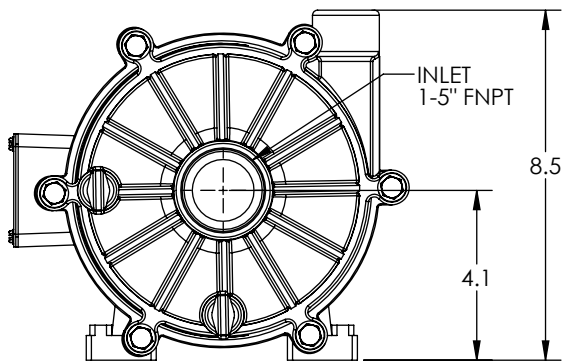
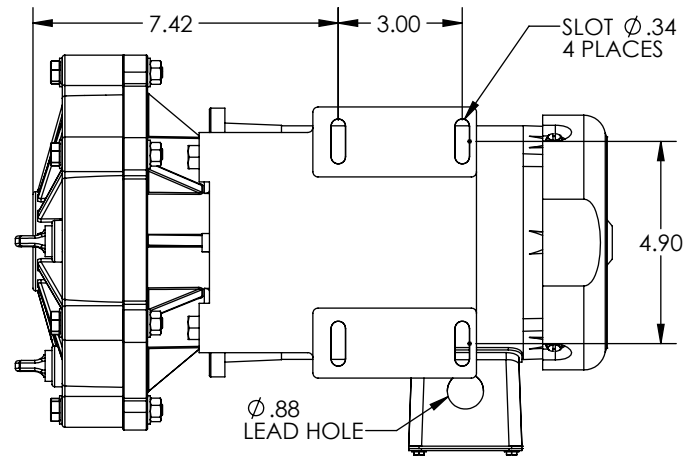
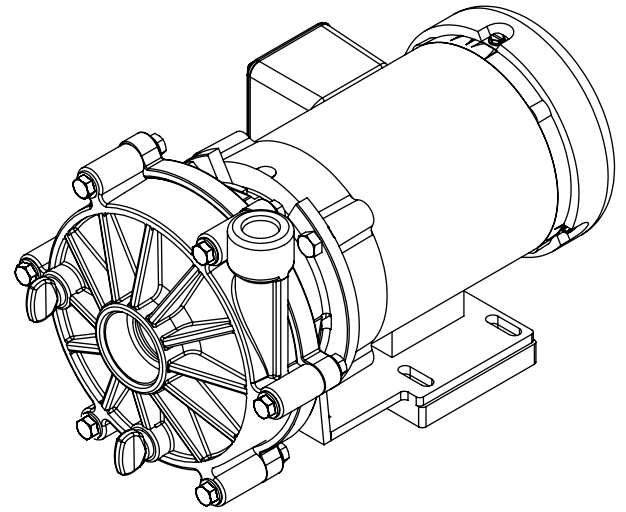
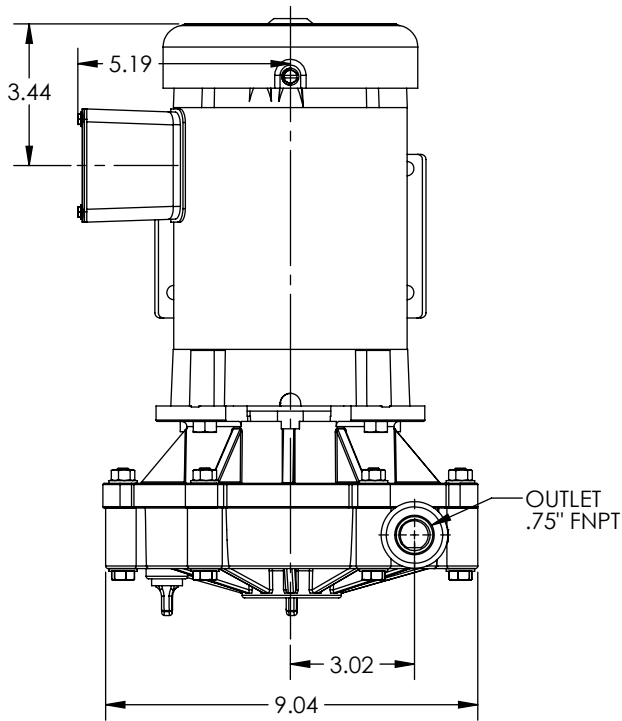
*Dimensions and illustrations are approximate and for reference only. For engineering approved documentation contact MDM Inc.



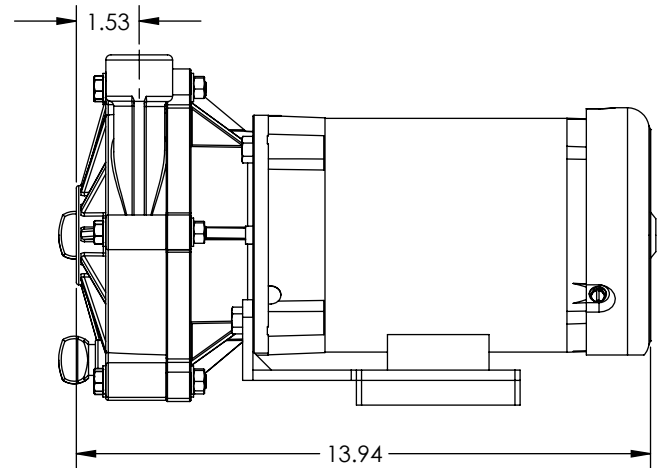
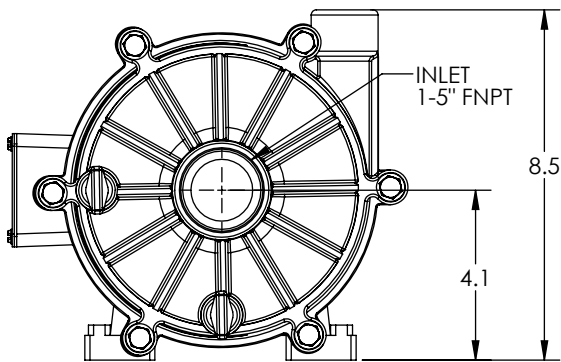
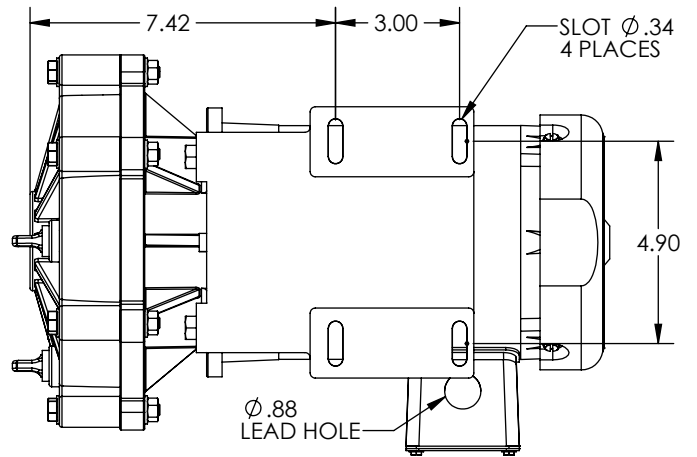
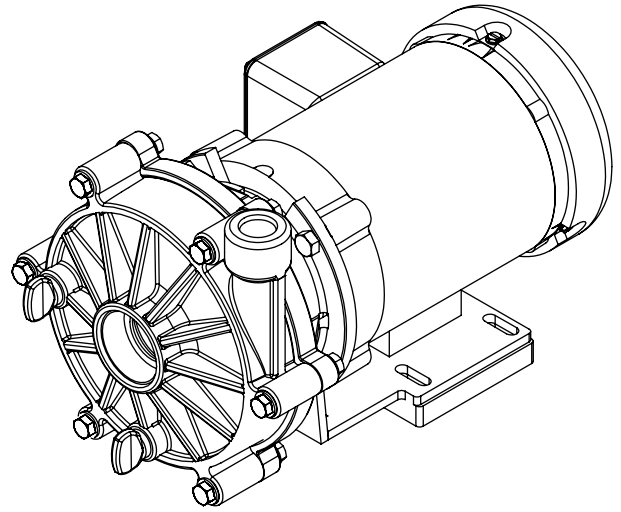
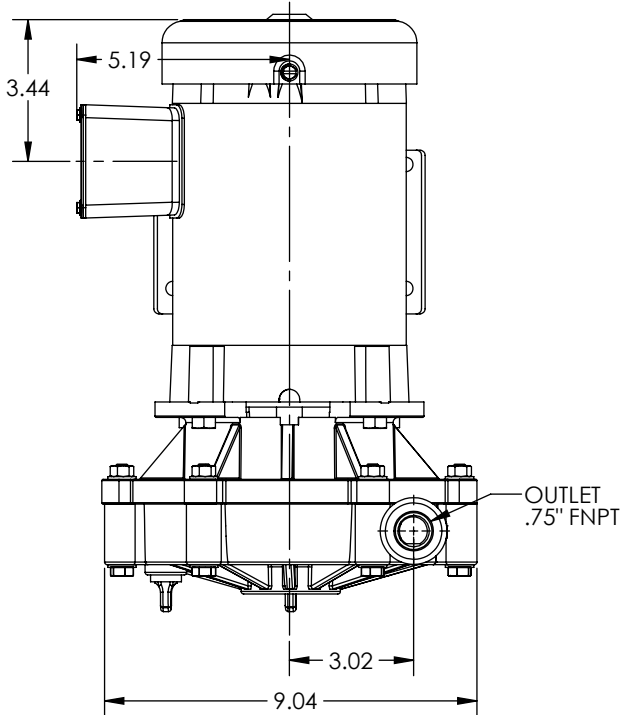
*Dimensions and illustrations are approximate and for reference only. For engineering approved documentation contact MDM Inc.



*Dimensions and illustrations are approximate and for reference only. For engineering approved documentation contact MDM Inc.

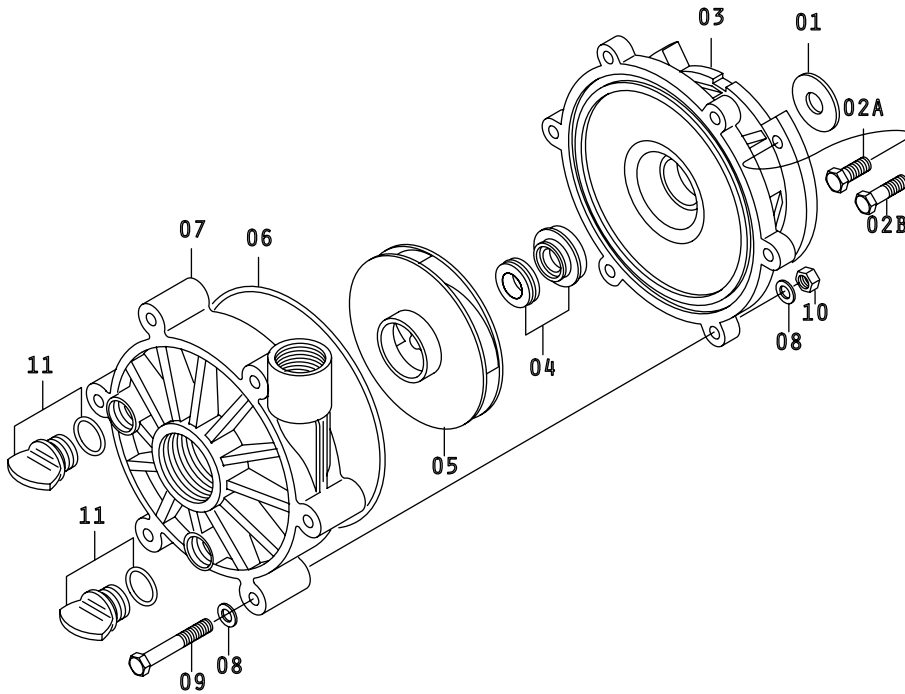


*Dimensions and illustrations are approximate and for reference only. For engineering approved documentation contact MDM Inc.

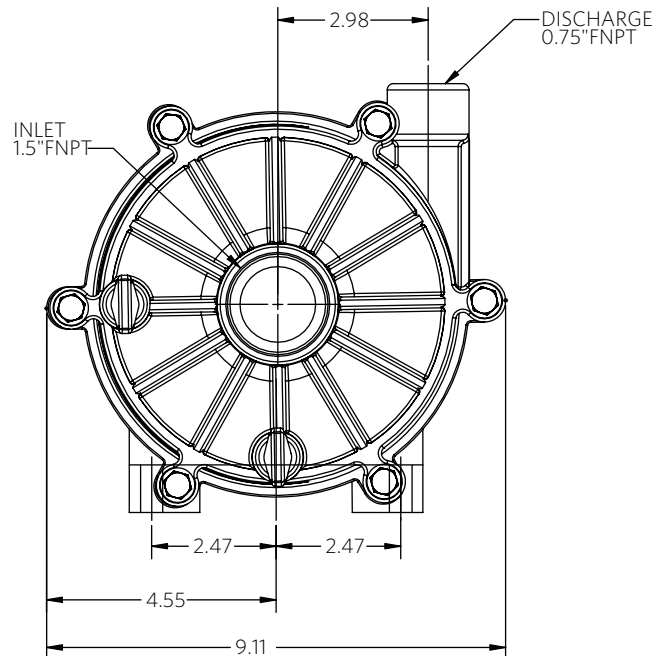
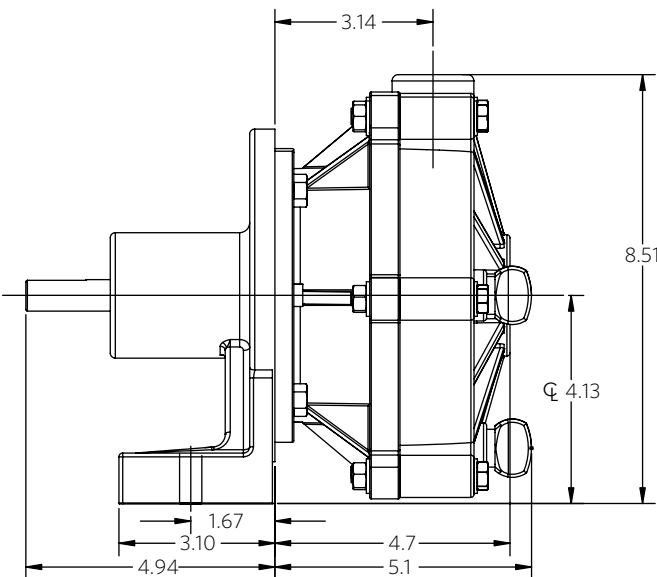


*Dimensions and illustrations are approximate and for reference only. For engineering approved documentation contact MDM Inc.

Advance® 3000 Dimensional Drawings - Exploded View and Pedestal



| NUMBER | QTY | DESCRIPTION |
|----------|-----|---------------------|
| 01 | 1 | SLINGER |
| 02A, 02B | 4 | M-BOLT |
| 03 | 1 | BRACKET |
| 04 | 1 | MECHANICAL SEAL |
| 05 | 1 | IMPELLER |
| 06 | 1 | O-RING |
| 07 | 1 | VOLUTE |
| 08 | 12 | WASHER |
| 09 | 6 | PUMP BOLT |
| 10 | 6 | PUMP NUT |
| 11 | 2 | DRAIN PLUG & O-RING |



*Dimensions and illustrations are approximate and for reference only. For engineering approved documentation contact MDM Inc.