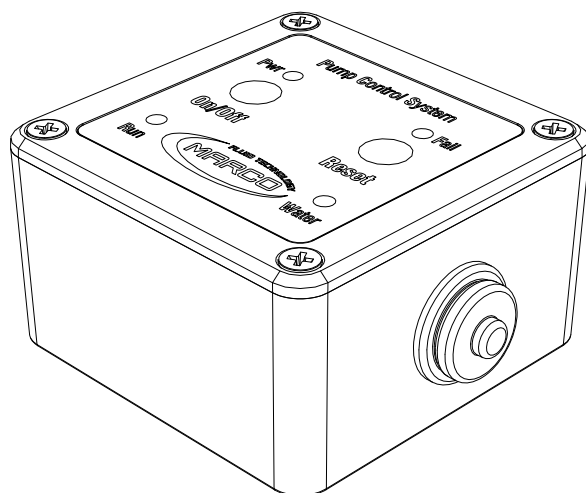




**PANNELLO DI CONTROLLO
PER POMPE ELETTRICHE
CONTROL PANEL
FOR ELECTRONIC PUMP**

**AVVERTENZE D'USO
INSTRUCTIONS FOR USE**

**PCS
Panel Control System**



CE

02/11/11 Ed.00

A

INSTALLATION

It is recommended that the use of the product be according to normative safety standards and also as per the precautions listed below.

B

PACKAGING ENVIRONMENTAL DISPOSAL

The user is invited to effect a proper waste separation, in order to facilitate the recycling of the materials of which the packing is composed; disposal like CER 15.01.01/02

C

PRELIMINARY CHECKS

Check that there has been no damage to the product during transportation or storage. Cleaned and removing possible dust or residual packaging material. Verify that the available electrical power supply corresponds to the product specification requirements.

D

ENVIRONMENTAL DISPOSAL

Do not dispose of the device into household waste. Device that is non longer usable must be collected separately and disposed of in an environmentally correct manner.

E

WARRANTY

1. The Warranty period is 2 years from date of purchase on production of the appropriate sales invoice.
2. Should the original sales invoice not be available, then the 2 year warranty period will be valid from production date.
3. The Warranty becomes null and void in the case of incorrect utilization or disregard of the instructions contained herein.
4. The Warranty only covers original production defects.
5. The Warranty does not cover any related installation costs involved.
6. Transport costs are refundable only in the case where warranty has been duly accepted by Marco Spa and they will be limited to the actual shipment costs between Marco Spa warehouse and the client's delivery address.
7. No credit notes or replacement items will be issued prior to the receipt and proper testing of any Marco goods that are deemed faulty.

SCHEMA DI COLLEGAMENTO / CONNECTING LAYOUT

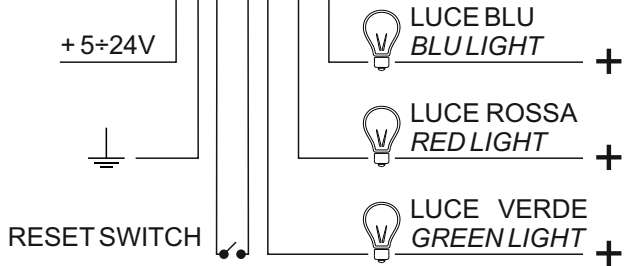
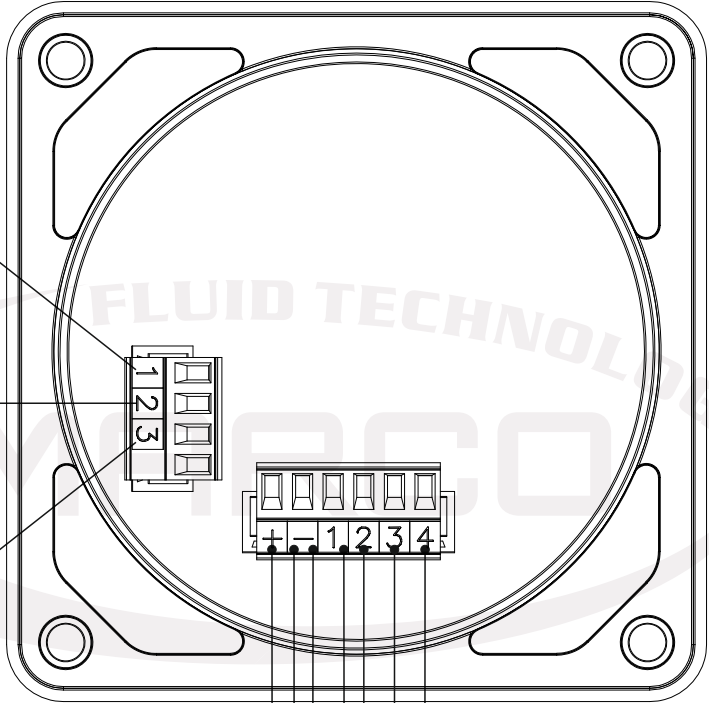
F

**ALLA POMPA
TO THE PUMP**

Cavo MARRONE
BROWN Cable

Cavo BIANCO
WHITE Cable

GROUND
(SHIELD)

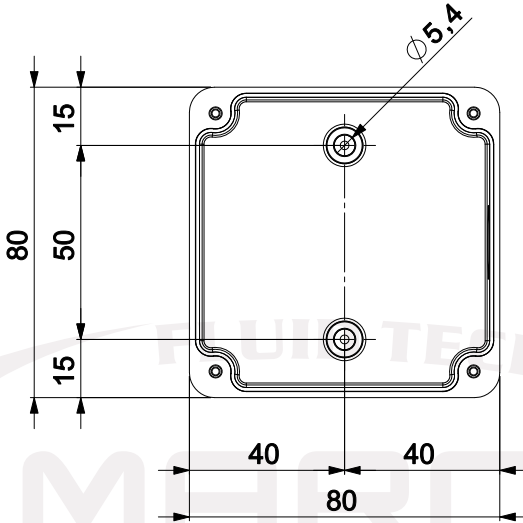


**NON FORNITE
NOT SUPPLIED**

G SCHEMA DI FORATURA / HOLE SKETCH

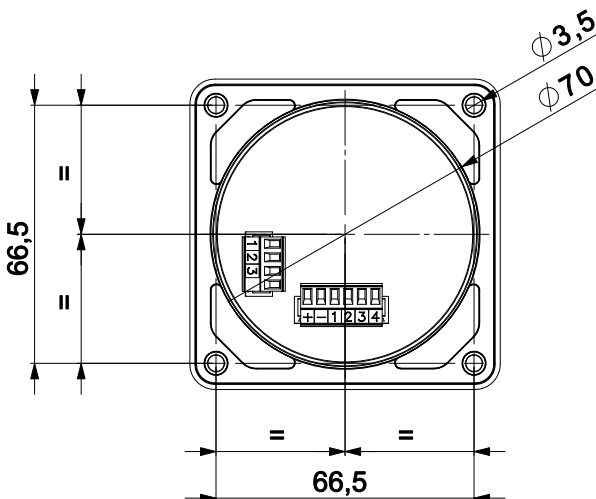
Per il fissaggio del pannello di controllo con la sua scatola di contenimento, forare il piano di appoggio seguendo la dima di foratura sottostante:

To fix the control panel with its box, drill the surface following the template below:



Per il montaggio del pannello di controllo all'interno di una plancia strumenti, forare la plancia seguendo la dima di foratura sottostante:

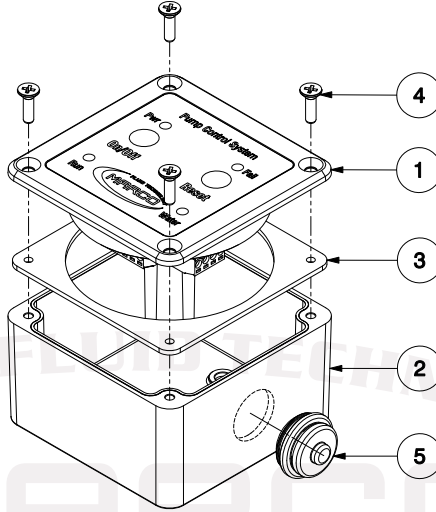
To fix the control panel on a dashboard, drill it following the template below:



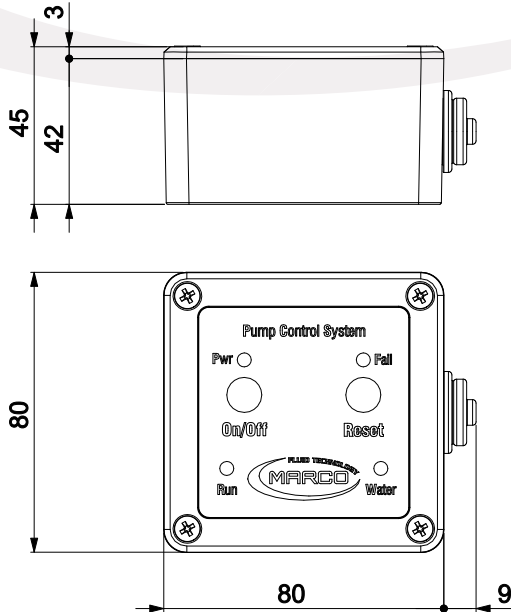
SCHEDA DI ASSEMBLAGGIO / EXPLODED VIEW H

Pos.	Q.tà	Descrizione
1	1	PANNELLO DI CONTROLLO
2	1	SCATOLA
3	1	GUARNIZIONE
4	4	VITE
5	1	PASSACAVO

Pos.	Q.ty	Description
1	1	CONTROL PANEL
2	1	BOX
3	1	GASKET
4	4	SCREW
5	1	GROMMET



INGOMBRI / DIMENSIONS I



Per ulteriori informazioni vedere nostro sito internet - www.marco.it
Marco S.p.A Via Mameli 10 - 25014 Castenedolo (Brescia) - Italia
tel. +39 030 2134.1 / Fax +39 030 2134.300

For further information visit our web site - www.marco.it
Marco S.p.A Via Mameli 10 - 25014 Castenedolo (Brescia) - Italy
tel. +39 030 2134.1 / Fax +39 030 2134.300