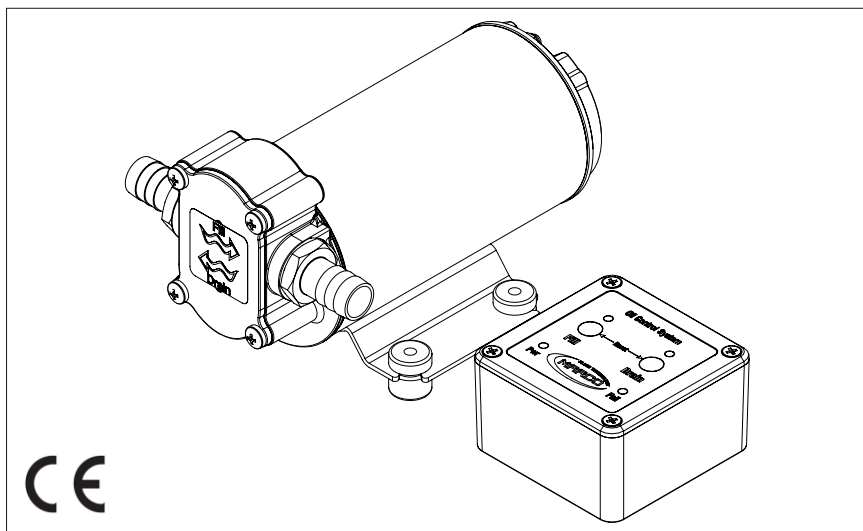




AUTOMATIC SYSTEM FOR OIL CHANGE

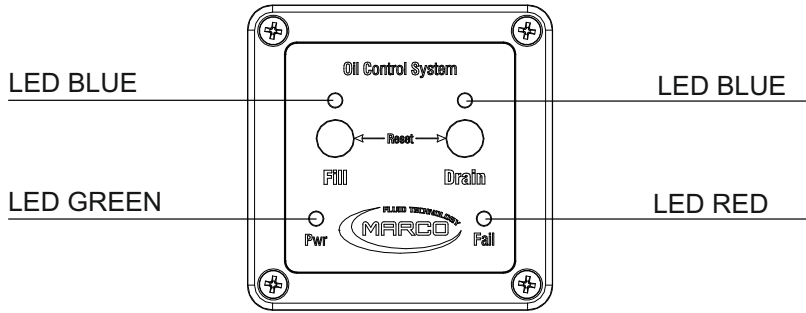
DIRECTIONS

164 005 15-US - UP3-RK 12/24V
164 064 15-US - UP6-RK 12/24V



21/10/13 Rev.01

- 1) When turned on, the green LED is solid and the two blue LEDs are flashing .
- 2) To empty press the button “DRAIN”.
- 3) To fill press the button “FILL”.
- 4) To stop the pump press either button .
- 5) To start the pump, press the button with the desired function.
- 6) When the oil is highly viscous or the valve is closed, the pump runs slowly and the red LED is flashing; when the valve is opened or the oil gets more fluid, the LED will be switched off. In order not to overheat the motor, the pump will be working for max 30”: to restart it, press any button.
- 7) When the transfer is completed and the pump is empty, the two blue and red LEDs will flash alternately. After 90” the pump will shut off.
- 8) The electronic control is set, in the factory, for the oil program. To change program, cut the power supply to the panel. Before reconnecting the power, keep the button “FILL” pressed to activate the FUEL/WATER program or keep the “DRAIN” button pressed to activate the oil program. The blue LED of the pressed key will flash to confirm.
- 9) After running continuously for 30' the pump will automatically shut off. To temporarily remove this function, switch the pump on and keep the two buttons pressed together until the red LED will switch on. If the red LED flashes just once, the function is disabled, if it flashes twice the function is activated. To permanently disable the function, remove the power supply from the electronic panel and keep the two buttons pressed before switching it on again.



TECHNICAL DETAILS

B

CODE	TYPE	VOLT	FUSE	FLOW RATE	WEIGHT	P.CS x CART.
164 005 15-US	UP3-RK	12/24	10 A	3,9 gpm	3,97 lbs	6
164 064 15-US	UP6-RK	12/24	10 A	7,4 gpm	7,72 lbs	6

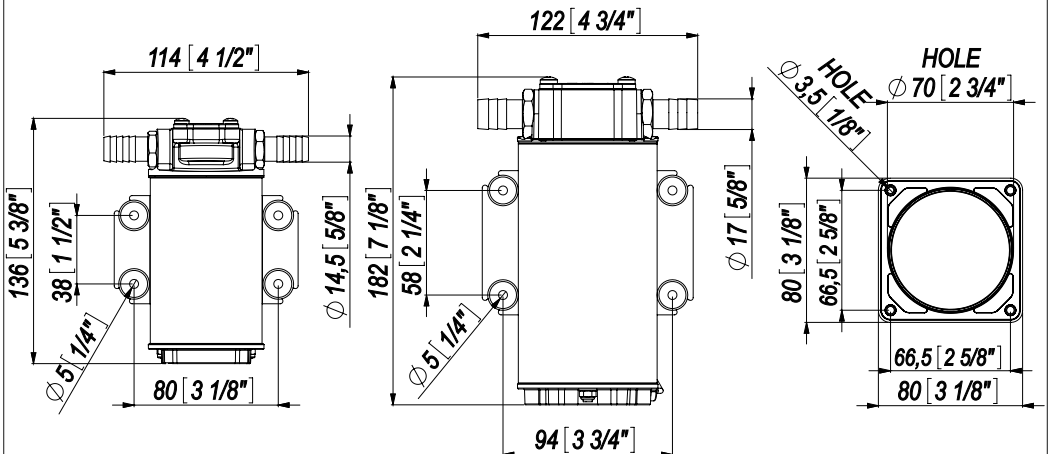
DIMENSIONS

C

UP3-RK

UP6-RK

CONTROL PANEL



Property of MARCO S.p.A reproduction prohibited. All rights reserved.

For further information visit our web site - www.marco.it

Marco S.p.A Via Mameli 10 - 25014 Castenedolo (Brescia) – Italy

tel. +39 030 2134.1 / Fax +39 030 2134.300