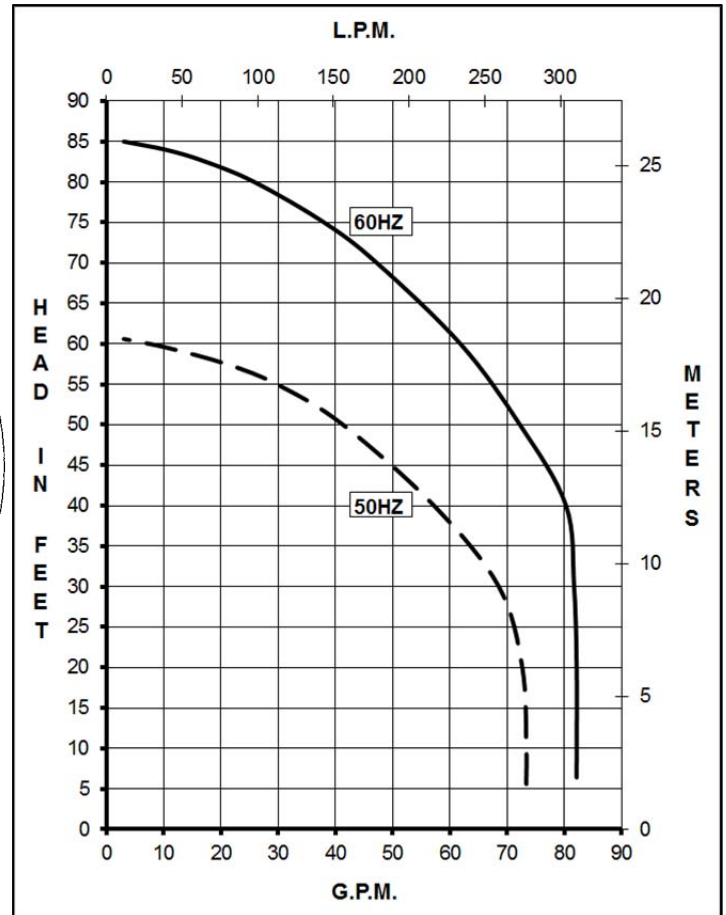
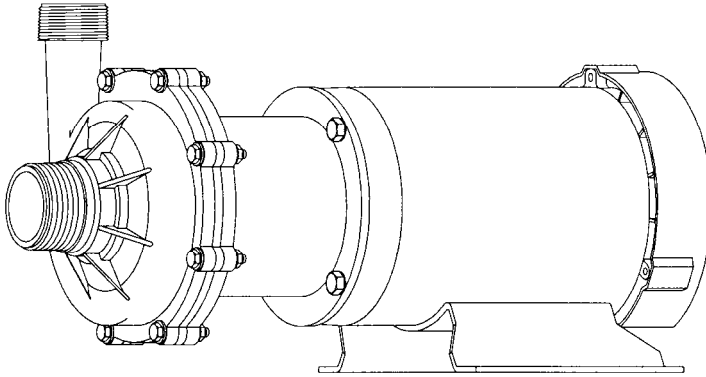




MARCH PUMPS

1819 PICKWICK AVE., GLENVIEW, IL 60026-1306, U.S.A
 PHONE: (847) 729-5300 - FAX: (847) 729-7062
 WWW.MARCHPUMP.COM

TE-7.5K-MD TE-7.5P-MD



MODEL ABBREVIATIONS:

TE = Totally Enclosed Fan Cooled Motor
 K = Kynar
 P = Polypropylene
 MD = Magnetic Drive

DESCRIPTION:

Series 7.5 are centrifugal magnetic drive pumps, eliminating the need for a shaft seal. These pumps can be serviced with an adjustable wrench. See the repair parts list for a breakdown of replacement parts.

OPERATION:

These pumps are not self-priming, lack a suction lift, and thus require a **flooded suction**. These pumps **cannot be run dry** because the impeller requires the liquid being pumped for lubrication. The direction of motor rotation should be clockwise when facing the inlet of the pump. For liquids with a specific gravity greater than water, have a higher viscosity, or for elevated temperatures, a trimmed impeller may be necessary. For application assistance, contact March Pump.

ELECTRICAL:

Models are 230/460V, 3 phase, TEFC. Motor is U.L. listed and rated for continuous duty. Explosion proof and special voltage motors are available upon special order.

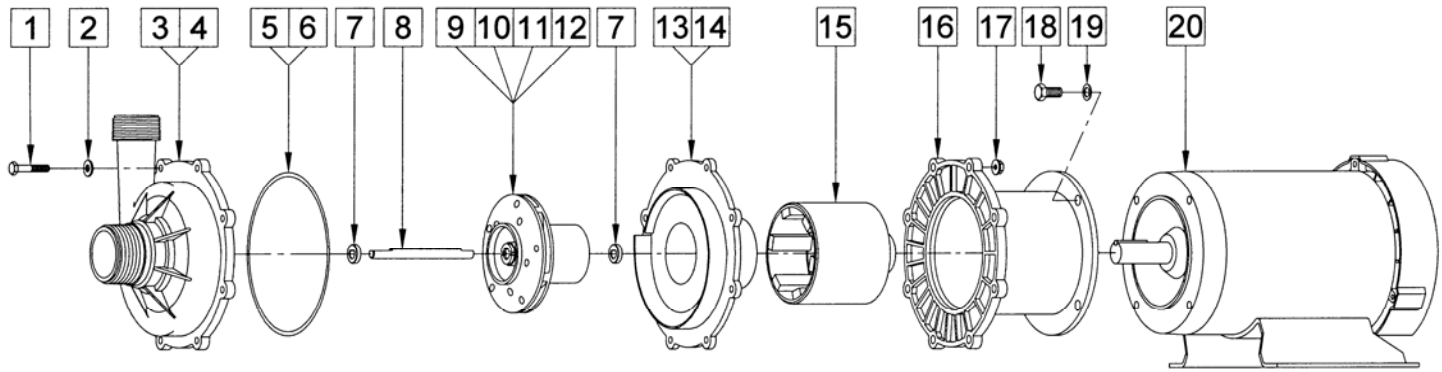
NOTES:

All specifications & data are based on pumping water & are intended as a guideline only. Specifications may vary with different motors.

LIMITED WARRANTY:

March pumps are guaranteed only against defects in workmanship or materials for a period of one year from date of manufacture pumping water. For the complete warranty and to register online go to www.marchpump.com/warranty-registration

SPECIFICATIONS			TE-7.5K-MD	TE-7.5P-MD
Max Flow	50Hz	lpm	268	
	60Hz	gpm	82	
Max Head	50Hz	m	18	
	60Hz	ft (psi)	85 (36.8)	
		Inlet	2" MPT	
		Outlet	1-1/2" MPT	
Max Internal Pressure			psi	60
			bar	4.1
Max Liquid Temperature			°F	190
			°C	87
Packed Weight		kg/lbs	24/53	
			Motor Type	
			TEFC 3 Phase	
50Hz	190V	Watts - Amps	1212 - 4.8	
	380V	Watts - Amps	1212 - 2.4	
			Kw - Rpm	1.118 - 2850
60Hz	230V	Watts - Amps	1911 - 5.4	
	460V	Watts - Amps	1911 - 2.7	
			Hp - Rpm	2 - 3450
Electrical Connection			Conduit Box	
Overall Pump Dimensions in Inches / cm	Height		10 / 25.4	
	Width		9.53 / 24.2	
	Length		19.58 / 49.7	



REPAIR PARTS LIST

ITEM	DESCRIPTION	MATERIAL	SIZE (Inches)	QTY.	PART #	TE-7.5K-MD	TE-7.5P-MD
1	Screw	Stainless Steel	1/4-20 x 1-1/2 Lg	8	0153-0011-1000	S	S
2	Washer	Stainless Steel	1/4 ID x 5/8 OD	8	0157-0023-1000	S	S
3	Front Housing	Natural Kynar		1	0156-0001-1000	S	
4	Front Housing	Polypropylene		1	0156-0060-1000		S
5	"O" Ring	Viton	0.157 CS x 6.457 ID	1	0156-0010-1000	S	S
6	"O" Ring	Viton/Teflon	0.157 CS x 6.457 ID	1	0156-0023-1000	O	
6A	"O" Ring	EPDM	0.157 CS x 6.457 ID	1	0156-0034-1000	O	O
7	Thrust Washer (Front & Rear)	Ceramic		2	0156-0016-1000	S	S
8	Shaft	Ceramic		1	0156-0007-1000	S	S
9	Impeller w/Carbon Bushings	Natural Kynar		1	0156-0004-0200	S	
10	Impeller w/Mica Teflon Bushings	Natural Kynar		1	0156-0004-0300	O	
11	Impeller w/Carbon Bushings	Polypropylene		1	0156-0064-0200		S
12	Impeller w/Mica Teflon Bushings	Polypropylene		1	0156-0064-0300		O
13	Rear Housing	Natural Kynar		1	0156-0002-1000	S	
14	Rear Housing	Polypropylene		1	0156-0061-1000		S
15	Drive Magnet			1	0156-0009-0100	S	S
16	Motor Bracket	Plastic		1	0156-0041-1000	S	S
17	Hex Nut	Stainless Steel	1/4-20	8	0156-0053-1000	S	S
18	Screw	Stainless Steel	3/8-16 x 1 Lg	4	0155-0017-1000	S	S
19	Washer	Stainless Steel	3/8 ID x 5/8 OD	4	0155-0019-1000	S	S
20	Motor, TEFC, 2 HP, 230/460V, 50/60Hz, 3 Phase			1	0156-0008-1000	S	S
W1	Wet End Kit (Items: 1, 2, 3, 5, 7, 8, 9, 13)			1	0156-0031-0100	S	
W2	Wet End Kit (Items: 1, 2, 4, 5, 7, 8, 11, 14)			1	0156-0066-0100		S

NOTE: Contact Factory for other materials and/or parts not listed.

Legend: S = Standard, O = Optional

CAUTION IN ASSEMBLY AND DISASSEMBLY:

On the 7.5 pumps, the magnetic coupling in the pump is strong enough to warrant caution. When servicing the pump, the attraction of the impeller magnet and drive magnet may pull the impeller from your grasp. When assembling, hold onto the outer diameter of the impeller vanes with both hands and gently engage the impeller into the magnet field. Hold the impeller firmly and resist the magnetic attraction as you slowly put the impeller back in. The magnetic forces are strongest between 1/3 to 2/3 of engagement and will diminish when the magnets become aligned. Do not allow the impeller to snap into the rear housing, doing so may result in damage. Exercise caution in placing any of the magnets near steel, tools, or other sensitive instruments as doing so may result in damage or personal injury. When attaching drive magnet to motor shaft, position the face of the drive magnet 5/32 inch above the face of the motor bracket.

MATERIALS IN CONTACT WITH SOLUTION:

For TE-7.5K-MD: Natural Kynar (PVDF), Ceramic, Viton, Carbon.

For TE-7.5P-MD: Polypropylene, Ceramic, Viton, Carbon.