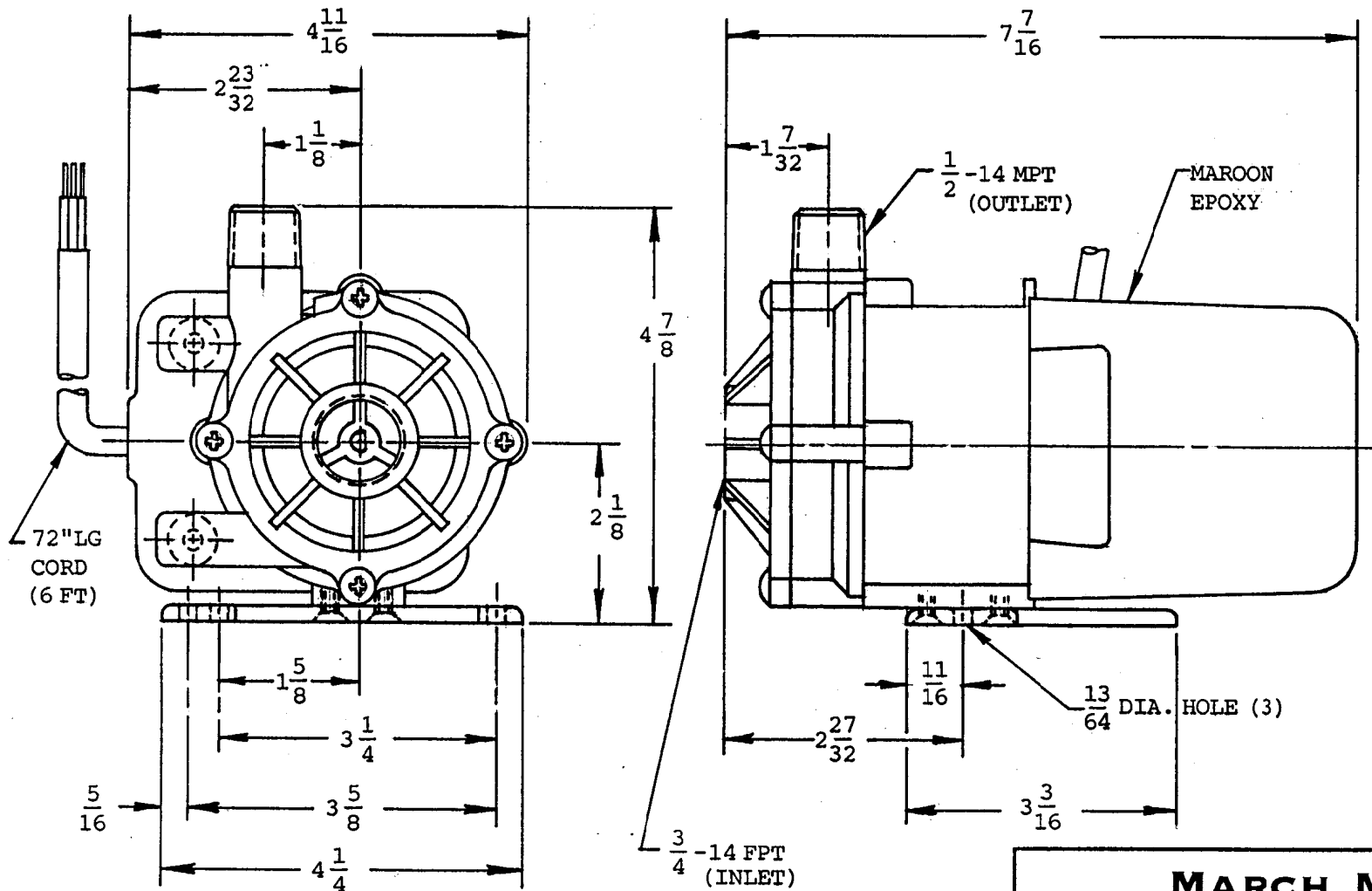


② REDRAWN.
5-25-94 J.T.



QTY. USED ON ASSEM.

MODEL	ASSEMBLY No.
LC-3CP-MD 115V-50HZ	130-090-05
LC-3CP-MD 115V-60HZ	130-091-05
LC-3CP-MD 230V-50HZ	130-092-05
LC-3CP-MD 230V-60HZ	130-093-05

THIS DOCUMENT DISCLOSED SUBJECT MATTER IN WHICH MARCH MFG. INC. HAS PROPRIETARY RIGHTS. NEITHER RECEIPT NOR POSSESSION THEREOF CONFERS OR TRANSFER ANY RIGHT TO REPRODUCE OR DISCLOSE THE DOCUMENT, ANY PART THEREOF, ANY INFORMATION CONTAINED THEREIN, OR ANY PHYSICAL ARTICLE OR DEVICE OR TO PRACTICE ANY METHOD OR PROCESS, EXCEPT BY WRITTEN PERMISSION FROM OR WRITTEN AGREEMENT WITH MARCH MFG. INC.

MARCH MFG. INC.

1819 PICKWICK AVE.

GLENVIEW, IL.

PART NAME PUMP ASSEMBLY LC-3CP-MD

MATERIAL

HEAT TRMT.	SCALE 1/2"=1"	QTY. 1 REQ.
FINISH	DRAWN JT/HZ	DATE 5-25-94
UNLESS OTHERWISE NOTED TOLERANCE ON FRACTIONS ± TOLERANCE ON DECIMALS ±	CHECKED	
	APPROVED	

PART NUMBER 130 SERIES