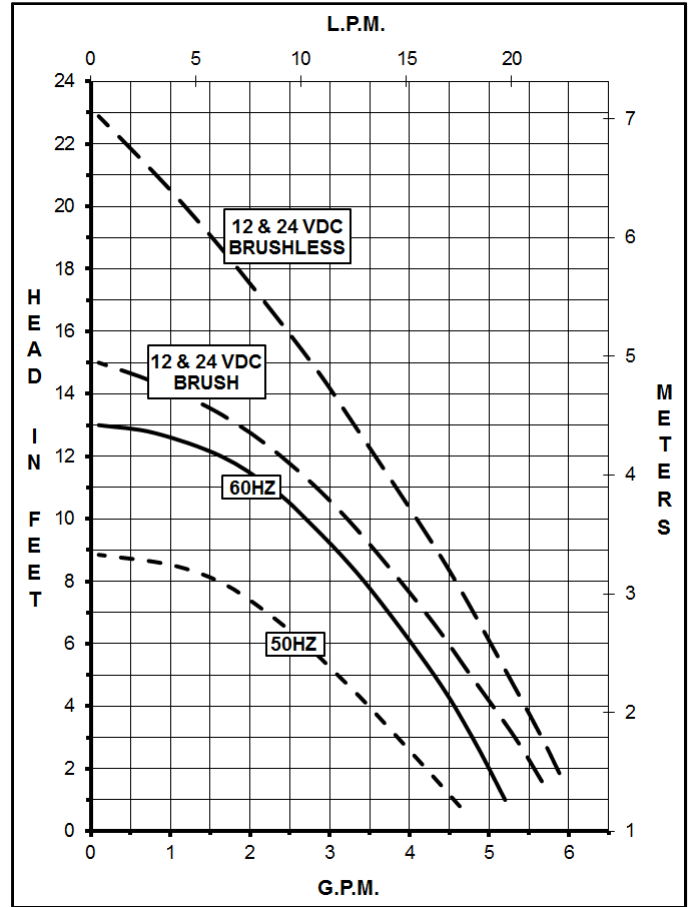
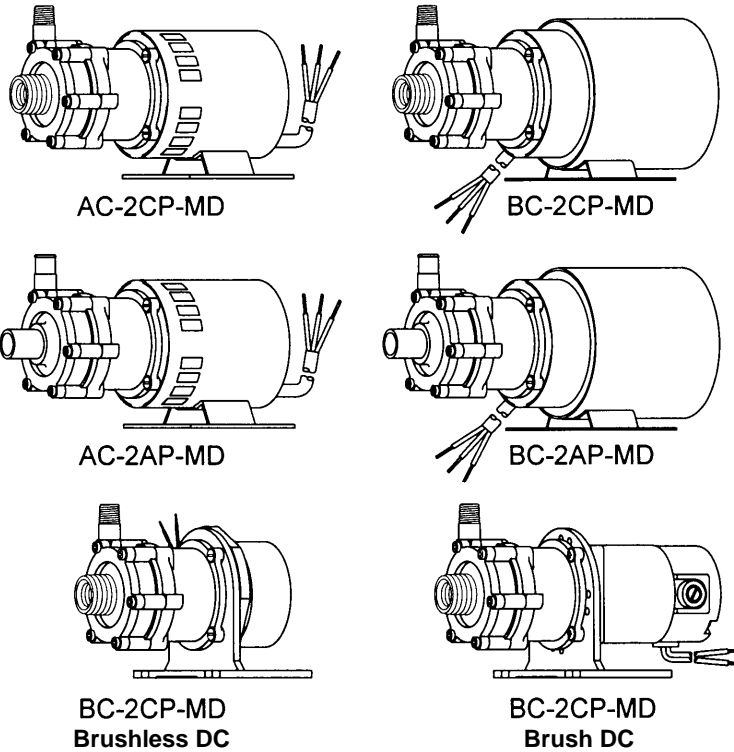




# MARCH PUMPS

**AC-2CP-MD, AC-2AP-MD  
BC-2CP-MD, BC-2AP-MD**

1819 PICKWICK AVE., GLENVIEW, IL 60026-1306, U.S.A  
PHONE: (847) 729-5300 - FAX: (847) 729-7062  
WWW.MARCHPUMP.COM



**MODEL ABBREVIATIONS:**

AC = Air Cooled Motor, BC = Blast Cooled Motor, CP = Threaded Inlet/Outlet, AP = Smooth Inlet/Outlet, MD = Magnetic Drive  
BC models have an encapsulated impeller magnet.

**NOTES:**

All specifications & data are based on pumping water & are intended as a guideline only. Specifications may vary with different motors.

**DESCRIPTION:**

Series 2 are centrifugal magnetic drive pumps, eliminating the need for a shaft seal. These pumps can be serviced with a screwdriver. See the repair parts list for a breakdown of replacement parts.

**OPERATION:**

These pumps are not self-priming, lack a suction lift, and thus require a **flooded suction**. These pumps **cannot be run dry** because the impeller requires the liquid being pumped for lubrication. For liquids with a specific gravity greater than water, have a higher viscosity, or for elevated temperatures, a trimmed impeller may be necessary. For application assistance, contact March Pump.

**LIMITED WARRANTY:**

March pumps are guaranteed only against defects in workmanship or materials for a period of one year from date of manufacture pumping water. For the complete warranty and to register online go to [www.marchpump.com/warranty-registration](http://www.marchpump.com/warranty-registration)

A.C. SPECIFICATIONS					Brush		Brushless				
					AC-2CP-MD	AC-2AP-MD	BC-2CP-MD	BC-2AP-MD	BC-2CP-MD	BC-2CP-MD	
Max Flow	50Hz	lpm	18.5		18.5		22.7				
	60Hz	gpm	5		5		6				
Max Head	50Hz	m	2.7		2.7		4.6		7		
	60Hz	ft (psi)	13 (5.7)		13 (5.7)		15 (6.5)		23 (9.9)		
Inlet		3/8" FPT & 3/4" MPT		3/4" OD	3/8" FPT & 3/4" MPT		3/4" OD		3/8" FPT & 3/4" MPT		
Outlet		1/4" MPT		1/2" OD	1/4" MPT		1/2" OD		1/4" MPT		
Max Internal Pressure	psi		50		50		50		50		
	bar		3.4		3.4		3.4		3.4		
Max Liquid Temperature	°F		190		190		190		190		
	°C		87		87		87		87		
Packed Weight		kg/lbs		2/4.5		3/6.5		1.8/4		0.9/2	
Motor Type					Air Cooled 1 Phase		Blast Cooled 1 Phase		DC 12V		
50Hz	115V	Watts - Amps	84 - 1.2		75 - 1.2		43 - 3.5		38 - 3.1		
		Kw - Rpm	0.018 - 2850		0.018 - 2850		0.029 - 3650		0.029 - 3650		
60Hz	115V	Watts - Amps	77 - 1.2		73 - 1.2		1/25		1/25		
		Hp - Rpm	1/40 - 3450		1/40 - 3450		9" Leads		12" Leads		
Electrical Connection					3 ft (0.9 m) Cord		3 ft (0.9 m) Cord		DC 24V		
50Hz	230V	Watts - Amps	82 - 0.6		66 - 0.5		43 - 1.8		38 - 1.6		
		Kw - Rpm	0.018 - 2850		0.018 - 2850		0.029 - 3650		0.029 - 3650		
60Hz	230V	Watts - Amps	75 - 0.6		66 - 0.5		1/25		1/25		
		Hp - Rpm	1/40 - 3450		1/40 - 3450		9" Leads		12" Leads		
Electrical Connection					3 ft (0.9 m) Cord		3 ft (0.9 m) Cord		4.44 / 11.2		
Overall Pump Dimensions in Inches / cm	Height		4.5 / 11.4		4.56 / 11.5		4.50 / 11.4		7.61 / 19.3		
	Width		3.5 / 8.8		3.91 / 9.9		4.50 / 11.4		5.46 / 13.8		
	Length		7.39 / 18.7		7.77 / 19.7		8.36 / 21.2		8.73 / 22.1		

**ELECTRICAL:**

The AC-2CP-MD & AC-2AP-MD open air cooled motors are available in different electrical configurations such as 115V 50/60Hz, or 230V 50/60Hz, 1 phase.

The BC-2CP-MD & BC-2AP-MD blast cooled motors are available in different electrical configurations such as, 115V 50/60Hz, or 230V 50/60Hz, 1 phase.

The 115V and 230V motors are U.L. listed and rated as continuous duty.

The BC-2CP-MD (D.C.) motors are brush style or brushless 12 or 24 VDC. Brushless motors must be operated within a restricted voltage range due to the electronics in the motor. The red lead is positive & blue lead is negative. The range for 12 V.D.C. motors is 10V to 14V and the range for 24 V.D.C. motors is 20V to 28V.

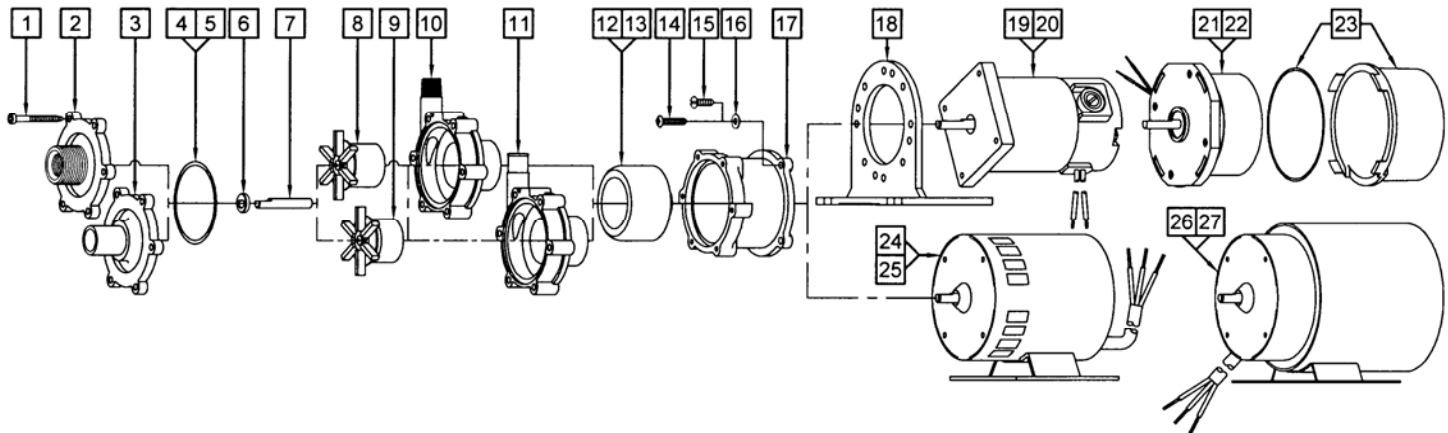
**MATERIALS IN CONTACT WITH SOLUTION:**

For AC-2CP-MD & AC-2AP-MD: Polypropylene, Ceramic, Viton, Ceramic Magnet

For BC-2CP-MD & BC-2AP-MD: Polypropylene, Ceramic, Viton

**NOTE:**

When attaching the Drive Magnet (Item 12, 13) to the motor shaft, position the face of the Drive Magnet 1/16 inch below the face of the Motor Bracket (Item 17).



**REPAIR PARTS LIST**

ITEM	DESCRIPTION	MATERIAL	SIZE (Inches)	QTY	PART #	AC				DC	
										Brush	Brushless
						AC-2CP-MD	AC-2AP-MD	BC-2CP-MD	BC-2AP-MD	BC-2CP-MD	BC-2CP-MD
1	Screw, Self-Tapping	Stainless Steel	#7-19 x 1-7/16 Lg	6	0115-0062-1000	S	S	S	S	S	S
2	Cover	Polypropylene	3/8 FPT x 3/4 MPT	1	0125-0056-1000	S	O	S	O	S	S
3	Cover	Polypropylene	3/4 OD Smooth	1	0125-0096-1000	O	S	O	S	O	O
4	"O" Ring	Viton	3/32 CS x 2-3/16 OD	1	0125-0065-1000	S	S	S	S	S	S
5	"O" Ring	Buna N	3/32 CS x 2-3/16 OD	1	0125-0066-1000	O	O	O	O	O	O
6	Thrust Washer	Ceramic		1	0130-0028-1000	S	S	S	S	S	S
7	Impeller Shaft	Ceramic		1	0125-0061-1000	S	S	S	S	S	S
8	Impeller & Magnet Encapsulated	Polypropylene		1	0125-0087-0200	O	O	S	S	S	S
9	Impeller & Magnet Assembly	Polypro./Ceramic Magnet		1	0125-0055-0100	S	S	O	O		
10	Rear Housing	Polypropylene	1/4 MPT	1	0125-0058-1000	S	O	S	O	S	S
11	Rear Housing	Polypropylene	1/2 OD Smooth	1	1008-0001-1000	O	O	S	O	O	O
12	Drive Magnet		0.250 Bore	1	0125-0083-0100	S	S	S	S	S	
13	Drive Magnet		6mm Bore	1	0125-0083-0200						S
14	Screw	Stainless Steel	#8-32 x 3/4 Lg	4	0210-0036-1000					S	S
15	Screw	Stainless Steel	#8-32 x 1/2 Lg	4	0150-0015-1000	S	S	S	S		
16	Washer	Stainless Steel	#8	4	0858-0004-1000	S	S	S	S	S	S
17	Motor Bracket	Plastic		1	0125-0069-1000	S	S	S	S	S	S
18	Base	Plastic		1	0125-0106-1000					S	S
19	Motor (DC Brush) 12V			1	0809-0101-1000					S	
20	Motor (DC Brush) 24V			1	0809-0103-1000					S	
21	Motor (DC Brushless) 12V			1	0125-0127-1000						S
22	Motor (DC Brushless) 24V			1	0125-0128-1000						S
23	Cover and "O" Ring		1/16 CS x 3 OD	1	0125-0133-1000						O
24	AC Motor, 115V, 50/60Hz			1	0125-0052-1000	S	S	O	O		
25	AC Motor, 230V, 50/60Hz			1	0125-0063-1000	S	S	O	O		
26	BC Motor, 115V, 50/60Hz			1	0125-0088-1000	O	O	S	S		
27	BC Motor, 230V, 50/60Hz			1	0125-0089-1000	O	O	S	S		

NOTE: Contact Factory for other materials and/or parts not listed.

Legend: S = Standard, O = Optional

0125-0076-1000 R16