

## PES-300-PW SERIES



### Features

- Environmentally safe, oil-less
- Energy efficient
- Corrosion resistant body
- 15' Cord
- 10.2' maximum lift
- 35 watts
- Discharge accepts 3/4" I.D. tubing

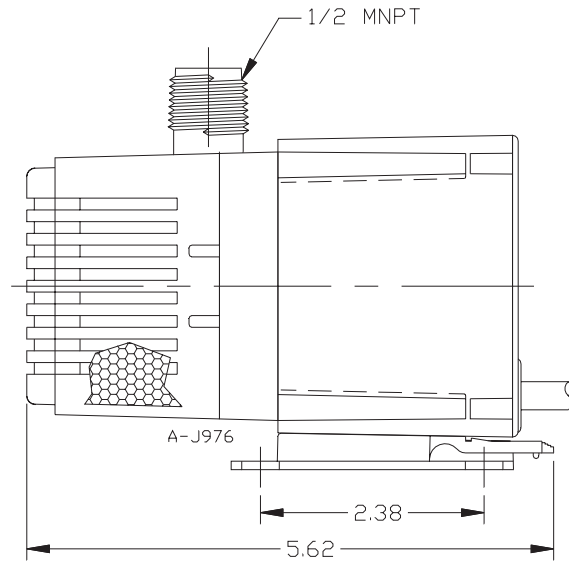
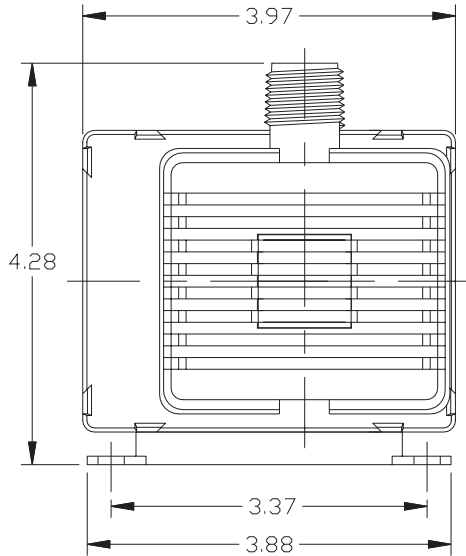
### Construction

- Motor — Wet-Rotor (Hysteresis) Epoxy Encapsulated
- Intermittent Liquid Temp. up to — 120° F
- Intake — 1/2" FNPT
- Discharge — 1/2" MNPT
- Housing — Polyester
- Cover — Glass-filled Nylon
- Volute — Glass-filled Nylon
- Impeller — Glass-filled Nylon
- Screen — ABS

This wet-rotor pump, often referred to as a magnetic-drive pump by other manufacturers, utilizes an epoxy-encapsulated motor and plastic housing. A permanent magnet is attached to the impeller. The magnet acts as the rotor would in a conventional motor. The water being pumped surrounds the rotor, thus the term “wet-rotor”. It is seal-less and oil-less. This pump works well in water garden, statuary, and some industrial applications. It is compact in design and is the most energy efficient type of pump Little Giant manufactures. The other side of this efficiency is very little starting torque. Therefore, the pump does not produce as much pressure and will not pump water as high as its epoxy-encapsulated counterpart.

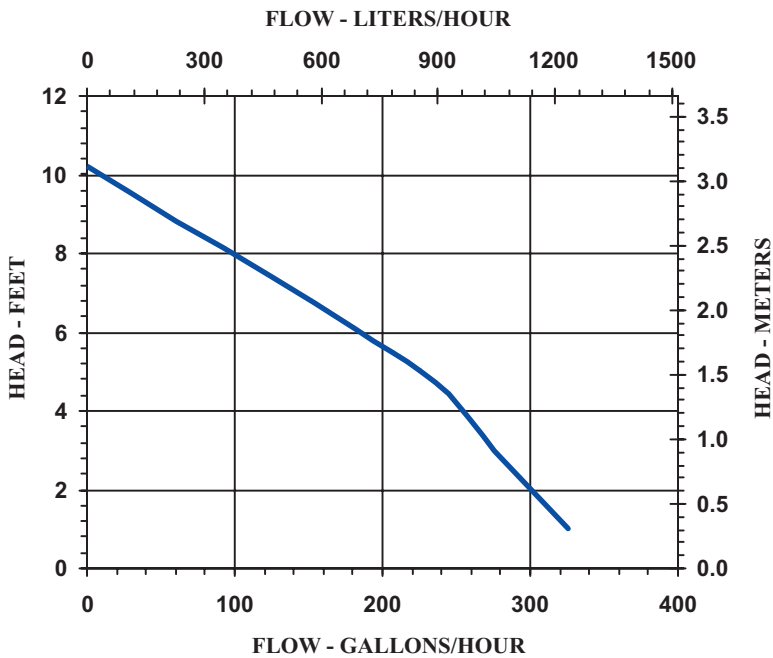
# Little Giant Pump Co.

## PES-300-PW SERIES



### Specifications

Model No.	Item No.	Intake Size	Discharge Size	Listing(s)	HP	Volts	Hertz	Amps	Watts	Performance (GPH @ Head)			Shut Off		Pwr. Cord (ft)	Weight (Lbs)
										1'	3'	5'	Feet	PSI		
PES-300-PW	566653	1/2" FNPT	1/2" MNPT	UL/CSA	N/A	115	60	0.6	35	325	275	225	10.2	4.4	15	4.33



### Replacement Parts

Screen	119910
Plug, Screen	119911
Filter Media	119913
Base	119810
Volute	119320
Impeller Assy	599092
O-Ring	924050

**Little Giant Pump Co.**  
 PO Box 12010  
 Okla. City, OK 73157  
 Phone: 405.947.2511  
 Fax: 405.228.1550  
[www.LittleGiantPump.com](http://www.LittleGiantPump.com)