

Little GIANT[®]

Pump Company

3-MDX & 3X-MDX



Features

- Thermally Protected, Open, Fan-Cooled Motor
- Sleeve Bearings
- 6' Power Cord with 3-Prong Plug
(No plug on 230V)
- Specific Gravity to 1.1
- Fluid Temperature to 150 Degrees F.
- Ambient Air Temperature to 77 Degrees F.
- NOTE: Consult your local distributor or the factory for applications with higher ambient temperatures, specific gravities and viscosities.

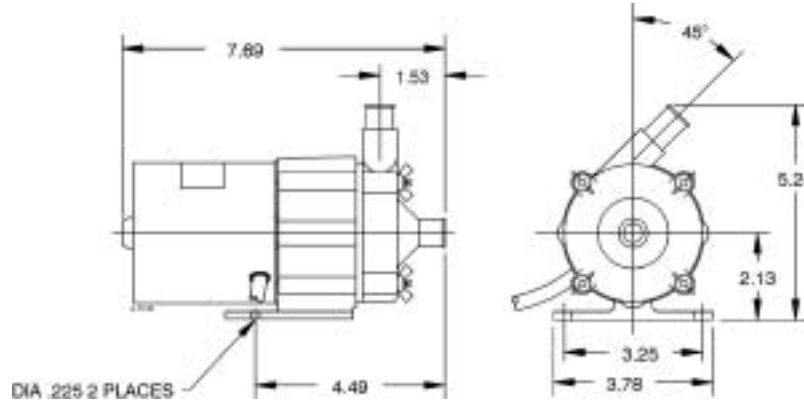
Construction

- Volute — Glass-filled Polypropylene
- Housing — Glass-filled Polypropylene
- Impeller — Glass-filled Polypropylene & Ceramagnet "A" (Barium Ferrite)
- Shaft — Titanium
- Thrust Washers — Titanium
- O-Ring — Nitrile

The Little Giant MD series features leakproof, seal-less magnetic drives and are designed for in-line, non submersible use. Volute and magnet housing are glass-filled polypropylene for excellent chemical resistance. Impeller is glass-filled polypropylene and Ceramagnet "A" (Barium Ferrite). Shaft and thrust washers are Titanium for excellent wear and trouble-free service. Pumping heads are easily rotated, cleaned or serviced with no special tools required. Spindle shaft is supported at both ends to prevent impeller damage during start-up and stop of pump.

Little Giant Pump Co.

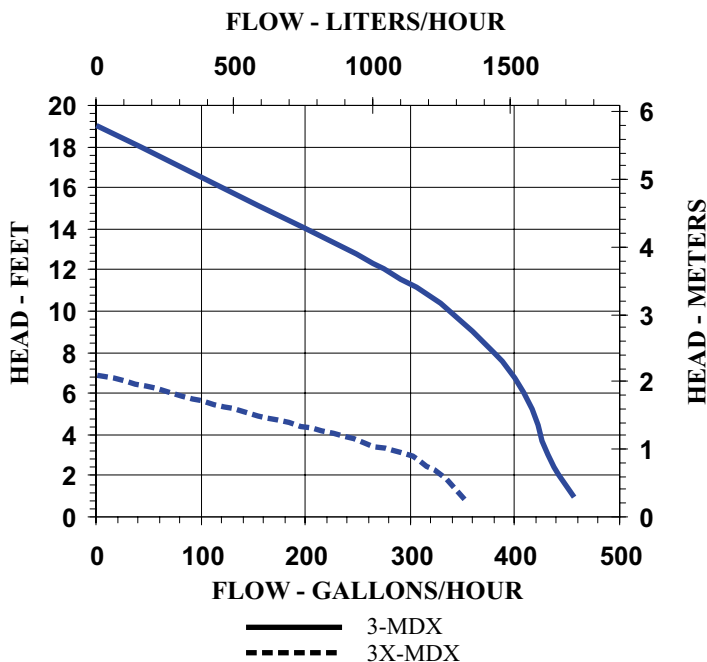
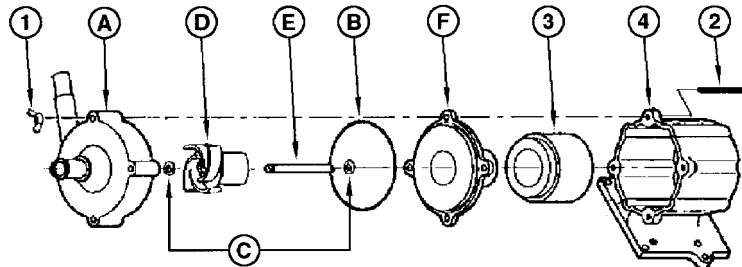
3-MDX & 3X-MDX



NOTE: Designs and dimensions may vary for various reasons (i.e. type of motor). This information should be used as general guide rather than an unqualified guarantee. Specifications are subject to change without prior notice.

Specifications

| Model No. | Item No. | Intake | Discharge | Listing(s) | HP | Volts | Hertz | Amps | Watts | Performance (GPH @ Head) | | | | Shut Off | | Pwr. Cord (ft) | Weight (Lbs.) |
|-----------|----------|-----------|-----------|------------|------|-------|-------|------|-------|--------------------------|-----|-----|-----|----------|-----|----------------|---------------|
| | | | | | | | | | | 1' | 3' | 6' | 9' | Feet | PSI | | |
| 3-MDX | 581031 | 5/8" Hose | 5/8" Hose | UR/C-CSA | 1/25 | 115 | 60 | 1.65 | 126 | 456 | 420 | 408 | 360 | 19.0 | 8.2 | 6 | 6.25 |
| 3X-MDX | 581030 | 5/8" Hose | 5/8" Hose | UR/C-CSA | 1/50 | 115 | 60 | 0.94 | 67 | 348 | 300 | 198 | | 7.0 | 3.0 | 6 | 5.50 |



Replacement Parts

| ITEM | PART NO. | DESCRIPTION |
|------|----------|-----------------|
| A | 181211 | Volute |
| B | 924007 | O-Ring |
| C | 921067 | Thrust Washer |
| D | 181112 | Impeller 3-MDX |
| D | 181111 | Impeller 3X-MDX |
| E | 180058 | Shaft |
| F | 181311 | Backplate |
| 1 | 920003 | Wing Nut |
| 2 | 901418 | Screw |
| 3 | 180602 | Drive Magnet |
| 4 | 181411 | Mtg. Bracket |

Note: Parts A-F Contact Fluid.

Little Giant Pump Co.
 PO Box 12010
 Okla. City, OK 73157
 Phone: 405.947.2511
 Fax: 405.228.1550
www.LittleGiantPump.com