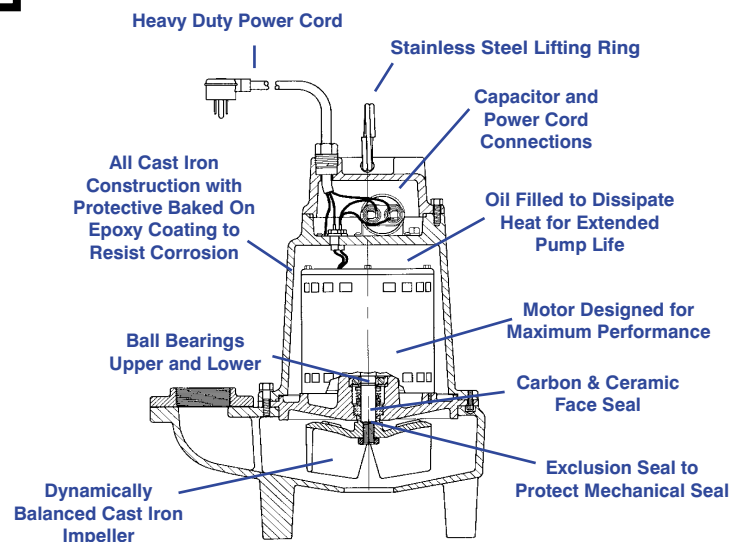


14S SERIES



Features

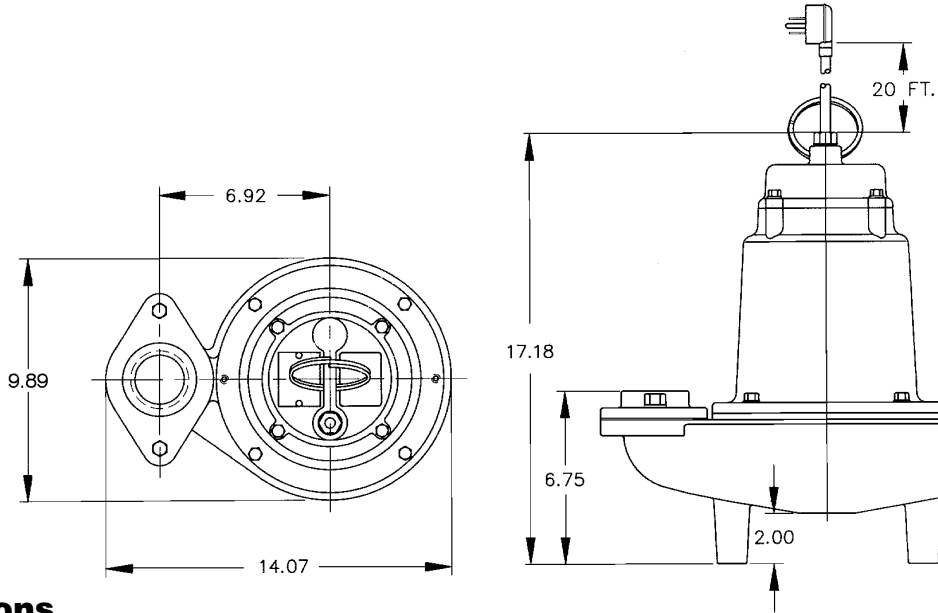
- Handles liquids and solid waste materials up to 2" diameter.
- Cast iron pump housing with protective epoxy coating for corrosion resistance
- Oil-filled motor housing for lifetime lubrication and rapid heat dissipation
- Stainless steel screws, bolts and lifting ring
- Mechanical seal (stainless steel spring, nitrile parts, carbon and ceramic faces) for long life & reliability
- Secondary Exclusion Seal to help protect mechanical seal
- 1/2 HP, 1625 RPM, ball bearing motor and thermal overload protection
- Capacitor & power cord connections isolated from oil filled motor housing for ease of field maintenance
- Dynamically balanced two-vane non-clogging impeller with pump-out vanes to enhance pumping performance & efficiency



For Residential, Commercial, Industrial and Agricultural use. The model 14S Series Wastewater and Sewage Ejector pumps handle liquids and solid waste materials up to 2" in diameter. Pumps feature either a 2" or 3" FNPT discharge with a lift of 25', heavy duty cast iron construction and stainless steel hardware.

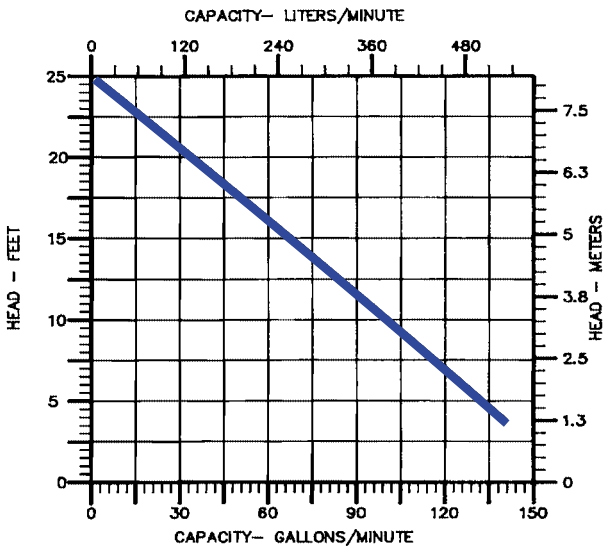
Little Giant Pump Co.

14S SERIES SEWAGE EJECTOR PUMP



Specifications

| MODEL NO. | ITEM NO. | DISCHARGE | SOLIDS SIZE (Dia. In.) | LISTING | HP | VOLTS | PHASE | Hz. | RPM | RUNNING AMPS/WATTS | SHUT OFF (Ft.) | P.S.I. | PWR CRD (Ft.) | WEIGHT (Lbs.) |
|-----------|----------|-----------|------------------------|---------|-----|---------|-------|-----|------|--------------------|----------------|--------|---------------|---------------|
| 14S-CIM | 514320 | 2" FNPT | 2" | UL/CSA | 1/2 | 115 | 1 | 60 | 1625 | 11.6/1100 | 25' | 10.8 | 20' | 80 |
| 14S-CIM | 514420 | 3" FNPT | 2" | UL/CSA | 1/2 | 115 | 1 | 60 | 1625 | 11.6/1100 | 25' | 10.8 | 20' | 80 |
| 14S-CIM | 514321 | 2" FNPT | 2" | UL | 1/2 | 208/240 | 1 | 60 | 1625 | 4.6/1100 | 25' | 10.8 | 20' | 80 |



PUMP PERFORMANCE CURVE

Construction

| | |
|-----------------------|---|
| Motor Housing | Epoxy Coated Cast Iron |
| Impeller Material | Epoxy Coated Cast Iron |
| Impeller Type | Two Vane, non-clog |
| Volute | Epoxy Coated Cast Iron |
| Power Cord | 16/3, STW |
| Mechanical Shaft Seal | Nitrile Parts with Carbon/Ceramic Faces |
| Fasteners | Stainless Steel |
| Shaft | Stainless Steel |
| Bearings | Upper and lower ball bearings |



ISO 9001 CERTIFIED

Little Giant Pump Co.

PO Box 12010
Okla. City, OK 73157

Phone: 405.947.2511
Fax: 405.228.1550

www.LittleGiantPump.com

Form 994351 — 10/99