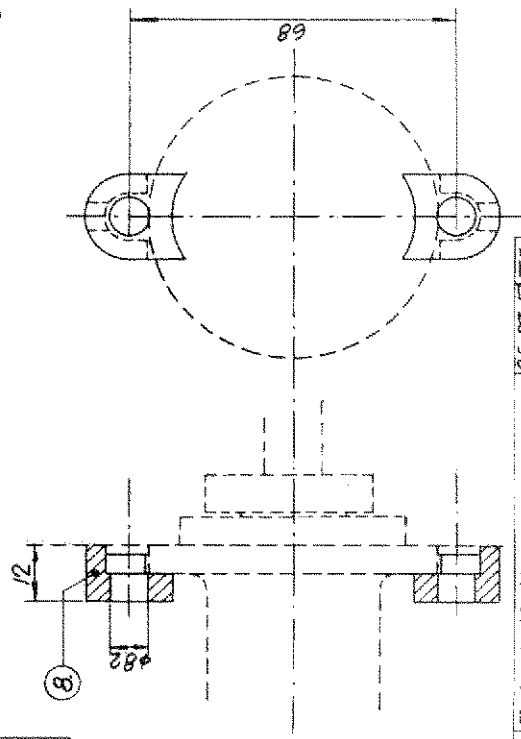
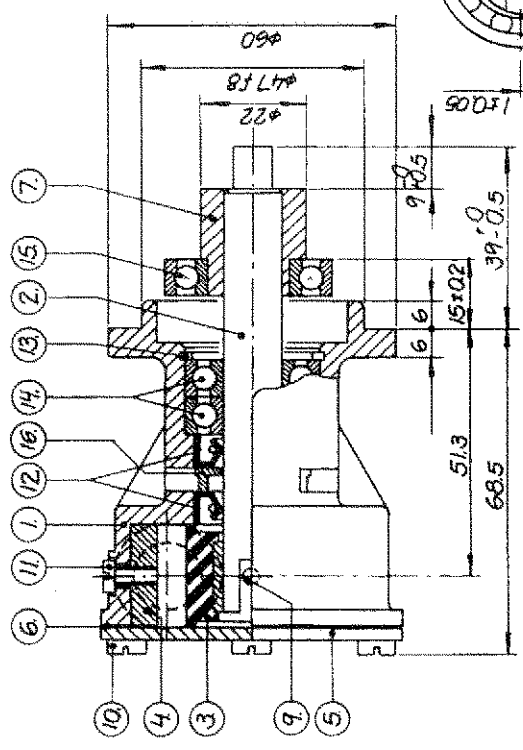
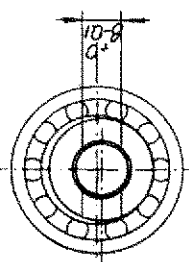
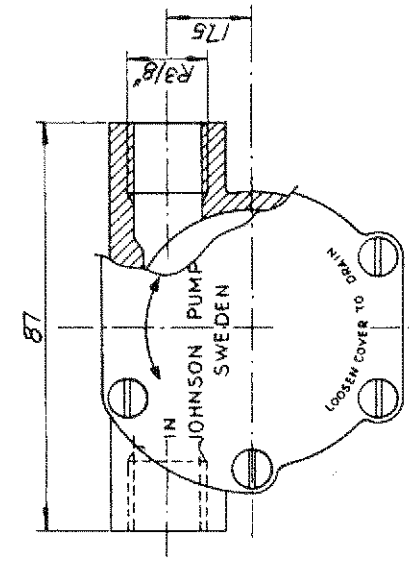


Rev. No.	Revision	Date	Sign.
12/1 P06	Marking	9/60613	IG
Mark on endcover changed.			



Part No. / Del nr	Quantity	Description / Beskrivning	Material	Dimension	Draw No. / Rit nr
16	1	Distanbricka - Spacer			01-45955
15	1	Kullager - Ballbearing		16003	05-08-501
14	2	Kullager - Ballbearing			05-08-503
13	1	Låsring - Retaining ring			05-04-131
12	2	Läppfötning - Lipseal			05-29-139
11	1	SKRUV - Screw			05-04-114
10	6	SKRUV - Screw			05-04-163
9	1	SKRUV - Screw			05-04-124
8	2	Klamma - Clip			01-43235
7	1	Excenterhylsa - Eccentric cage			01-45831
6	1	Packning - Gasket			01-45284
5	1	Lock - Endcover			01-45282
4	1	Kam - Cam			01-42389
3	1	Impeller			08-810 B
2	1	Axel - Shaft			01-45032
1	1	Pumphus - Body			01-35099-2

34705	Det nr 16 tillk.	86-07-17 TE.	
4	Exc. hylsa 01-45831 var 01-45368	05-03-12	Jt.
3	Axel 01-45832 var 01-45569		
2	Låge på flat ändrat	82-06-07	Jt.
1	Mått 39-01-02 var 37-01-02		

10-35161-1	Pump nr F4B-9	Mark on endcover	Markes på lock
		Pump nr + Pump type + Vektкод	
		Pump nr + Pump type + Vektкод	

Scale	1:1
Scale	1:1
Draw No.	10-35161-1/P06
Draw	10-35161-1
Draw	10-35161-1/P06

JOHNSON PUMP AB
OREBRO SWEDEN
Tel. 02181155.50

Johnson Impeller pump
Type F4B-9 10-35161-1

This drawing is the property of J.P. Protected in accordance with prevailing law. Design fitting at J.P.'s expense. Skyskild smittg galltands lag.

Radius unless otherwise noted
Sharp edges broken
Slurp-kantor bytne
Burrer not permitted
Grader tillås icke