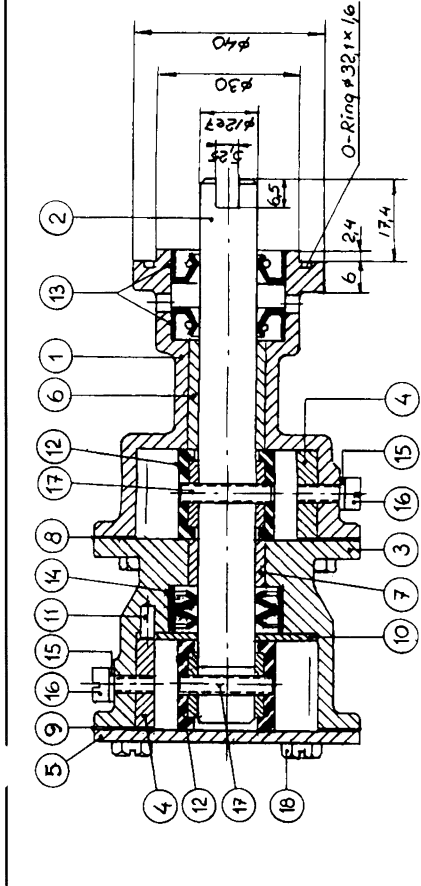
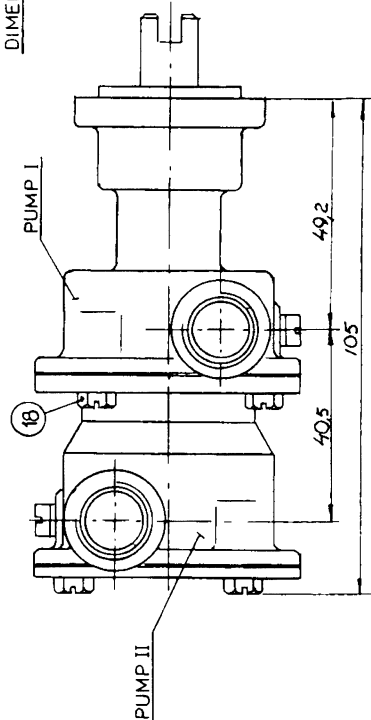


18	8	SCREW	SKRUV	05-04-176
17	2	SCREW	SKRUV	05-04-123
16	2	SCREW	SKRUV	05-04-114
15	2	WASHER	BRICKA	05-01-120
14	1	LIP SEAL	LÄPPTÄTNING	05-29-502
13	2	LIP SEAL	LÄPPTÄTNING	05-29-139
12	2	IMPELLER	IMPELLER	08-808 B
11	1	PIN	STIFT	01-42400
10	1	WEARPLATE	SLITBRICKA	01-45087
9	1	GASKET	PACKNING	SEE TABLE
8	1	GASKET	PACKNING	SEE TABLE
7	1	BUSHING	BUSSNING	01-45110
6	1	BUSHING	BUSSNING	01-43131
5	1	ENDCOVER	LOCK	01-43239
4	2	CAM	KAM	01-42910
3	1	BODY	PUMPHUS	01-35062-1
2	1	SHAFT	AXEL	01-45109
1	1	BODY	PUMPHUS	SEE TABLE

Part No. / Del.nr. / Anst.	Description / Benämning	Material	Dimension
This drawing is the property of J.P. Protected in accordance with prevailing law. Denna ritning är J.P.'s egendom. Skyddad enligt gällande lag.			
Tolerance unless otherwise noted / Tolerans om ej annat anges		Sharp edges broken / Sharpa kanter brytes	Radius unless otherwise noted / Radie om ej annat anges
Unmachined surfaces / Borens ytor		Burrs not permitted / Grodar tillåts icke	Rad
± IT 17/2		± IT 14/2	Datum 81-10-27
± IT 17/2		± IT 14/2	Sign. AH
Title / Titel		JOHNSON IMPELLERPUMP	Scale / Skala 1:1
Type / Typ		TYPE F35B/F35B-9 COOLING/COOLING	Draw No. / Rit.nr. 10-35065



DIMENSIONS IN mm.



PUMP NO	HANDLING			GASKET (8)	GASKET (9)
	PUMP I	PUMP II	BODY (1)		
10-35065-1	Seawater	Seawater	01-32411	01-43240 l=0,15	01-43240 l=0,15
- II - 2	Seawater	Seawater	01-35026	01-43240 l=0,15	01-43240 l=0,15
- II - 3	Closed fresh-water system	Seawater	01-32411	01-45400 l=0,40	01-43240 l=0,15
- II - 4	Closed fresh-water system	Seawater	01-35026	01-45400 l=0,40	01-43240 l=0,15
- II - 5	Seawater	Closed fresh-water system	01-32411	01-43240 l=0,15	01-45400 l=0,40
- II - 6	Seawater	Closed fresh-water system	01-35026	01-43240 l=0,15	01-45400 l=0,40

PO2	Omrklad, pos 3-6 tillkommit	81-10-27	AH
32	Div. ändr. enl. AM 92	79-09-05	JT
Rev. No. / Ändr. nr.	Revision / Ändring	Date / Datum	Sign.