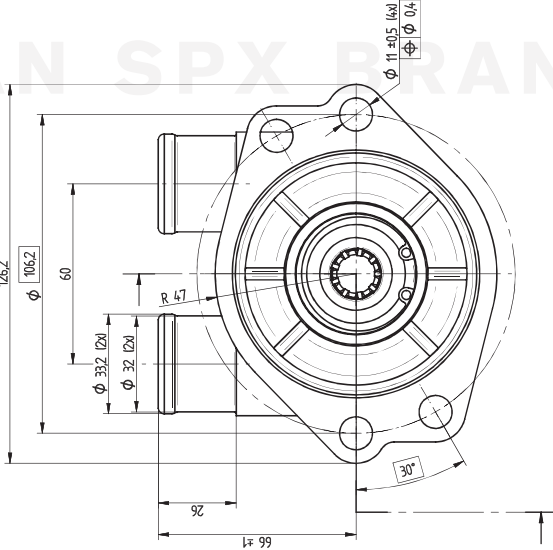
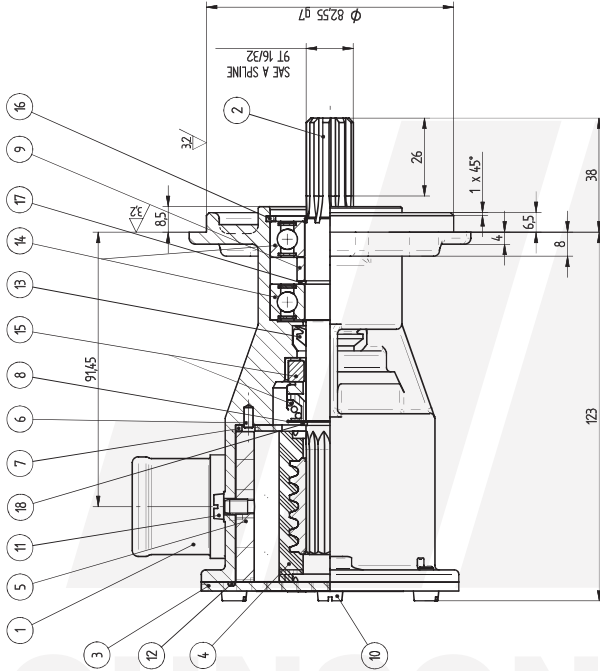
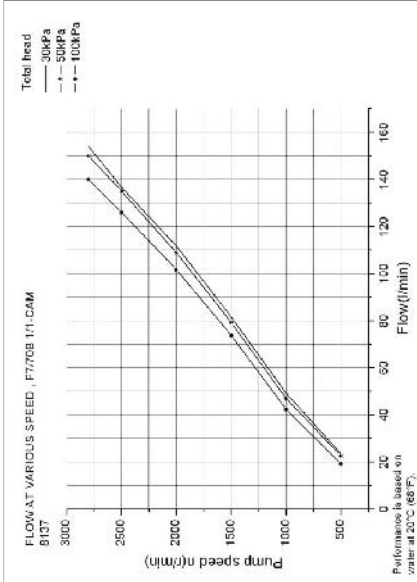
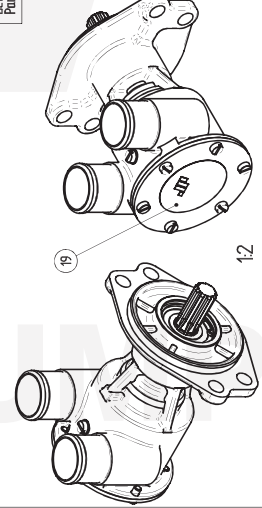


SAFETY GROUP	-0012	-0107
APPROVED FOR:	DATE:	BY:



Rimring nr	03-24667
Drawing no	03-24667-01
Pump nr / Pump no / parts list	10-24667-01
Pump typ	F7B-9
Pump type	F7B-9
Marking pd lock	Mark on endcover
Pump type + pump nr + filik. nr + vedta. Pump type + pump no + mon. year + week.	

Detail nr enligt stycklista  
Part nr according to parts list



UNLESS OTHERWISE SPECIFIED THE FOLLOWING ARE TO APPLY TO THE PART: ALL DIMENSIONS IN MILLIMETERS UNLESS OTHERWISE SPECIFIED. ALL DIMENSIONS ARE TO BE TAKEN TO THE DIMENSIONAL SURFACE UNLESS OTHERWISE SPECIFIED. DIMENSIONS IN INCHES ARE FOR INFORMATION ONLY.

SHARP EDGES: FILE FOR FINISH

SPRUE AND RIBS: REMOVE AND FINISH

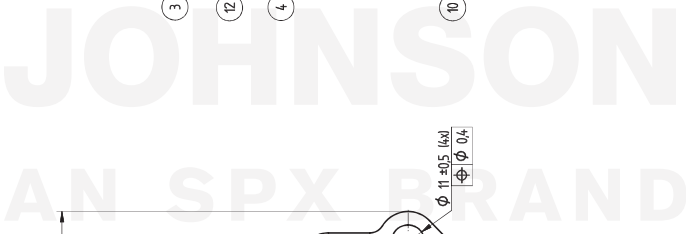
JOHNSON PUMP  
JOHNSON PUMP AB, P.O. BOX 108  
SE-223 13, ÅRE, SWEDEN

EXPLODED VIEW OF PUMP MANAGEMENT

DATE	2600
TYPE	11
SCALE	1:1
REVISED IN UK	

JOHNSON Impellerpump F7B-9

03-24667



**F7B-9 Impeller pump**  
**Art.No. 10-24667-01**

Part. No.	Description GB	Position	Quantity
01-13367-1	PUMP BODY F7B-9 JOHN DEERE	1	1
01-36046	SHAFT F7B-9 JOHN DEERE	2	1
01-46648-3	ENDCOVER F7B	3	1
08-1028B	IMPELLER	4	1
01-46899	CAM 1/1 F7B	5	1
01-42400	PIN F35B-/F7B/F70B	6	1
01-46798-2	WEAR PLATE F7B	7	1
01-45680	WASHER F5B/F6B/F7B	8	1
01-46924	SPACER F7B-9	9	1
0.0279.301	SCREW M5X8 ISO1207 A4	10	6
0.0279.033	SCREW M5X8 ISO1207 BRASS	11	1
0.2172.012	O-RING 63,22X1,78 NBR70	12	1
0.2230.015	V-RING 15.5-17.5 NBR/65SH	13	1
0.3431.742	BALL BEARING 6203 2 RS1 ST	14	2
0.2247.022	MECH.SEAL COMPL D16	15	1
0.0371.040	RETAIN. RING BORE D40 DIN472 SPRST	16	1
0.0370.017	EXT. CIRCLIP D17 DIN471 ST	17	1
0.0370.516	EXT. CIRCLIP D16 DIN471 PHB	18	1
01-46797	LABEL	19	1