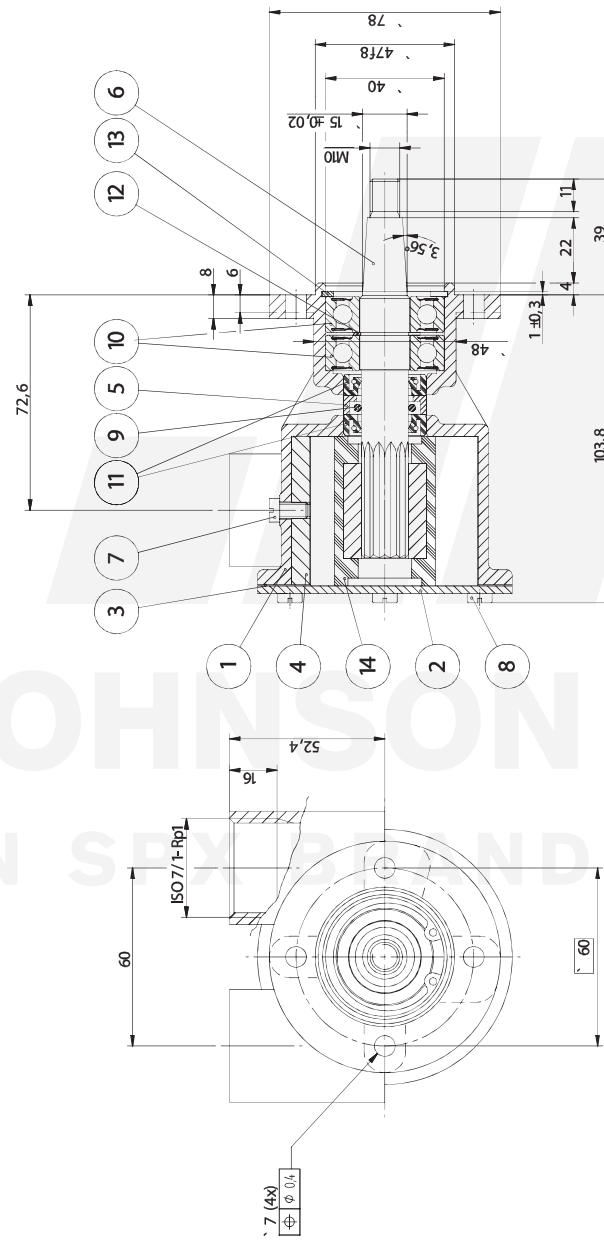


Dimension	Value
47 f8	-0,025 -0,064



**JOHNSON PUMP**  
OREBRO - SWEDEN

Material: 940223  
Pump type: F7B-902

ISO 9001  
ISO 14001

03-24475

Johnson Impeller pump  
F7B-902/903

P03

Approved by	Approved by
FILE	FILE
DATE	DATE

Part has according to parts list

1221	P03	B5	Mark on endcover changed	960618	IG
969	P02		Pump nr.: 10-24475-02, tillk.	950208	AN
903	P01		P01 var A01. Rit nr. var 940223	940811	AN

**F7B-902 Impeller pump**  
**Art. No. 10-24475-01**

Service Kit No. 09-45592

Part. No.	Description GB	Position	Quantity
01-24474-1	BODY F7B-9	1	1
01-42441	ENDCOVER F7B-	2	1
01-42445	GASKET F4B/F7B-	3	1
01-42584	CAM 1/2 F7B	4	1
01-45181	WASHER F5/F7B-9	5	1
01-46476	SHAFT F7B-9	6	1
01-46794-06	SCREW 12-24UNCX6.5 BRASS	7	1
0.0279.033	SCREW M5X8 ISO1207 BRASS	8	6
0.2173.402	O-RING 15.3X2.4 SS1586 NBR70	9	1
0.3431.742	BALL BEARING 6203 2 RS1 ST	10	2
0.2233.001	LIP SEAL 16X28X7 DPSM	11	2
0.0370.017	EXT. CIRCLIP D17 DIN471 ST	12	1
0.0371.040	RETAIN. RING BORE D40 DIN472 SPRST	13	1
08-1028B	IMPELLER	14	1

**F7B-903 Impeller pump**  
**Art. No. 10-24475-02**

Service Kit No. 09-45592

Part. No.	Description GB	Position	Quantity
01-24474-1	BODY F7B-9	1	1
01-42441	ENDCOVER F7B-	2	1
01-42445	GASKET F4B/F7B-	3	1
01-42442	CAM 2/3 F7B/F70B	4	1
01-45181	WASHER F5/F7B-9	5	1
01-46476	SHAFT F7B-9	6	1
01-46794-07	SCREW 12-24UNCX8 BRASS	7	1
0.0279.033	SCREW M5X8 ISO1207 BRASS	8	6
0.2173.402	O-RING 15.3X2.4 SS1586 NBR70	9	1
0.3431.742	BALL BEARING 6203 2 RS1 ST	10	2
0.2233.001	LIP SEAL 16X28X7 DPSM	11	2
0.0370.017	EXT. CIRCLIP D17 DIN471 ST	12	1
0.0371.040	RETAIN. RING BORE D40 DIN472 SPRST	13	1
08-1028B	IMPELLER	14	1