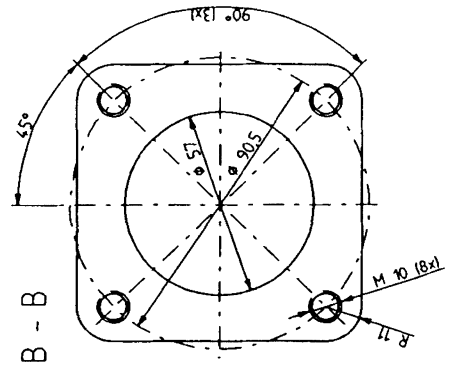
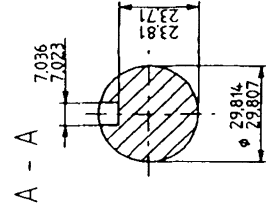


|                          |                     |                       |  |
|--------------------------|---------------------|-----------------------|--|
| Ritning nr<br>Drawing no | Pump nr/<br>Pump no | Pump typ<br>Pump type | Hållring på lock<br>Mark on endcover                             |
| 03-24430                 | 10-24430-01         | F9B - 9               |  |
|                          | 10-24430-01         | F9B - 9               | Pump typ + pump nr + måttkod<br>Pump type + pump no + month code |

Definier enligt stycklista  
Part nos according to parts list



|  |  |          |  |     |  |     |  |
|--|--|----------|--|-----|--|-----|--|
| JOHNSON PUMP<br>JOHNSON PUMPS<br>JOHNSON PUMPS |  | 9104.04  |  | PJ  |  | 1:1 |  |
| Johnson Impellerpump<br>Type F9B-9             |  | 03-24430 |  | P01 |  | P01 |  |

|     |                       |        |    |
|-----|-----------------------|--------|----|
| P01 | Original P01 var. B03 | 910370 | PJ |
|-----|-----------------------|--------|----|

**Assembly drawing No.: 03-24430**

F9B-9 Impeller pump OEM / Art. no. 10-24430-01

| Position | Quantity | Part Number | Description             |
|----------|----------|-------------|-------------------------|
| 1        | 1        | 01-13003    | Body                    |
| 2        | 1        | 01-24433-1  | Bearing housing         |
| 3        | 1        | 01-35698    | Shaft                   |
| 4        | 1        | 01-45018    | Cam 1/1                 |
| 5        | 1        | 08-814B     | Impeller                |
| 6        | 1        | 01-42426    | Pin                     |
| 7        | 1        | 01-42423    | Wear plate              |
| 8        | 1        | 01-42424    | Gasket                  |
| 9        | 1        | 05-34-108   | Retaining ring          |
| 10       | 1        | 05-34-502   | Retaining ring          |
| 11       | 1        | 01-42422-1  | End cover               |
| 12       | 1        | 01-42427-15 | Slinger                 |
| 13       | 1        | 05-29-517   | Lip seal                |
| 14       | 1        | 05-20-118   | Mechanical seal, compl. |
| 16       | 1        | 05-08-505   | Ball bearing            |
| 17       | 4        | 05-02-101   | Washer                  |
| 18       | 4        | 05-01-131   | Washer                  |
| 19       | 4        | 05-04-128   | Screw                   |
| 20       | 1        | 05-04-108   | Screw                   |
| 21       | 5        | 05-04-148   | Screw                   |
| 22       | 1        | 05-05-524   | Lock nut M28x1.5        |
| 23       | 1        | 05-02-520   | Washer                  |