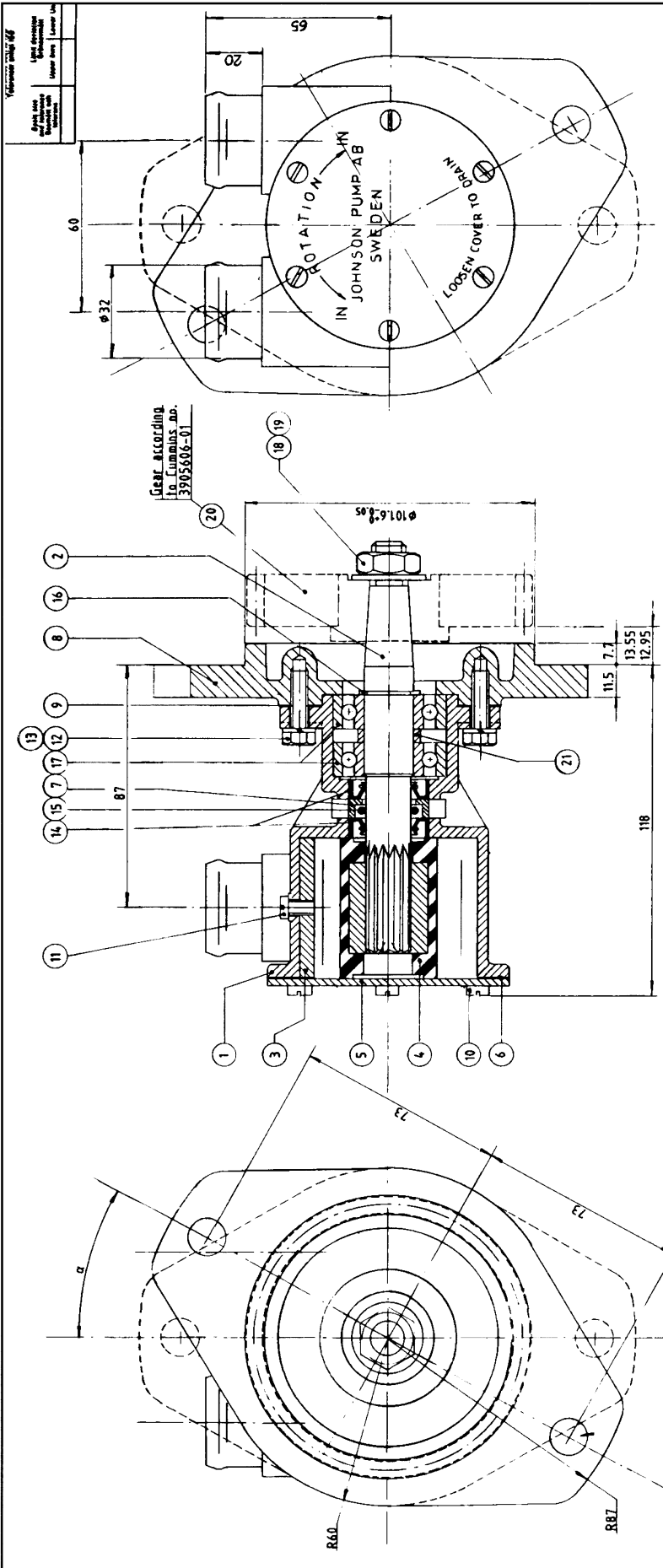


article number 10-24329 pump F7B-9



#	1	Service kit	01-45592
21	1	Distanshylsa - Spacer	01-46009
20	1	Kuggdjul - Gear	See table
19	1	Bricka - Washer	05-01-507
18	1	Mutter - Nut	05-05-503
17	2	Kullager - Ball bearing	05-08-129
16	1	Låsring - Retaining ring	05-34-71
15	1	O-ring	05-06-501
14	2	Löplåtning - Lipsel	05-29-105
13	4	Bricka - Washer	05-01-115
12	4	Skruv - Screw	05-04-114
11	1	Skruv - Screw	See table
10	6	Skruv - Screw	05-04-174
9	1	Packning - Gasket	01-45754
8	1	Fläns - Flange	01-45801
7	1	Bricka - Washer	01-45801
6	1	Packning - Gasket	01-42445
5	1	Lock - Endcover	01-42441
4	1	Impeller - Cam	08-30288
3	1	Keil - Cam	See table
2	1	Axel - Shaft	01-35301
1	1	Pumphus - Body	01-45947

Pump no.	Pump type	α	Cam No.	Thickness	Screw	Gear
10-24329-01 F7B-9			01-42479	1/1 6.2	05-04-107	
10-24329-02 F7B-903			01-42472	2/3 6.2	05-04-114	01-46012
10-24329-03 F7B-902		29°	01-42586	1/2 3.3	02-04-125	
10-24329-04 F7B-901			01-42679	1/1 6.2	02-04-107	
10-24329-05 F7B-903			01-42442	2/3 4.1	05-04-144	
10-24329-06 F7B-902			01-42586	1/2 3.3	05-04-125	
10-24329-07 F7B-9			01-42679	1/1 6.2	05-04-107	
10-24329-08 F7B-903			01-42442	2/3 4.7	05-04-144	01-46012
10-24329-09 F7B-902		0°	01-42586	1/2 3.3	05-04-125	
10-24329-10 F7B-9			01-42679	1/1 6.2	05-04-107	
10-24329-11 F7B-903			01-42442	2/3 4.7	05-04-144	
10-24329-12 F7B-902			01-42586	1/2 3.3	05-04-125	

S.61	P04	B1	Pos. 104-49947 var 01-45947	900004	RE
275	P02	F1	Ansli höjd 65 och 19 inf. i skedlista	010710	JT
	P02	B8	Kanskräv 05-04-144 THK.	871208	TE