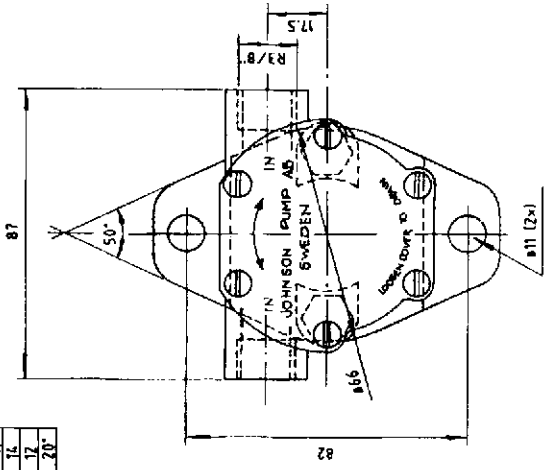
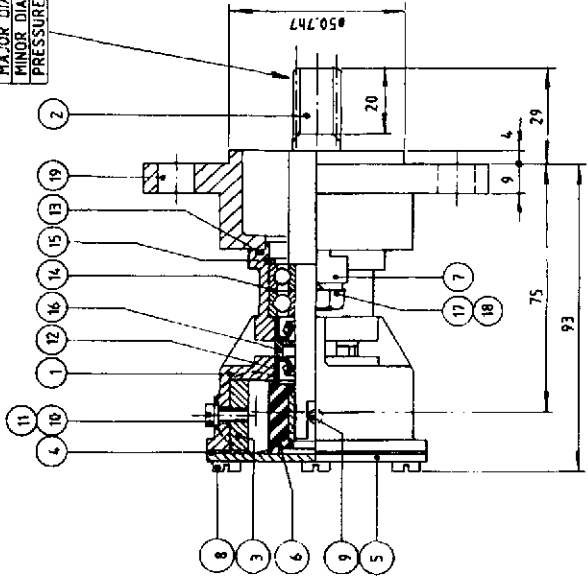


article number 10-24326 pump F4B-9

SPURGE SPECIFICATION	
NO. OF TEETH	12
MODUL	1.0
HA TOP DIA	16
MINOR DIA	14
PRESSURE ANGLE	20°



# 1 SERVICEKIT		99-55866	
19	1	FLANS - FLANGE	01-35291
18	2	BRICKA - WASHER	05-02-101
17	2	SKRUV - SCREW	05-04-621
16	1	BRICKA - WASHER	01-65955
15	1	LÅSRING - RETAINING RING	05-34-131
14	2	KULLAGER - BALL BEARING	05-08-503
13	1	O-RING	05-06-571
12	2	LÅPTÄTTNING - LIP SEAL	05-29-139
11	1	BRICKA - WASHER	SEE TABLE
10	1	SKRUV - SCREW	SEE TABLE
9	1	SKRUV - SCREW	05-04-163
8	6	SKRUV - SCREW	05-04-163
7	2	KLAPPEN - CLIP	01-65238
6	1	IMPELLER	08-8108
5	1	LOCK - END COVER	01-65287
4	1	PACKNING - GASKET	01-65284
3	1	AXEL - SHAFT	SEE TABLE
2	1	PUMPHUS - BODY	01-35239
1	1	IMPELLER	01-35239

PUMP NO	PUMPTYPE	CAM NO	THICKNESS	SCREW	WASHER NO	NOS.
10-24326-01	F4B-9	01-42389	1/1 5.3	05-04-114	05-01-120	1
10-24326-02	F4B-903	01-45288	2/3 4.0	05-04-163		
10-24326-03	F4B-902	01-45084	1/2 2.5	05-04-163		2

JOHNSON PUMP
 ENGINEERING - SWEDEN
 10-24326

JOHNSON PUMPS AB
 Box 100
 401 22
 SE-461 81
 ALINGSÅS
 SWEDEN

Telephone: +46 471 4217
 Telex: 317172
 Cable: 317172

© 1987 Johnson Pump AB
 All rights reserved. No part of this publication may be reproduced, stored in a retrieval system, or transmitted, in any form or by any means, electronic, mechanical, photocopying, recording, or by any information storage and retrieval system, without the prior written permission of Johnson Pump AB.

Printed in Sweden

87-08-12 JT 1/1

10-24326

10-24326

POI