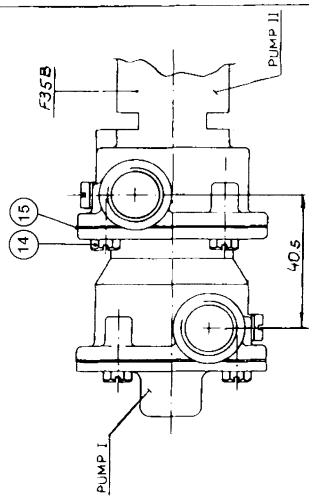
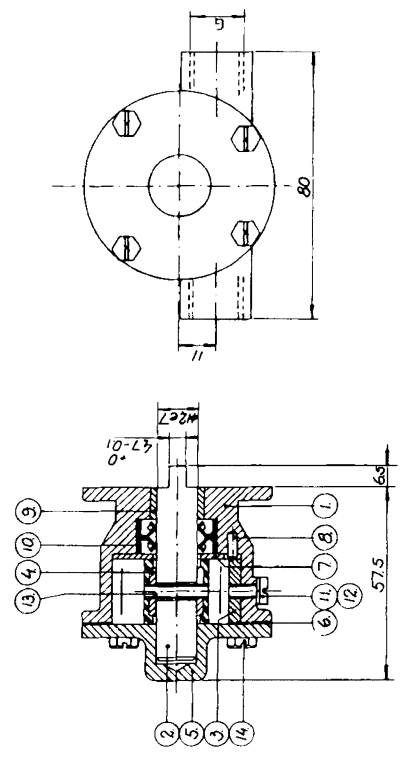


article number 10-24143 pump F35B-9

4 set screws 05-04-176 pos ⑩ each 1 st packing 01-43240 samt 1 st packing 01-45400 pos ⑥ lever set screws separate set gaskets for Pump II
 4 pos screw pos ④ and 1+ pos gasket pos ⑤ will be delivered separately to be used for Pump II

PUMP I



RECOMMENDATION FOR GASKET SELECTION PUMP II

HANDLING	
PUMP II	GASKET ⑤
Seawater	01-43240 P-015
Closed Fresh Water System	01-45400 P-040 RECOMMEND

Pump no	Pump 1	Gasket ⑥	Cam ⑦	Screw ⑧	Body ①	G
10-24143-1	Seawater	01-43240 P-015	01-42416	05-04-553	01-35062-1	ISO 7/1-Rp 3/8
10-24143-2	Closed Fresh Water System	01-45400 P-040	01-42910	05-04-114	01-35062-3	3/8-18 NPTF
10-24143-3	Seawater	01-43240 P-015	01-42910	05-04-114	01-35062-3	3/8-18 NPTF
10-24143-4	Closed Fresh Water System	01-45400 P-040	01-42910	05-04-114	01-35062-3	3/8-18 NPTF
10-24143-5	Seawater	01-43240 P-015	01-42910	05-04-114	01-35062-3	3/8-18 NPTF

Rev	Part No	Part No	Rev	Date	Drawn	App
1	10-24143-2	10-24143-2	1	01-11-03	JM	
2	10-24143-3	10-24143-3	1	01-07-27	JM	
3	10-24143-4	10-24143-4	1	01-07-27	JM	
4	10-24143-5	10-24143-5	1	01-07-27	JM	

Part No	Part No	Description	Material	Dimension	Rev
15	1	Packing	Gasket		01-45400 (for repair)
14	8	Screw	Gasket		01-43240 (for repair)
13	1	Screw	Screw		05-04-176
12	1	Screw	Screw		05-04-123
11	1	Bracket	Washer		See table
10	1	Impeller	Impeller		05-01-720
9	1	Lock	Lock		05-29-502
8	1	Shaft	Shaft		01-45100
7	1	Washer	Washer		01-42400
6	1	Lock	Lock		01-45087
5	1	Impeller	Impeller		See table
4	1	Cam	Cam		01-45359
3	1	Impeller	Impeller		08-8008 B
2	1	Shaft	Shaft		See table
1	1	Pump Body	Body		01-45360

Rev	1/1
Scale	1/1
Date	20.11.1979
Drawn	JM
Part No	10-24142
Part No	10-24142
Part No	10-24142