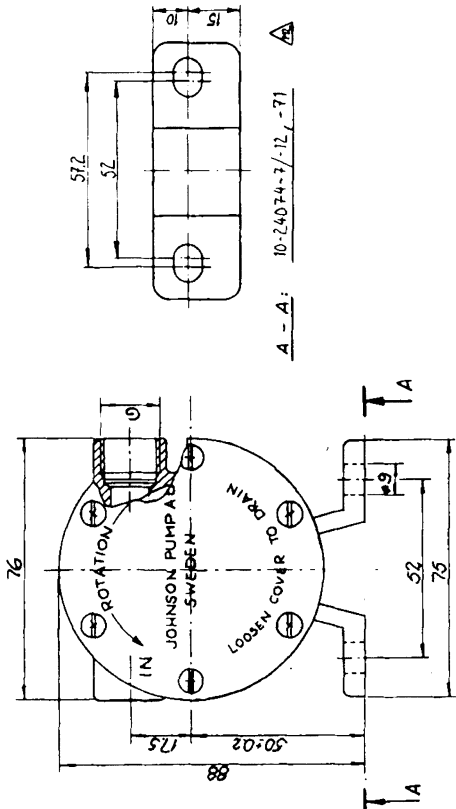
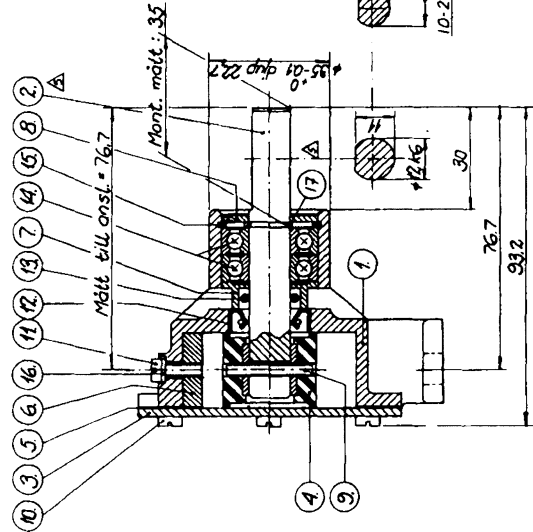




Multipurpose

Pump No. Mark on endcover
10-24074-1-3-5029-1
10-24074-13 CWP 31

Note! Label 01-35302-1 is to placed in centre of endcover 01-46007.



Pump No	Pump type	Impeller	Impeller No	Cam	Thickness	No.	Screw	Washer	Body	Thread	G. Endcover	Label	Shaft
10-24074-1	F4B-8	Neprene	08-810 B-9	01-42389	111	01-42389	05-04-115		01-35029-1	R 3/8"			
2	F4B-8	Neprene	08-810 B-9	01-45084	112	01-45084	05-04-163				01-42398		01-45069
3	F4B-8	Neprene	08-810 B-9	01-45288	213	01-45288	05-04-114						
4	F4B-8	Neprene	08-810 B-9	01-42389	111	01-42389	05-04-115	05-01-120					
5	F4B-8	Neprene	08-810 B-9	01-45084	112	01-45084	05-04-163						
6	F4B-8	Neprene	08-810 B-9	01-45288	213	01-45288	05-04-114						
7	F4B-8	Neprene	08-810 B-9	01-42389	111	01-42389	05-04-115		01-35029-1	R 3/8"		01-35302-1	01-46416
8	F4B-8	Neprene	08-810 B-9	01-45084	112	01-45084	05-04-163						
9	F4B-8	Neprene	08-810 B-9	01-45288	213	01-45288	05-04-114						
10	F4B-8	Neprene	08-810 B-9	01-42389	111	01-42389	05-04-115						
11	F4B-8	Neprene	08-810 B-9	01-45084	112	01-45084	05-04-163						
12	F4B-8	Neprene	08-810 B-9	01-45288	213	01-45288	05-04-114						
13	F4B-8	Neprene	08-810 B-9	01-42389	111	01-42389	05-04-115						
14	F4B-8	Neprene	08-810 B-9	01-45084	112	01-45084	05-04-163						
15	F4B-8	Neprene	08-810 B-9	01-45288	213	01-45288	05-04-114						

#	Service kit	Pump No.	10-24074-1-3-5-7-9-11-13-71	09-45587
#	Service kit	Pump No.	10-24074-2-4-6-8-10-12	09-45588
#	Service kit	Pump No.	10-24074-14	09-46625
19	Washer	Bricka		01-45659
18	Label	Märkskilt		See table
17	Retaining ring	Låsring	SgA 12	05-34-501
16	Washer	Bricka	87x84x1	See table
15	Retaining ring	Låsring		05-34-131
14	Ball bearing	Kullager	6001 2RS	05-08-130
13	O-ring	O-ring	611.3 x 62.4	05-06-513
12	Lip seal	Läpptätning	DPSM 12247	05-29-139
11	Screw	Skruv	M4x8	See table
10	Screw	Skruv	Nr.10-32 UNF x 25	05-04-642
9	Screw	Skruv	Bricka	05-04-124
8	Washer	Bricka		01-45049
7	Washer	Bricka		01-45050
6	Cam	Kam		See table
5	Gasket	Packning		01-42391
4	Impeller	Impeller		See table
3	End cover	Lock		See table
2	Shaft	Axel		See table
1	Body	Pumphus		See table

Replaced by F4B-8
Art. No. 10-24570