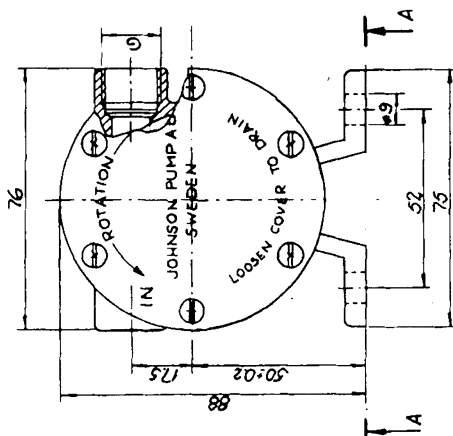
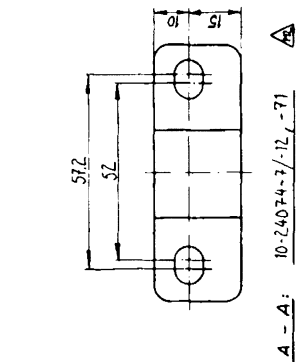
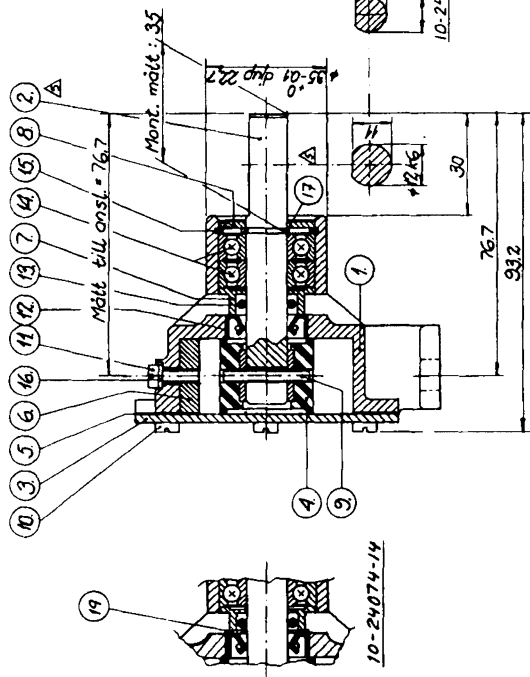


Pump No. Mark on endcover  
 10-24074-1-23774  
 10-24074-13  
 Pump type + No. + monthly code  
 CWP 31

Note! Label 01-35302-1 is to placed  
 in centre of endcover 01-46007.



Pump No	Pump type	Rollerball	Impeller	Cam	Washer	Body	Thread G.	Endcover	Label	Shaft
10-24074-1	F4B-8	Neprene	08-810 B-9	01-42389	05-04-115	01-35029-1	R3/8"	01-42398		
2	F4B-8	NiBr16	08-810 B-9	01-45084	05-04-163					
3	F4B-8	Neprene	08-810 B-9	01-45288	05-04-114					
4	F4B-8	NiBr16	08-810 B-9	01-42389	05-04-115					
5	F4B-8	Neprene	08-810 B-9	01-45084	05-04-114					
6	F4B-8	NiBr16	08-810 B-9	01-45288	05-04-115					
7	F4B-8	Neprene	08-810 B-9	01-42389	05-04-115					
8	F4B-8	NiBr16	08-810 B-9	01-45084	05-04-114					
9	F4B-8	Neprene	08-810 B-9	01-42389	05-04-115					
10	F4B-8	NiBr16	08-810 B-9	01-45288	05-04-115					
11	F4B-8	Neprene	08-810 B-9	01-42389	05-04-115					
12	F4B-8	NiBr16	08-810 B-9	01-45084	05-04-114					
13	F4B-8	Neprene	08-810 B-9	01-42389	05-04-115					
14	F4B-8	NiBr16	08-810 B-9	01-45288	05-04-115					
15	F4B-8	Neprene	08-810 B-9	01-42389	05-04-115					
16	F4B-8	NiBr16	08-810 B-9	01-45084	05-04-114					
17	F4B-8	Neprene	08-810 B-9	01-42389	05-04-115					
18	F4B-8	NiBr16	08-810 B-9	01-45288	05-04-115					
19	F4B-8	Neprene	08-810 B-9	01-42389	05-04-115					

Part No	Part Name	Material	Qty	Unit
76-0520	ØN		1	
940816	ØN		1	
940324	TE		1	
930610	TE		1	
921126	TE		1	
871116	JT		1	
71-932	ØL		1	
Ø 42-12	ØL		1	
Ø 41-12	ØL		1	
Ø 39-12	ØL		1	
Ø 38-12	ØL		1	
Ø 37-12	ØL		1	
Ø 36-12	ØL		1	
Ø 35-12	ØL		1	
Ø 34-12	ØL		1	
Ø 33-12	ØL		1	
Ø 32-12	ØL		1	
Ø 31-12	ØL		1	
Ø 30-12	ØL		1	
Ø 29-12	ØL		1	
Ø 28-12	ØL		1	
Ø 27-12	ØL		1	
Ø 26-12	ØL		1	
Ø 25-12	ØL		1	
Ø 24-12	ØL		1	
Ø 23-12	ØL		1	
Ø 22-12	ØL		1	
Ø 21-12	ØL		1	
Ø 20-12	ØL		1	
Ø 19-12	ØL		1	
Ø 18-12	ØL		1	
Ø 17-12	ØL		1	
Ø 16-12	ØL		1	
Ø 15-12	ØL		1	
Ø 14-12	ØL		1	
Ø 13-12	ØL		1	
Ø 12-12	ØL		1	
Ø 11-12	ØL		1	
Ø 10-12	ØL		1	
Ø 9-12	ØL		1	
Ø 8-12	ØL		1	
Ø 7-12	ØL		1	
Ø 6-12	ØL		1	
Ø 5-12	ØL		1	
Ø 4-12	ØL		1	
Ø 3-12	ØL		1	
Ø 2-12	ØL		1	
Ø 1-12	ØL		1	

Replaced by F4B-8  
 Art. No. 10-24570