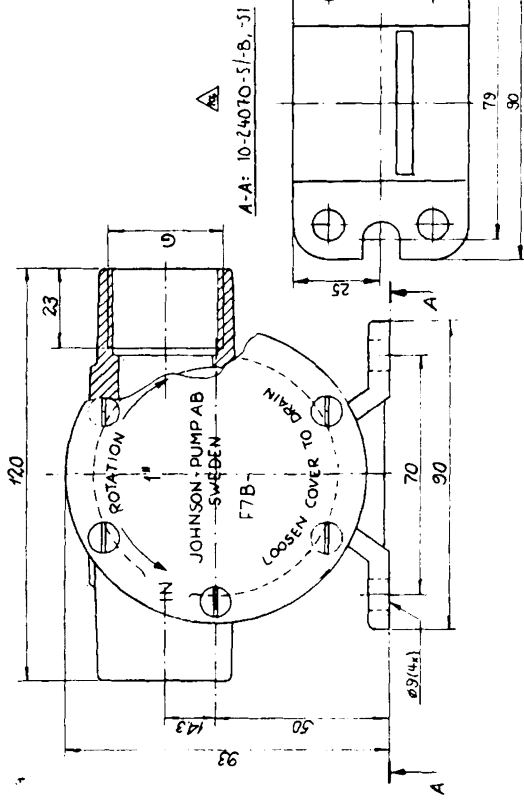
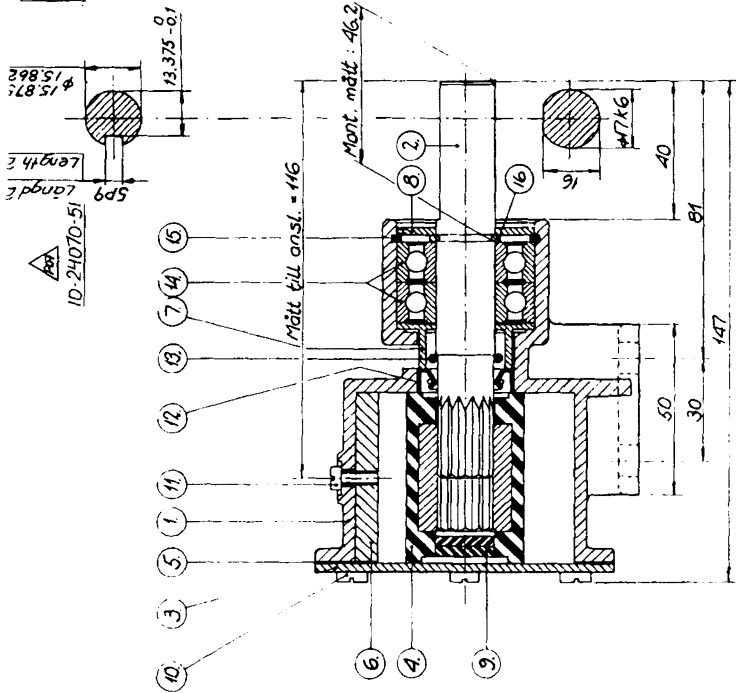


JOHNSON PUMP AB ÖREBRO

Pump No.  
10-24070-1/2-51  
10-24070-9  
Mark on endcover  
Pump type + No. + weekly code  
CWP107

Note! Label 01-35302-1 is to be placed  
in centre of endcover 01-46005.



Pump No.	Pump type/Endcover	Label	Descrpt. or Thickness	Cam	Impeller	Screw	Body/Thread G	Shaft
10-24070-1	F7B-8		1/1	6.2	08-1028B	05-04-107	01-24065-1	01-45045
-2	F7B-89		1/1	6.2	08-1028B-9	05-04-107	G = R1*	
-3	F7B-803		2/3	4.7	08-1028B	05-04-144		
-4	F7B-893	01-42441	2/3	4.7	08-1028B-9	05-04-144		
-5	F7B-8007		1/1	6.2	08-1028B	05-04-107	01-24065-2	
-6	F7B-8907		2/3	4.7	08-1028B-9	05-04-144	G = 1" - 11/2 NPTF	
-7	F7B-8937		1/1	6.2	08-1028B	05-04-107		
-8	F7B-8937		1/1	6.2	08-1028B	05-04-107		
-9	F7B-8	01-46005	1/1	6.2	08-1028B	05-04-107	01-24065-1	
-51	F7B-8007	01-42441	1/1	6.2	08-1028B	05-04-107	01-24065-2	01-46417

Replaced by F7B-8  
Art. No. 10-24572

1066	1067	1068	1069	1070	1071	1072	1073	1074	1075	1076	1077	1078	1079	1080	1081	1082	1083	1084	1085	1086	1087	1088	1089	1090
1066	1067	1068	1069	1070	1071	1072	1073	1074	1075	1076	1077	1078	1079	1080	1081	1082	1083	1084	1085	1086	1087	1088	1089	1090

1	2	3	4	5	6	7	8	9	10	11	12	13	14	15	16	17	18	19	20	21	22	23	24	25	26	27	28	29	30	31	32	33	34	35	36	37	38	39	40	41	42	43	44	45	46	47	48	49	50
1	2	3	4	5	6	7	8	9	10	11	12	13	14	15	16	17	18	19	20	21	22	23	24	25	26	27	28	29	30	31	32	33	34	35	36	37	38	39	40	41	42	43	44	45	46	47	48	49	50

Multipurpose