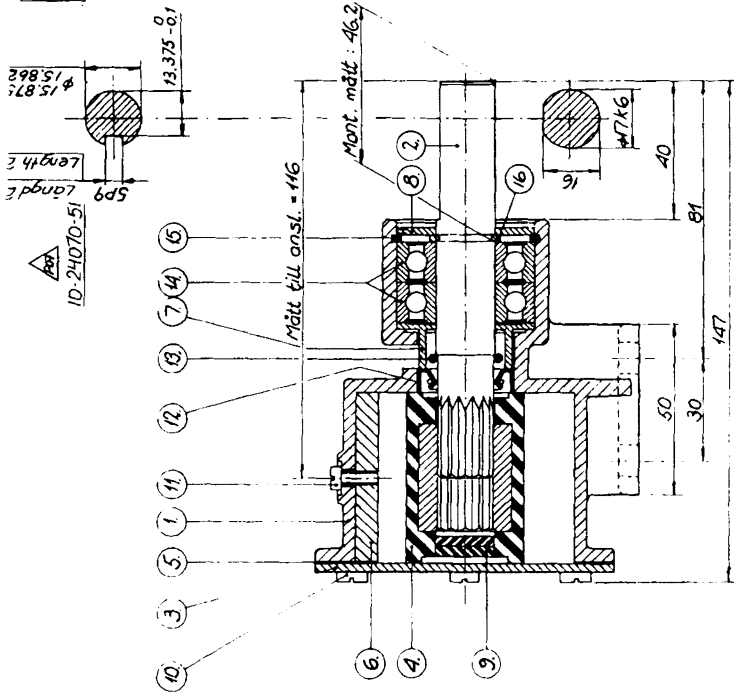


JOHNSON PUMP AB ÖREBRO

Mark on endcover
 Pump No. 10-24070-1/2-51
 Pump type + No. + weekly code
 10-24070-9 CWP107

Note! Label 01-35302-1 is to be placed
 in centre of endcover 01-46005.



| Pump No. | Pump type/Endcover | Label | Descript. or | Cam Thickness | Impeller Rubber aval. | No. | Screw | Body/Thread G | Shaft |
|------------|--------------------|----------|--------------|---------------|-----------------------|------------|-----------|------------------|----------|
| 10-24070-1 | F7B-8 | | 1/1 | 6.2 | Neoprene | 08-1028B | 05-04-107 | | |
| -2 | F7B-89 | | 1/1 | 6.2 | Nitrile | 08-1028B-9 | 05-04-107 | 01-24065-1 | |
| -3 | F7B-803 | | 2/3 | 4.7 | Neoprene | 08-1028B | 05-04-144 | G = R1* | |
| -4 | F7B-893 | 01-42441 | 2/3 | 4.7 | Nitrile | 08-1028B-9 | 05-04-144 | | 01-45045 |
| -5 | F7B-8007 | | 1/1 | 6.2 | Neoprene | 08-1028B | 05-04-107 | 01-24065-2 | |
| -6 | F7B-8907 | | 2/3 | 4.7 | Nitrile | 08-1028B-9 | 05-04-144 | G 1" - 11/2 NPTF | |
| -7 | F7B-8937 | | 1/1 | 6.2 | Neoprene | 08-1028B | 05-04-107 | | |
| -8 | F7B-8937 | | 1/1 | 6.2 | Neoprene | 08-1028B | 05-04-107 | | |
| -9 | F7B-8 | 01-46005 | 1/1 | 6.2 | Neoprene | 08-1028B | 05-04-107 | 01-24065-1 | |
| -51 | F7B-8007 | 01-42441 | 1/1 | 6.2 | Neoprene | 08-1028B | 05-04-107 | 01-24065-2 | 01-46417 |

Replaced by F7B-8
 Art. No. 10-24572

| 1066 | 1067 | 1068 | 1069 | 1070 | 1071 | 1072 | 1073 | 1074 | 1075 | 1076 | 1077 | 1078 | 1079 | 1080 |
|------|------|------|------|------|------|------|------|------|------|------|------|------|------|------|
| 1066 | 1067 | 1068 | 1069 | 1070 | 1071 | 1072 | 1073 | 1074 | 1075 | 1076 | 1077 | 1078 | 1079 | 1080 |
| 1066 | 1067 | 1068 | 1069 | 1070 | 1071 | 1072 | 1073 | 1074 | 1075 | 1076 | 1077 | 1078 | 1079 | 1080 |

| 1 | 2 | 3 | 4 | 5 | 6 | 7 | 8 | 9 | 10 | 11 | 12 | 13 | 14 | 15 | 16 | 17 | 18 | 19 | 20 | 21 | 22 | 23 | 24 | 25 | 26 | 27 | 28 | 29 | 30 | 31 | 32 | 33 | 34 | 35 | 36 | 37 | 38 | 39 | 40 | 41 | 42 | 43 | 44 | 45 | 46 | 47 | 48 | 49 | 50 | 51 | 52 | 53 | 54 | 55 | 56 | 57 | 58 | 59 | 60 | 61 | 62 | 63 | 64 | 65 | 66 | 67 | 68 | 69 | 70 | 71 | 72 | 73 | 74 | 75 | 76 | 77 | 78 | 79 | 80 | 81 | 82 | 83 | 84 | 85 | 86 | 87 | 88 | 89 | 90 | 91 | 92 | 93 | 94 | 95 | 96 | 97 | 98 | 99 | 100 |
|---|---|---|---|---|---|---|---|---|----|----|----|----|----|----|----|----|----|----|----|----|----|----|----|----|----|----|----|----|----|----|----|----|----|----|----|----|----|----|----|----|----|----|----|----|----|----|----|----|----|----|----|----|----|----|----|----|----|----|----|----|----|----|----|----|----|----|----|----|----|----|----|----|----|----|----|----|----|----|----|----|----|----|----|----|----|----|----|----|----|----|----|----|----|----|----|----|----|----|-----|
| 1 | 2 | 3 | 4 | 5 | 6 | 7 | 8 | 9 | 10 | 11 | 12 | 13 | 14 | 15 | 16 | 17 | 18 | 19 | 20 | 21 | 22 | 23 | 24 | 25 | 26 | 27 | 28 | 29 | 30 | 31 | 32 | 33 | 34 | 35 | 36 | 37 | 38 | 39 | 40 | 41 | 42 | 43 | 44 | 45 | 46 | 47 | 48 | 49 | 50 | 51 | 52 | 53 | 54 | 55 | 56 | 57 | 58 | 59 | 60 | 61 | 62 | 63 | 64 | 65 | 66 | 67 | 68 | 69 | 70 | 71 | 72 | 73 | 74 | 75 | 76 | 77 | 78 | 79 | 80 | 81 | 82 | 83 | 84 | 85 | 86 | 87 | 88 | 89 | 90 | 91 | 92 | 93 | 94 | 95 | 96 | 97 | 98 | 99 | 100 |

Multipurpose