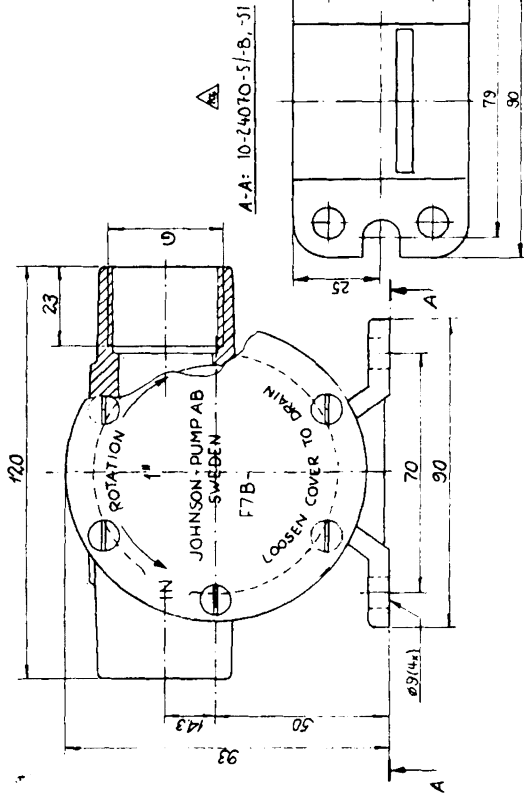
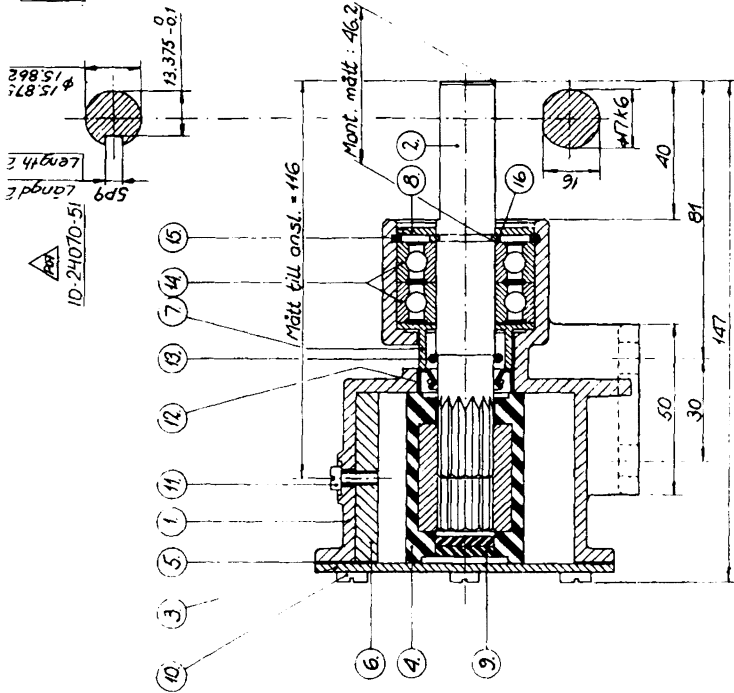


JOHNSON PUMP AB ÖREBRO

Mark on endcover
 Pump No. 10-24070-1/2-51
 Pump type + No. + weekly code
 10-24070-9 CWP107

Note! Label 01-35302-1 is to be placed
 in centre of endcover 01-46005.



Pump No.	Pumptype/Endcover	Label	Descrpt. or Thickness	Cam	Impeller	Screw	Body/Thread G	Shaft
10-24070-1	F7B-8		1/1	6.2	08-1028B	05-04-107		
-2	F7B-89		1/1	6.2	08-1028B-9	05-04-107	01-24065-1	
-3	F7B-803		2/3	4.7	08-1028B	05-04-144	G = R1*	
-4	F7B-893	01-42441	2/3	4.7	08-1028B	05-04-144		01-45045
-5	F7B-8007		1/1	6.2	08-1028B	05-04-107	01-24065-2	
-6	F7B-8907		2/3	4.7	08-1028B-9	05-04-144	G 1" - 11/2 NPTF	
-7	F7B-8937		1/1	6.2	08-1028B	05-04-107		
-8	F7B-8937		1/1	6.2	08-1028B	05-04-107		
-9	F7B-8	01-46005	1/1	6.2	08-1028B	05-04-107	01-24065-1	
-51	F7B-8007	01-42441	1/1	6.2	08-1028B	05-04-107	01-24065-2	01-46417

Replaced by F7B-8
 Art. No. 10-24572

1066	1067	1068	1069	1070	1071	1072	1073	1074	1075	1076	1077	1078	1079	1080
1066	1067	1068	1069	1070	1071	1072	1073	1074	1075	1076	1077	1078	1079	1080
1066	1067	1068	1069	1070	1071	1072	1073	1074	1075	1076	1077	1078	1079	1080

1	2	3	4	5	6	7	8	9	10	11	12	13	14	15	16	17	18	19	20	21	22	23	24	25	26	27	28	29	30	31	32	33	34	35	36	37	38	39	40	41	42	43	44	45	46	47	48	49	50	51	52	53	54	55	56	57	58	59	60	61	62	63	64	65	66	67	68	69	70	71	72	73	74	75	76	77	78	79	80	81	82	83	84	85	86	87	88	89	90	91	92	93	94	95	96	97	98	99	100
1	2	3	4	5	6	7	8	9	10	11	12	13	14	15	16	17	18	19	20	21	22	23	24	25	26	27	28	29	30	31	32	33	34	35	36	37	38	39	40	41	42	43	44	45	46	47	48	49	50	51	52	53	54	55	56	57	58	59	60	61	62	63	64	65	66	67	68	69	70	71	72	73	74	75	76	77	78	79	80	81	82	83	84	85	86	87	88	89	90	91	92	93	94	95	96	97	98	99	100

Multipurpose