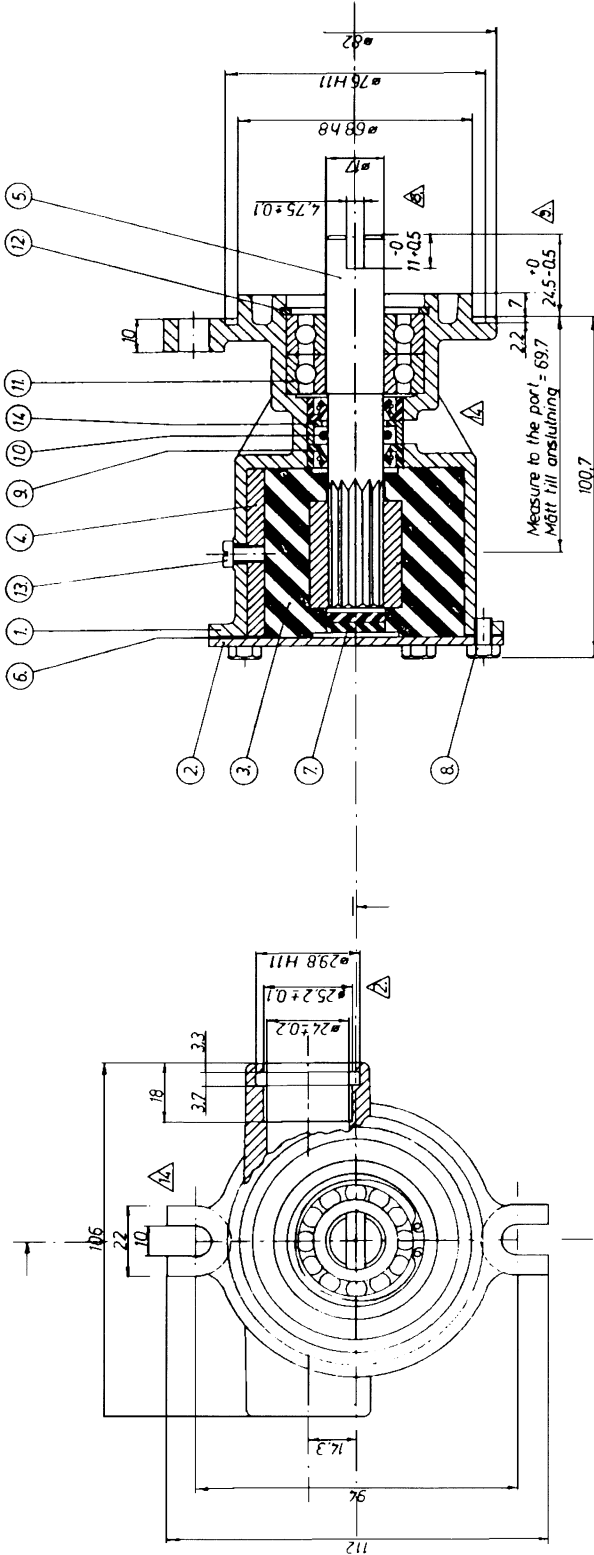


10-24061-17-27-37-3
 PUMP NO.
 Service kit
 09-45868

Pump No. Pump Nr.	Pumptype Pumptyp	Cam Kam No. Nr.	Cam Kam Thickness Tjocklek	Screw Skruv	Endcover Lock	Mark on endcover Märkes på lock
10-24061-3	F7B-9	01-42679	11	05-04-144	01-42441	
10-24061-4	F7B-902	01-42384	12	05-04-125		F7B-9 = 10-24061-3 + man.vecc.werk F7B-902 = 10-24061-4 + man.vecc.werk



10-24061-17-27-37-3
 PUMP NO.
 Service kit
 09-45868

Part No.	Part Name	Material	Dimension	Ann. of. ref. nr.
14	1	Bricka	Nr 12	01-45181
14	1	Skruv	2 LUNG x 8	see table
14	1	Lagring	50H 40	05-32-130
11	2	Kullager	6203	05-08-199
10	2	O-ring	15.3 x 2.4	05-08-501
9	2	Låpätätning	DPSM 15287	05-29-105
8	6	Skruv	M5 x 8	05-04-550
7	2	Gummibricka		01-42216
6	1	Packning		01-42215
5	1	Axel		01-45044
4	1	Kam		see table
3	1	Impeller	08-10289	
2	1	Lock		see table
1	1	Endcover		see table
	1	Body		01-24062

Material	Material	Material	Material	Material
Risad	Risad	Risad	Risad	Risad
5-8-75	5-8-75	5-8-75	5-8-75	5-8-75
0.1	0.1	0.1	0.1	0.1

Part No.	Part Name	Material	Dimension	Ann. of. ref. nr.
16	16	16	16	16
15	15	15	15	15
14	14	14	14	14
13	13	13	13	13
12	12	12	12	12
11	11	11	11	11
10	10	10	10	10
9	9	9	9	9
8	8	8	8	8
7	7	7	7	7
6	6	6	6	6
5	5	5	5	5
4	4	4	4	4
3	3	3	3	3
2	2	2	2	2
1	1	1	1	1

10-24061-17-27-37-3
 PUMP NO.
 Service kit
 09-45868