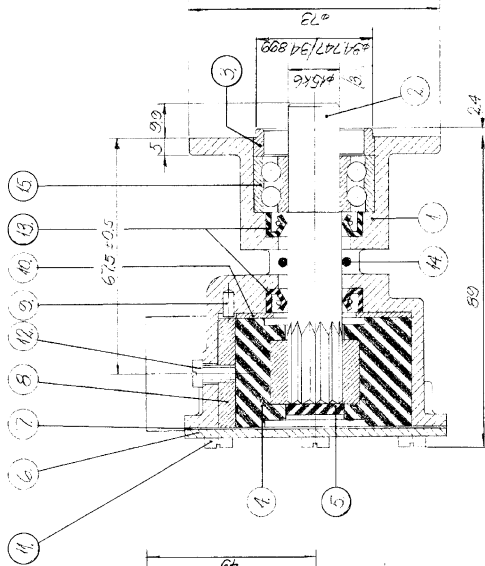
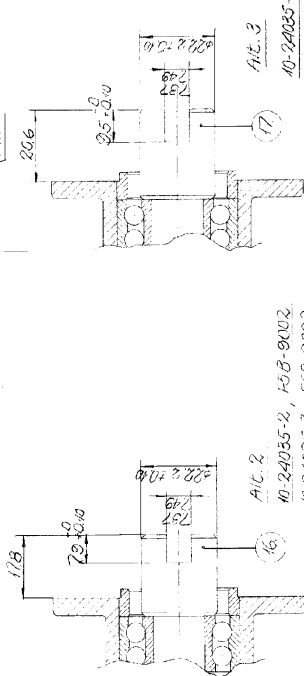
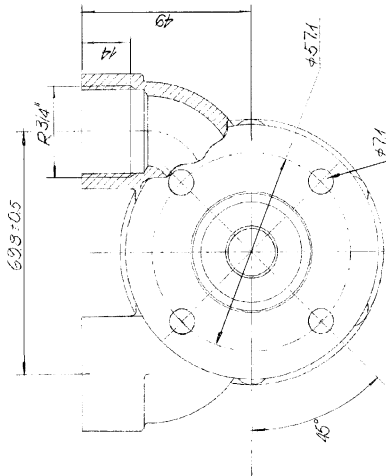


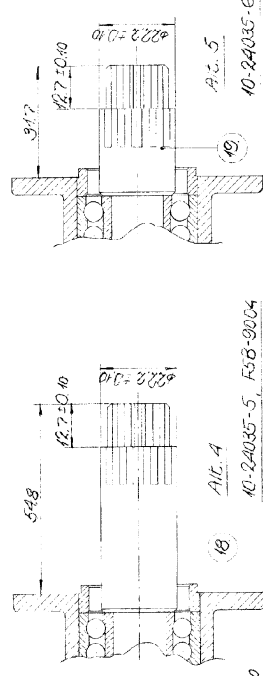
DRINA STERNING AB PÅ SVERIGEN ÖST  
 SÄLLA AV RIGARNA ÅTER JÄMNA OCH  
 SÄDDA FÖR PÅ INTERIÖN  
 JOHNSON PUMP AB ÖREBRO



Model number	Impeller	Cam	Cam screw	Coupling	Alt.
10-24035-1	F5B-9004	1/1	01-42337	105-04-H7	1
10-24035-2	F5B-9002	1/1	01-42397	105-04-H7	1
10-24035-3	F5B-9002	1/2	01-45014	105-04-175	2
10-24035-4	F5B-9003	1/1	01-42337	105-04-H7	1
10-24035-5	F5B-9004	1/1	01-42337	105-04-H7	1
10-24035-6	F5B-9005	1/1	01-42397	105-04-H7	1



SAE involute splines  
 SAE involute 199  
 Diametrical pitch : 20.40  
 Pressure Angle : 30°  
 Number of teeth : 19  
 Add-on fuggar : 17.78-0.40  
 Pitch diameter : 16.51  
 Minor diameter : 14.88-0.20



53	3	145.16	var	45.56	16
	1	102.15	Snitt	102.15	16
	1	102.75	var typ 3502	102.75	16

Detail	Alt.	Material	Dimension
Splines coupling	19	1	145.16
Splines coupling	18	1	102.15
Technical coupling	17	1	102.75
Ball bearing	16	1	102.15
O-ring	15	1	102.15
Lip seal	14	2	102.15
Cam screw	13	1	102.15
End cover screw	12	1	102.15
Cam plate	11	1	102.15
Cam	10	1	102.15
Gasket	9	1	102.15
End cover	8	1	102.15
Rubber washer	7	1	102.15
Impeller	6	1	102.15
Guide	5	1	102.15
Shaft	4	1	102.15
Body	3	1	102.15

Dimensions in mm.  
 Matt i mm.