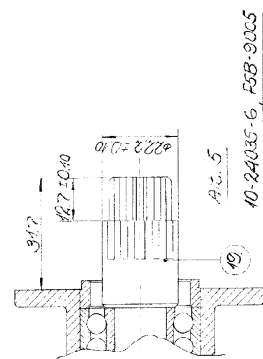
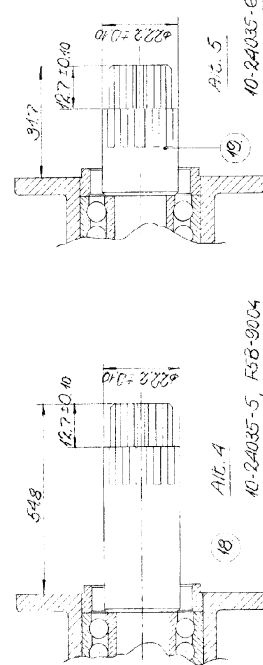
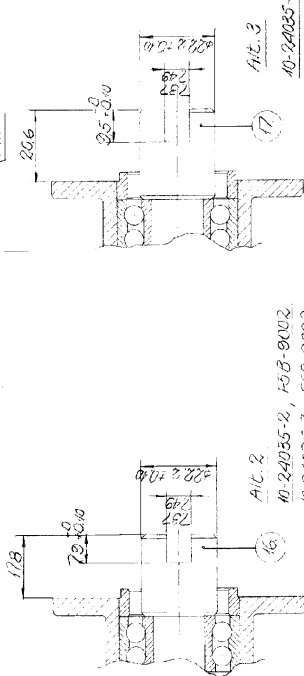
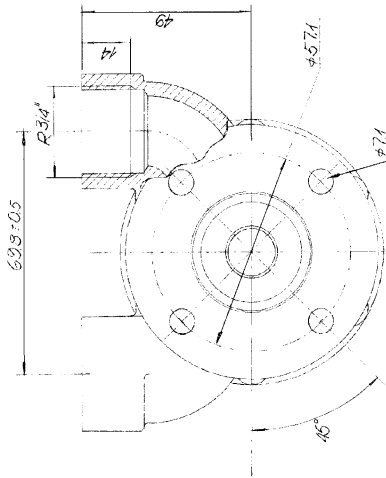
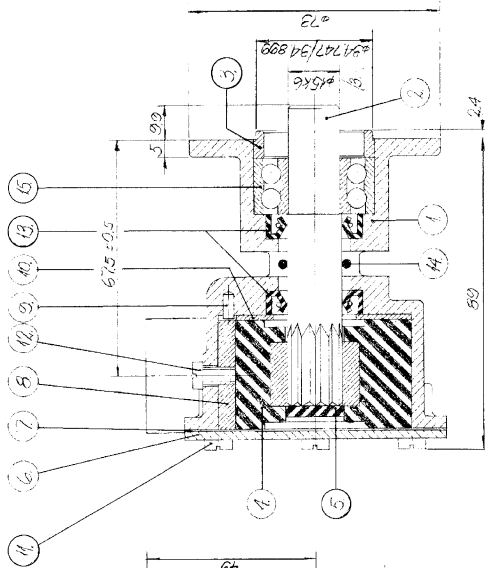


DRINNA STÄNNING AB PÅ SVERIGEN ÖST  
 SÄLLA 24, NISGÅRDEN ÅTER, JÄRKVÄG 110  
 SKÅNE, S-221 00, HÄRNASANDEN  
 JOHNSON PUMP AB ÖREBRO



Model number	Impeller type	Cam form	Cam screw	Coupling	Alt.
10-24035-1	F5B-9004	1/1	01-42337	05-04-H7	1
10-24035-2	F5B-9002	1/1	01-42337	05-04-H7	1
10-24035-3	F5B-9002	1/2	01-45014	05-04-H7	2
10-24035-4	F5B-9003	1/1	01-42337	05-04-H7	3
10-24035-5	F5B-9004	1/1	01-42337	05-04-H7	4
10-24035-6	F5B-9005	1/1	01-42337	05-04-H7	5

SAE involute spines  
 SAE involute 199  
 Diametrical pitch: 20.40  
 Pressure Angle 30°  
 Number of teeth 19  
 Add. Add. 17.18-0.40  
 Pitch diameter 16.51  
 Minor diameter 14.88-0.20

Spines coupling	19	1	Kjøp coupling	01-45029
Spines coupling	18	1	Kjøp coupling	01-45028
Spines coupling	17	1	Kjøp coupling	01-45031
Spines coupling	16	1	Kjøp coupling	01-45030
Ball bearing	15	1	Kjøp lager	05-03-827
O-ring	14	1	O-ring	05-06-807
Lip seal	13	2	Lipstiftning	05-20-165
Cam screw	12	1	Cam screw	05-04-602
End cover screw	11	6	Endskruv	01-42300
Cam plate	10	1	Cam plate	01-42300
Cam	9	1	Cam	01-42300
Gasket	8	1	Gasket	01-42300
End cover	7	1	Endskruv	01-42300
Rubber washer	5	1	Gummiløst	08-10275
Impeller	4	1	Impeller	01-45024
Guide	3	1	Guide	01-45025
Shaft	2	1	Shaft	01-45025
Body	1	1	Body	01-45025

Design	Alt	Benämning	Material	Dimension	Ann. ei. ritn. nr
19	1	Kjøp coupling	Stål	10-24035	
18	1	Kjøp coupling	Stål	10-24035	
17	1	Kjøp coupling	Stål	10-24035	
16	1	Kjøp coupling	Stål	10-24035	
15	1	Kjøp lager	Stål	10-24035	
14	1	O-ring	Stål	10-24035	
13	2	Lipstiftning	Stål	10-24035	
12	1	Cam screw	Stål	10-24035	
11	6	Endskruv	Stål	10-24035	
10	1	Cam plate	Stål	10-24035	
9	1	Cam	Stål	10-24035	
8	1	Gasket	Stål	10-24035	
7	1	Endskruv	Stål	10-24035	
6	1	Gummiløst	Stål	10-24035	
5	1	Impeller	Stål	10-24035	
4	1	Impeller	Stål	10-24035	
3	1	Guide	Stål	10-24035	
2	1	Shaft	Stål	10-24035	
1	1	Body	Stål	10-24035	

Dimensions in mm	Material
175.75	Stål
102.15	Stål
102.75	Stål

JOHNSON PUMP AB ÖREBRO

Titel: Johnson Impeller-pump  
 10-24035, F5B-9

Scale: 1:1

Article number: 10-24035