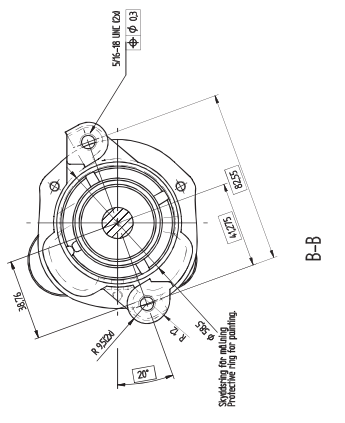
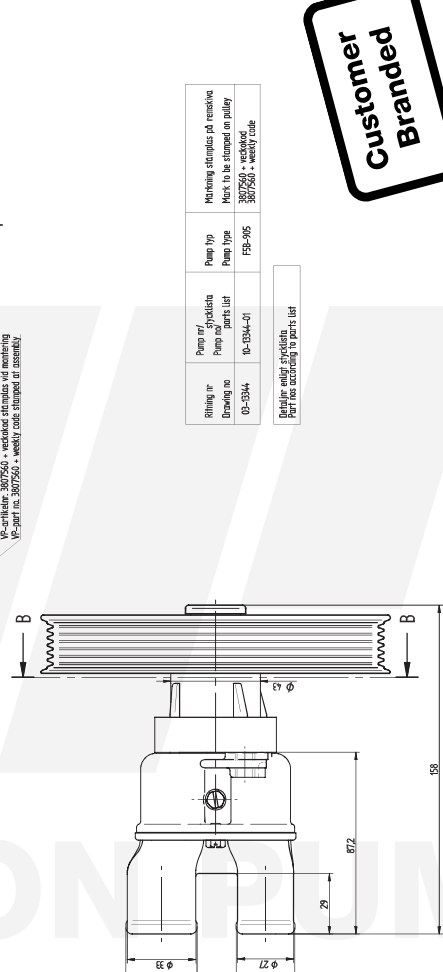
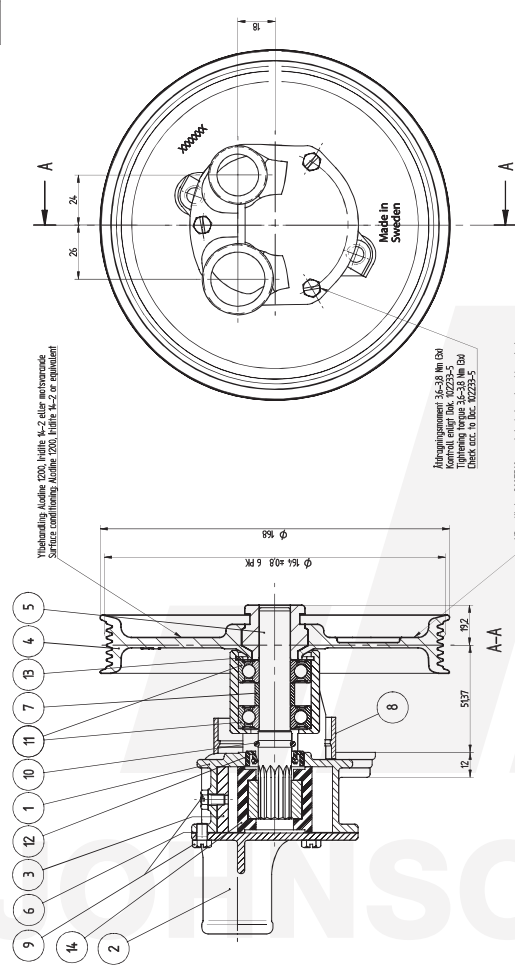


**F5B-9 Impeller pump**  
Art. No. 10-13344-01

Part no.	Description GB	Position	Quantity
01-24469-3	BODY F5B-9 (VPoA)	1	1
01-24470-1	ENDCOVER F5B-9 (VPoA)	2	1
01-46706	CAM F5B-9	3	1
01-13232	PULLEY PS2 (VPoA)	4	1
01-46475	SHAFT F5B-9	5	1
01-46540	GASKET F5B-9	6	1
01-46472	SPACER F5B-9	7	1
01-35862	PROTECTIVE RING	8	1
0.0141.502	SCREW M5X8 DIN933SLOTTED BRASS	9	4
0.2173.471	O-RING 14.3X2.4 SS 1586 NBR70	10	1
0.3431.761	BALL BEARING D 15 6202-2RST (ST)	11	2
0.2233.001	LIP SEAL 16X28X7 DPDM	12	1
0.0371.035	RETAIN RING BORE D35 DIN472 SPRST	13	1
08-1027B-01	IMPELLER VP825940	14	1



Impeller or Drawing to	01-1344
Pump ref. and/its Pump no./its ref.	10-1344-01
Pump type	F5B-9
Making standard or Mark to be stamped on pulley	ISO 9001 + weekly code

Detail for ready finished Part no. according to parts list

**Customer Branded**

DATE	2022-09-01	REV	01
DESIGNER	SPX JOHNSON PUMP	DATE	2022-09-01
CHECKER	SPX JOHNSON PUMP	DATE	2022-09-01
APPROVER	SPX JOHNSON PUMP	DATE	2022-09-01
SCALE	1:1	ART. NO.	10-13344
TYPE	Johnson Impeller pump	TYPE	Type F5B-9
NO. OF SHEETS	1	TOTAL NO. OF SHEETS	1
NO. OF PARTS	14	NO. OF PARTS	14
NO. OF DIMENSIONS	1	NO. OF DIMENSIONS	1
NO. OF TOLERANCES	1	NO. OF TOLERANCES	1
NO. OF SURFACES	1	NO. OF SURFACES	1
NO. OF MATERIALS	1	NO. OF MATERIALS	1
NO. OF FINISHES	1	NO. OF FINISHES	1
NO. OF COATINGS	1	NO. OF COATINGS	1
NO. OF PAINTS	1	NO. OF PAINTS	1
NO. OF GLAZES	1	NO. OF GLAZES	1
NO. OF BONDINGS	1	NO. OF BONDINGS	1
NO. OF WELDINGS	1	NO. OF WELDINGS	1
NO. OF SOLDERINGS	1	NO. OF SOLDERINGS	1
NO. OF BRASSINGS	1	NO. OF BRASSINGS	1
NO. OF ANODIZINGS	1	NO. OF ANODIZINGS	1
NO. OF POLISHINGS	1	NO. OF POLISHINGS	1
NO. OF BURNINGS	1	NO. OF BURNINGS	1
NO. OF TREATMENTS	1	NO. OF TREATMENTS	1
NO. OF COATINGS	1	NO. OF COATINGS	1
NO. OF PAINTS	1	NO. OF PAINTS	1
NO. OF GLAZES	1	NO. OF GLAZES	1
NO. OF BONDINGS	1	NO. OF BONDINGS	1
NO. OF WELDINGS	1	NO. OF WELDINGS	1
NO. OF SOLDERINGS	1	NO. OF SOLDERINGS	1
NO. OF BRASSINGS	1	NO. OF BRASSINGS	1
NO. OF ANODIZINGS	1	NO. OF ANODIZINGS	1
NO. OF POLISHINGS	1	NO. OF POLISHINGS	1
NO. OF BURNINGS	1	NO. OF BURNINGS	1
NO. OF TREATMENTS	1	NO. OF TREATMENTS	1