

Customer Branded

Project: 2592

03-13208

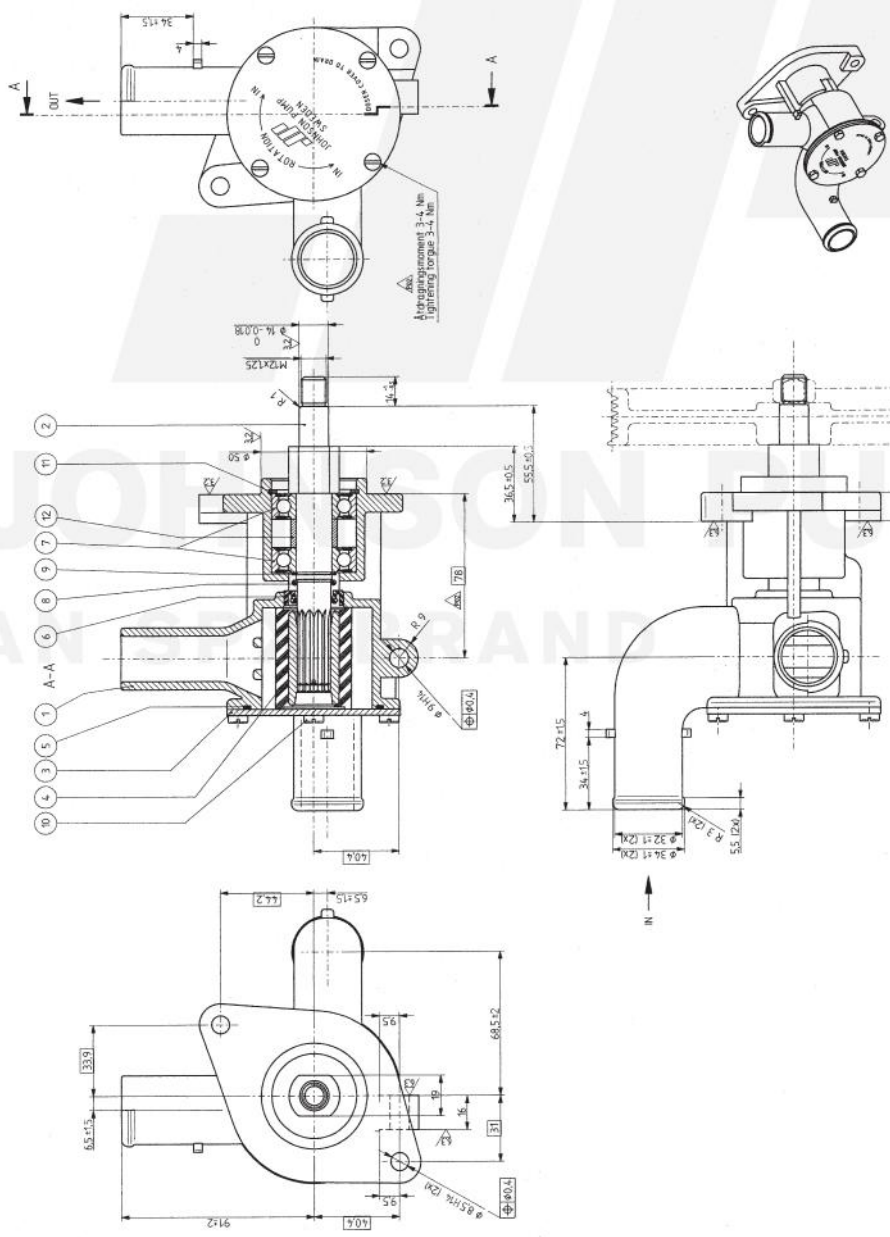
Johnson Pump F6B-9

For -97T

10-13208

31

P03



Design No.	Part No.	Part Name	Notes
01-0308	10-13208-01	F6B-9	Impeller lock with an anchor
			Impeller lock with an anchor

10-13208-01

10-13208-02

10-13208-03

10-13208-04

10-13208-05

10-13208-06

10-13208-07

10-13208-08

10-13208-09

10-13208-10

10-13208-01	10-13208-02	10-13208-03	10-13208-04	10-13208-05	10-13208-06	10-13208-07	10-13208-08	10-13208-09	10-13208-10
-------------	-------------	-------------	-------------	-------------	-------------	-------------	-------------	-------------	-------------

**F6B-9 Impeller pump
Art. No. 10-13208-01**

Part no.	Description GB	Position	Quantity
01-13206-1	BODY F6B-9 (TOYOTA)	1	1
01-46669	SHAFT F6B-9	2	1
01-46556	END COVER F6B-9	3	1
08-812B	IMPELLER F6B-9	4	1
0.2173.475	O-RING 57.6X2.4 SS1586 NBR70	5	1
0.2233.001	LIP SEAL 16X28X7 DPSM	6	1
0.3431.742	BALL BEARING 6203 2 RS1 ST	7	2
0.2173.402	O-RING 15.3X2.4 SS1586 NBR70	8	1
0.0370.017	EXT. CIRCLIP D17 DIN471 ST	9	1
0.0279.301	SCREW M5X8 ISO1207 A4	10	4
0.0371.040	RETAIN. RING BORE D40 DIN472 SPRST	11	1
01-42862	SPACER S200/500 HD	12	1