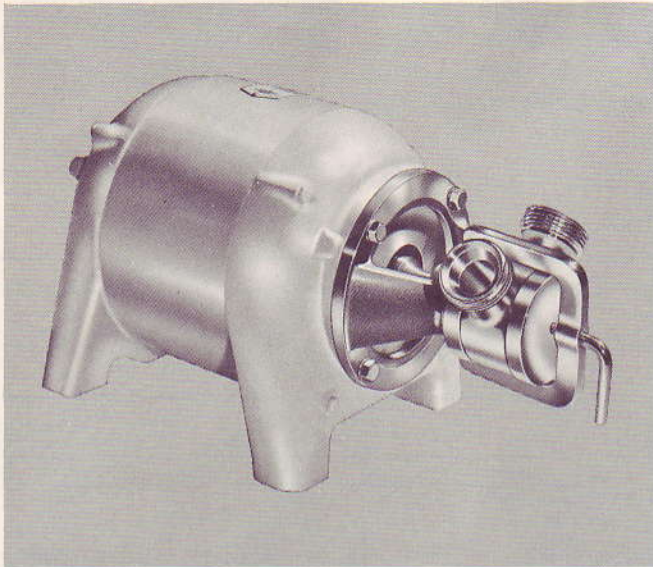


JABSCO® PUMPS

Pureflo® Sanitary Pumps

MODELS: S10-M5, S10-1M5, S25-M5, S50-M5 & S100-M5

Product Data



VARIATION INCORPORATED

All Motor Pump Units are standard as three phase — Single phase available in 10 GPM series — Model S10-1M5.

Add Suffix -01 For Clean-In-Place Ports

Add Suffix -12 For High Pressure Impeller

Add Suffix -21 For High Pressure Impeller—Clean-In-Place Ports

Note: Sanitary Nitrile impellers are available in some models to handle food products having high oil content. Consult factory for further information.

APPLICATIONS AND OPERATING INSTRUCTIONS

Some of the many diverse products handled by Jabsco Pureflo pumps include: **DAIRY PROCESSING** Buttermilk, Condensed Milk, Cream, Milk, Eggs, Whey and other assorted dairy products. **FOOD PROCESSING** Sugar Liquors, Brines, Catsup, Chocolate, Glaze, Gelatin, Honey, Jams, Jellies, Mayonnaise, Molasses, Mustard, Pickle Relish, Vinegar, Water, Yeast Slurries. **BEVERAGE PROCESSING** Alcohols, Beers, Brewery Slop, Cider, Distillery Wort, Extracts, Flavors, Juices, Mash, Soft Drinks, Wines. **MISCELLANEOUS** Chemicals, Cosmetics, Pharmaceuticals.

1. **INSTALLATION**—Pump may be mounted in any position. Pump head rotates 360° to permit de-

sired port location. Intake and discharge ports are determined by the direction of shaft rotation. Before use, rotate pump shaft in direction of operating rotation.

2. **SELF-PRIMING**—Primes at low or high speeds. For vertical dry suction lift of 15 feet, a minimum of 800 RPM is required. Pump will produce 25 feet of lift when wetted. **INTAKE LINES MUST BE AIR-TIGHT** to prevent product foaming and assure self-priming.
3. **RUNNING DRY**—The impeller is lubricated by the product being pumped. **DO NOT RUN DRY** for more than 30 seconds. Lack of liquid may damage the impeller.

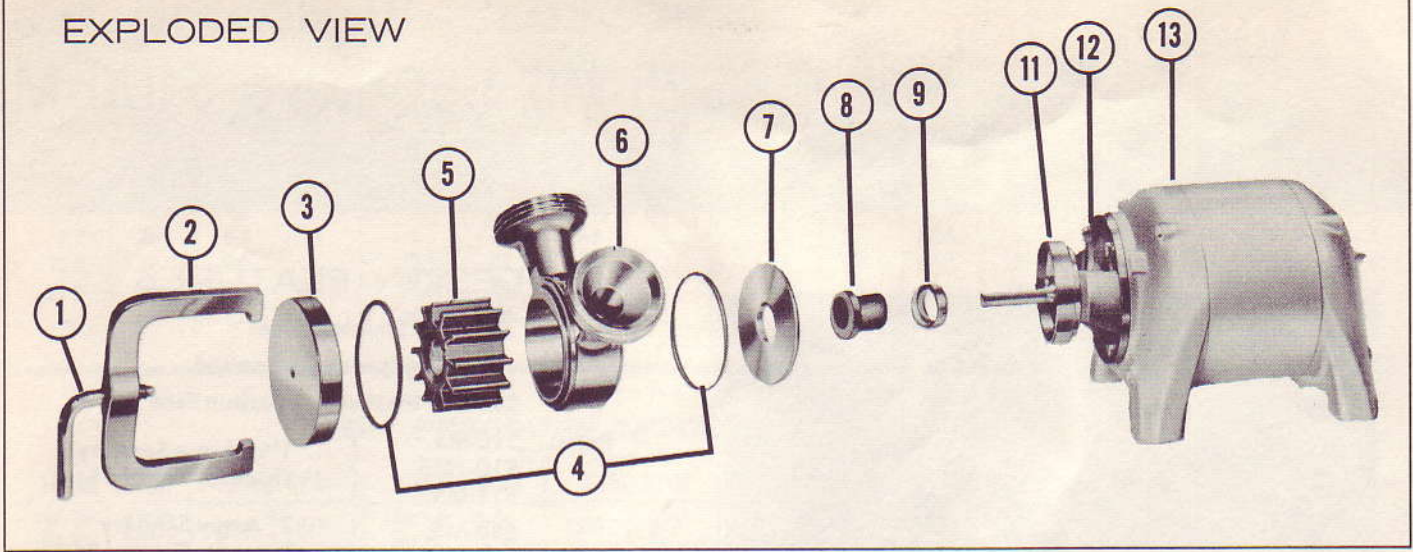
4. **TEMPERATURES**—40°-150°F. Contact factory for impeller recommendation on applications outside this range. Other impeller compounds are available which may be utilized for certain applications at higher or lower temperatures.
5. **PRESSURES** — Consult performance chart. When operating pressures approach the upper recommended ranges for standard pressure impellers, it is ordinarily desirable to use a high pressure model to increase impeller life. Where pressure requirements exceed the recommended range for a high pressure model, it is usually practical to utilize the next larger high pressure model at a reduced operating speed.

DESIGN FEATURES

Body:	Type 316 Stainless Steel																																										
Impeller:	Jabsco Neoprene Compound																																										
Seal:	Sanitary Mechanical-Carbon Face																																										
Ports:	<table border="0"> <tr> <td>S10-M5</td> <td rowspan="3">}</td> <td rowspan="3">1½" Acme Sanitary Threads, Ground Seat</td> </tr> <tr> <td>S10-1M5</td> </tr> <tr> <td>S25-M5</td> </tr> <tr> <td></td> <td></td> <td></td> </tr> <tr> <td></td> <td> <table border="0"> <tr> <td>S50-M5</td> <td rowspan="2">}</td> <td rowspan="2">2" Acme Sanitary Threads, Ground Seat</td> </tr> <tr> <td>S100-M5</td> </tr> </table> </td> <td></td> </tr> <tr> <td>Motor:</td> <td>Model S10-M5</td> <td>Sanitary—¾ HP T.E.N.V., 1750 RPM, 3-Phase, Ball Bearing, Shaft-Type 303 Stainless Steel</td> </tr> <tr> <td></td> <td>Model S25-M5</td> <td>Sanitary—2 HP, 1750 RPM, 3-Phase, 220/440 V., Ball Bearing, Shaft-Type 303 Stainless Steel</td> </tr> <tr> <td></td> <td>Model S50-M5</td> <td>Sanitary—3 HP, 1160 RPM, 3-Phase, Ball Bearing, Shaft-Type 303 Stainless Steel</td> </tr> <tr> <td></td> <td>Model S100-M5</td> <td>Sanitary—3 HP, 1750 RPM, Ball Bearing, Shaft-Type 303 Stainless Steel</td> </tr> <tr> <td>Weight:</td> <td>Model S10-M5</td> <td>54 lbs. (approx.)</td> </tr> <tr> <td></td> <td>Model S10-1M5</td> <td>95 lbs. (approx.)</td> </tr> <tr> <td></td> <td>Model S25-M5</td> <td>64 lbs. (approx.)</td> </tr> <tr> <td></td> <td>Model S50-M5</td> <td>110 lbs. (approx.)</td> </tr> <tr> <td></td> <td>Model S100-M5</td> <td>123 lbs. (approx.)</td> </tr> </table>	S10-M5	}	1½" Acme Sanitary Threads, Ground Seat	S10-1M5	S25-M5					<table border="0"> <tr> <td>S50-M5</td> <td rowspan="2">}</td> <td rowspan="2">2" Acme Sanitary Threads, Ground Seat</td> </tr> <tr> <td>S100-M5</td> </tr> </table>	S50-M5	}	2" Acme Sanitary Threads, Ground Seat	S100-M5		Motor:	Model S10-M5	Sanitary—¾ HP T.E.N.V., 1750 RPM, 3-Phase, Ball Bearing, Shaft-Type 303 Stainless Steel		Model S25-M5	Sanitary—2 HP, 1750 RPM, 3-Phase, 220/440 V., Ball Bearing, Shaft-Type 303 Stainless Steel		Model S50-M5	Sanitary—3 HP, 1160 RPM, 3-Phase, Ball Bearing, Shaft-Type 303 Stainless Steel		Model S100-M5	Sanitary—3 HP, 1750 RPM, Ball Bearing, Shaft-Type 303 Stainless Steel	Weight:	Model S10-M5	54 lbs. (approx.)		Model S10-1M5	95 lbs. (approx.)		Model S25-M5	64 lbs. (approx.)		Model S50-M5	110 lbs. (approx.)		Model S100-M5	123 lbs. (approx.)
S10-M5	}	1½" Acme Sanitary Threads, Ground Seat																																									
S10-1M5																																											
S25-M5																																											
	<table border="0"> <tr> <td>S50-M5</td> <td rowspan="2">}</td> <td rowspan="2">2" Acme Sanitary Threads, Ground Seat</td> </tr> <tr> <td>S100-M5</td> </tr> </table>	S50-M5	}	2" Acme Sanitary Threads, Ground Seat	S100-M5																																						
S50-M5	}	2" Acme Sanitary Threads, Ground Seat																																									
S100-M5																																											
Motor:	Model S10-M5	Sanitary—¾ HP T.E.N.V., 1750 RPM, 3-Phase, Ball Bearing, Shaft-Type 303 Stainless Steel																																									
	Model S25-M5	Sanitary—2 HP, 1750 RPM, 3-Phase, 220/440 V., Ball Bearing, Shaft-Type 303 Stainless Steel																																									
	Model S50-M5	Sanitary—3 HP, 1160 RPM, 3-Phase, Ball Bearing, Shaft-Type 303 Stainless Steel																																									
	Model S100-M5	Sanitary—3 HP, 1750 RPM, Ball Bearing, Shaft-Type 303 Stainless Steel																																									
Weight:	Model S10-M5	54 lbs. (approx.)																																									
	Model S10-1M5	95 lbs. (approx.)																																									
	Model S25-M5	64 lbs. (approx.)																																									
	Model S50-M5	110 lbs. (approx.)																																									
	Model S100-M5	123 lbs. (approx.)																																									

MODELS: S10-M5, S10-1M5, S25-M5, S50-M5 & S100-M5

EXPLODED VIEW



PARTS LIST

Model S10-M5 and Model S10-1M5

Key	Description	Serial No. 10-A31400 thru 10-A31551 10-A41 & Subsequent		Serial No. 10-1216 thru 10-313720 10-41 thru 10-419		Serial No.: 10-11 thru 10-1215	
		Part No.	Qty.	Part No.	Qty.	Part No.	Qty.
1	Clamp Screw	10408-01	1	12534	1	SP 8018-02	2
2	Clamp	12695	1				
3	End Cover	10435-0-01	1	9268	1	8253	1
4	"O" Ring*	SP 2000-29	2	SP 2000-72	2	SP 2000-65	2
5	Impeller (Standard)*	7614	1	7614	1	7614	1
	Impeller (Hi Pressure)	8980		8980		8980	
6	Body (Acme Thread)	15014-06-01	1	9265	1	7564	1
	Body (CIP)	15014-07-01		9266		7564-01	
7	Wearplate	10396-01	1	9267	1	7806	1
8	Seal Assembly*	7749	1	7749	1	7749	1
9	Seal Collar	5307	1	5307	1	5307	1
10	Allen Wrench* (Not Shown)	SP 2351-05	1	SP 2351-05	1	SP 2351-05	1
11	Adaptor	12694	1	7565	1	7565	1
12	Bolt	SP 1094-07	4	SP 1106-04	4	SP 1106-04	4
	Washer	SP 1602-09	4	SP 1602-09	4	SP 1602-09	4
13	Motor (¾ H.P.) Single phase	SP 3004-102	1	SP 3004-66	1	SP 3004-66	1
	Motor (¾ H.P.) Three phase	SP 3004-103		SP 3004-67		SP 3004-67	
	Service Kit (Not shown) (Standard Pressure)	SK-72	—	SK-72	—	SK-72	—
	Service Kit (Not shown) (High Pressure)	SK-73	—	SK-73	—	SK-73	—

Model S25-M5

Key	Description	Serial No.: 25-A41 and Subsequent		Serial No.: 25-11 thru 25-32370 25-41 thru 25-445	
		Part No.	Qty.	Part No.	Qty.
1	Clamp Screw	9551-01	1	12533	1
2	Clamp	12698	1		
3	End Cover	10515-0-01	1	8825	1
4	"O" Ring	SP 2000-31	2	SP 2000-69	2
5	Impeller (Standard)*	8981	1	8981	1
	Impeller (Hi Pressure)	8840		8840	
6	Body (Acme Thread)	15034-06-01	1	8608	1
	Body (CIP)	15034-07-01		8808	
7	Wearplate	10046-01	1	8806	1
8	Seal Assembly*	8728	1	8728	1
9	Seal Collar	8727	1	8727	1
10	Allen Wrench* (Not Shown)	SP 2351-05	1	SP 2351-05	1
11	Adaptor	14034	1	8837	1
12	Bolt	SP 1094-07	4	SP 1106-04	4
	Washer	SP 1602-09	4	SP 1602-09	4
13	Motor (2 H.P.)	SP 3004-101	1	SP 3004-68	1
	Service Kit (Not Shown) (Standard Pressure)	SK-89	—	SK-89	—
	Service Kit (Not Shown) (High Pressure)	SK-90	—	SK-90	—

Model S50-M5

Key	Description	Serial No.: 50-A41 and Subsequent		Serial No.: 50-251 thru 50-32610 50-41 thru 50-445		Serial No.: 50-11 thru 50-250	
		Part No.	Qty.	Part No.	Qty.	Part No.	Qty.
1	Clamp Screw	10697-01	1	12058	1	SP 8018-06	2
2	Clamp	12996	1				
3	End Cover	10299-0-01	1	12056	1	12056	1
4	"O" Ring	SP 2000-04	2	SP 2000-74	2	SP 2000-70	2
5	Impeller (Standard)*	14346	1	14346	1	14346	1
	Impeller (Hi Pressure)	8983		8983		8983	
6	Body (Acme Thread)	15054-06-01	1	8994	1	8994	1
	Body (CIP)	15054-07-01		12024		12024	
7	Wearplate	10276-01	1	8896	1	8896	1
8	Seal Assembly*	9023	1	9023	1	9023	1
9	Seal Collar	7866	1	7866	1	7866	1
10	Allen Wrench* (Not Shown)	SP 2351-05	1	SP 2351-05	1	SP 2351-05	1
11	Adaptor	14094	1	8894	1	8894	1
12	Bolt	SP 1094-07	4	SP 1106-04	4	SP 1106-04	4
	Washer	SP 1602-09	4	SP 1602-09	4	SP 1602-09	4
13	Motor (3 H.P.)	SP 3004-168	1	SP 3004-69	1	SP 3004-69	1
	Service Kit (Not Shown) (Standard Pressure)	SK-93	—	SK-93	—	SK-93	—
	Service Kit (Not Shown) (High Pressure)	SK-94	—	SK-94	—	SK-94	—

Model S100-M5

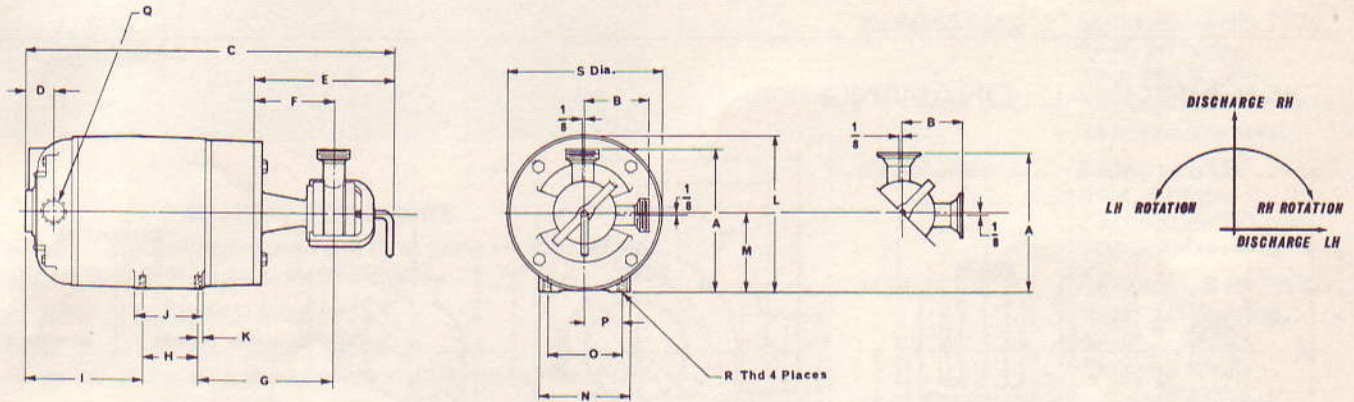
Key	Description	Serial No.: 100-A401 and Subsequent		Serial No.: 100-3198 thru 100-33180 and 100-41 thru 100-483		Serial No.: 100-11 thru 100-3197	
		Part No.	Qty.	Part No.	Qty.	Part No.	Qty.
1	Clamp Screw	10354-01	1	12197		SP 8018-01	2
2	Clamp	12927	1				
3	End Cover	10345-0-01	1	12531	1	8965	1
4	"O" Ring*	SP 2000-03	2	SP 2000-63	2	SP 2000-63	2
5	Impeller (Standard)*	8984	1	8984	1	8984	1
6	Body (Acme Thread)	15074-06-01	1	7994	1	7994	1
	Body (CIP)	15074-07-01		12014		12014	
7	Wearplate	10346-01	1	7096	1	7096	1
8	Seal Assembly*	14052	1	14052	1	14052	1
9	Seal Collar	8248	1	8248	1	8248	1
10	Allen Wrench* (Not Shown)	SP 2351-05	1	SP 2351-05	1	SP 2351-05	1
11	Adaptor	14104	1	8964	1	8964	1
12	Bolt	SP 1094-07	4	SP 1106-04	4	SP 1106-04	4
	Washer	SP 1602-09	4	SP 1602-09	4	SP 1602-09	4
13	Motor (3 H.P.)	SP 3004-108	1	SP 3004-69	1	SP 3004-69	1
	Service Kit (Not Shown) (Low Pressure)	SK-80-03	—	SK-80-02	—	SK-80-02	—

*Parts supplied in Service Kit

Explanation of Serial Numbers.

1. The first part of the serial number denotes the capacity of the pump. For example, serial number 50-3021 was used on a S-50 pump.
2. The first number in the second series of digits denotes the year the pump was manufactured. For example, serial number 50-3021 reveals the pump was produced in 1963. The use of this digit is very important. A pump bearing the serial number 50-401 would have been produced in 1964. Thus, serial number 50-401 is a "higher" number than serial number 50-3021.
3. Pumps which carry serial numbers which contain the letter "A" are of the most recent design.

DIMENSIONAL DRAWING



MODEL	PORT	A	B	C	D	E	F	G	H	I	J	K	L	M	N	O	P	Q	R	S Dia.
S10-M5	1½" Acme	6 ⁵ / ₁₆	2 ¹ / ₁₆	16 ²⁹ / ₃₂	1 ³ / ₁₆	6 ¹ / ₃₂	3 ¹ / ₃₂	6 ³ / ₃₂	2 ¹ / ₂	5 ¹ / ₃₂	3 ³ / ₃₂	7 ¹ / ₃₂	6 ¹ / ₁₆	3 ¹ / ₂	4 ¹ / ₈	3 ³ / ₈	1 ¹ / ₁₆	½	¼-20	6 ⁷ / ₈
S10-M5-01	1½" CIP	6 ¹ / ₈	2 ³ / ₄	16 ²⁹ / ₃₂	1 ³ / ₁₆	6 ¹ / ₃₂	3 ¹ / ₃₂	6 ³ / ₃₂	2 ¹ / ₂	5 ¹ / ₃₂	3 ³ / ₃₂	7 ¹ / ₃₂	6 ¹ / ₁₆	3 ¹ / ₂	4 ¹ / ₈	3 ³ / ₈	1 ¹ / ₁₆	½	¼-20	6 ⁷ / ₈
S10-M5-12	1½" Acme	6 ⁵ / ₁₆	2 ¹ / ₁₆	16 ²⁹ / ₃₂	1 ³ / ₁₆	6 ¹ / ₃₂	3 ¹ / ₃₂	6 ³ / ₃₂	2 ¹ / ₂	5 ¹ / ₃₂	3 ³ / ₃₂	7 ¹ / ₃₂	6 ¹ / ₁₆	3 ¹ / ₂	4 ¹ / ₈	3 ³ / ₈	1 ¹ / ₁₆	½	¼-20	6 ⁷ / ₈
S10-M5-21	1½" CIP	6 ¹ / ₈	2 ³ / ₄	16 ²⁹ / ₃₂	1 ³ / ₁₆	6 ¹ / ₃₂	3 ¹ / ₃₂	6 ³ / ₃₂	2 ¹ / ₂	5 ¹ / ₃₂	3 ³ / ₃₂	7 ¹ / ₃₂	6 ¹ / ₁₆	3 ¹ / ₂	4 ¹ / ₈	3 ³ / ₈	1 ¹ / ₁₆	½	¼-20	6 ⁷ / ₈
S10-1M5	1½" Acme	7 ⁵ / ₁₆	2 ¹ / ₁₆	17 ²⁹ / ₃₂	4 ³ / ₃₂	6 ¹ / ₃₂	3 ¹ / ₃₂	7 ⁵ / ₁₆	4	3 ⁷ / ₈	5	5 ⁵ / ₈	8 ¹ / ₁₆	4 ³ / ₈	4 ¹ / ₂	3 ¹ / ₂	1 ³ / ₄	¾	5 ¹ / ₆ -18	*8 ⁵ / ₈
S10-1M5-01	1½" CIP	7 ¹ / ₈	2 ³ / ₄	17 ²⁹ / ₃₂	4 ³ / ₃₂	6 ¹ / ₃₂	3 ¹ / ₃₂	7 ⁵ / ₁₆	4	3 ⁷ / ₈	5	5 ⁵ / ₈	8 ¹ / ₁₆	4 ³ / ₈	4 ¹ / ₂	3 ¹ / ₂	1 ³ / ₄	¾	5 ¹ / ₆ -18	*8 ⁵ / ₈
S10-1M5-12	1½" Acme	7 ⁵ / ₁₆	2 ¹ / ₁₆	17 ²⁹ / ₃₂	4 ³ / ₃₂	6 ¹ / ₃₂	3 ¹ / ₃₂	7 ⁵ / ₁₆	4	3 ⁷ / ₈	5	5 ⁵ / ₈	8 ¹ / ₁₆	4 ³ / ₈	4 ¹ / ₂	3 ¹ / ₂	1 ³ / ₄	¾	5 ¹ / ₆ -18	*8 ⁵ / ₈
S10-1M5-21	1½" CIP	7 ¹ / ₈	2 ³ / ₄	17 ²⁹ / ₃₂	4 ³ / ₃₂	6 ¹ / ₃₂	3 ¹ / ₃₂	7 ⁵ / ₁₆	4	3 ⁷ / ₈	5	5 ⁵ / ₈	8 ¹ / ₁₆	4 ³ / ₈	4 ¹ / ₂	3 ¹ / ₂	1 ³ / ₄	¾	5 ¹ / ₆ -18	*8 ⁵ / ₈

*For overall width add 3½" for conduit box extension.

HEAD CAPACITY TABLES

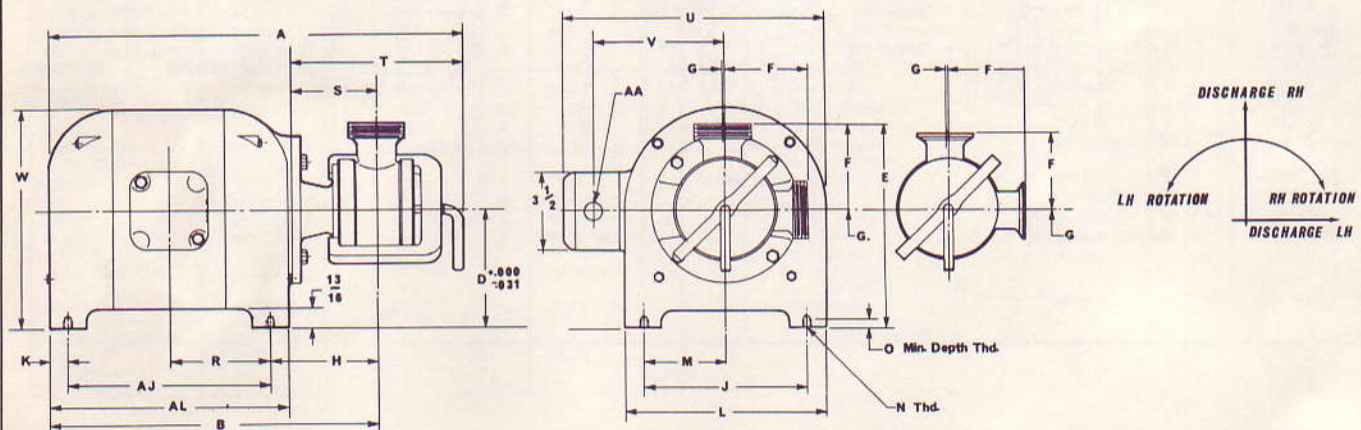
STANDARD PRESSURE MODELS

S10				S25				S50				S100			
TOTAL HEAD		1750 RPM		TOTAL HEAD		1750 RPM		TOTAL HEAD		1160 RPM		TOTAL HEAD		1750 RPM	
Lbs. per Sq. In.	Ft. of Water	GPM	H/P	Lbs. per Sq. In.	Ft. of Water	GPM	H/P	Lbs. per Sq. In.	Ft. of Water	GPM	H/P	Lbs. per Sq. In.	Ft. of Water	GPM	H/P
4.3	10	11.3	3/4	4.3	10	25.5	2	4.3	10	35.2	3	8.7	20	102.0	3
8.7	20	10.2	3/4	8.7	20	24.6	2	8.7	20	33.8	3	17.3	40	91.0	3
13.0	30	9.0	3/4	17.3	40	23.0	2	17.3	40	29.4	3	21.6	50	84.0	3
21.6	50	5.2	3/4	26.0	60	21.0	2	26.0	60	23.2	3	—	—	—	—
—	—	—	—	34.6	80	18.0	2	—	—	—	—	—	—	—	—

HIGH PRESSURE MODELS

S10				S25				S50			
TOTAL HEAD		1750 RPM		TOTAL HEAD		1750 RPM		TOTAL HEAD		1160 RPM	
Lbs. per Sq. In.	Ft. of Water	GPM	H/P	Lbs. per Sq. In.	Water Ft. of	GPM	H/P	Lbs. per Sq. In.	Ft. of Water	GPM	H/P
8.7	20	10.4	3/4	17.3	40	22.8	2	8.7	20	37.4	3
17.3	40	8.7	3/4	26.0	60	21.9	2	21.6	50	36.8	3
26.0	60	6.2	3/4	34.6	80	20.8	2	34.6	80	35.0	3
34.6	80	4.0	3/4	51.5	120	17.1	2	47.6	110	32.7	3
—	—	—	—	60.5	140	14.2	2	60.5	140	28.5	3

DIMENSIONAL DRAWING



MODEL	PORT	A	B	D	E	F	G	H	J	K	L	M	N	O	R	S	T	U	V	W	AA	AJ	AL
S25-M5	1 1/2" Acme	18 1/8	14 1/8	5 1/4	8 1/8	3 3/8	1/8	5 1/8	7 1/8	7/8	8 7/8	3 1/8	3/8-16	3/8	4 1/8	3 3/32	7 3/8	11 1/2	5 7/8	9 1/8	3/4	8 7/8	10 3/8
S25-M5-12	1 1/2" Acme	18 1/8	14 1/8	5 1/4	8 1/8	3 3/8	1/8	5 1/8	7 1/8	7/8	8 7/8	3 1/8	3/8-16	3/8	4 1/8	3 3/32	7 3/8	11 1/2	5 7/8	9 1/8	3/4	8 7/8	10 3/8
S25-M5-01	1 1/2" CIP	18 1/8	14 1/8	5 1/4	8	2 3/4	1/8	5 1/8	7 1/8	7/8	8 7/8	3 1/8	3/8-16	3/8	4 1/8	3 3/32	7 3/8	11 1/2	5 7/8	9 1/8	3/4	8 7/8	10 3/8
S25-M521	1 1/2" CIP	18 1/8	14 1/8	5 1/4	8	2 3/4	1/8	5 1/8	7 1/8	7/8	8 7/8	3 1/8	3/8-16	3/8	4 1/8	3 3/32	7 3/8	11 1/2	5 7/8	9 1/8	3/4	8 7/8	10 3/8
S50-M5	2" Acme	23 7/8	20 3/8	5 7/8	9 5/8	3 3/4	1/8	5 1/8	8	1 1/8	10 1/8	4	1/2-13	1/2	7	3 3/4	7 1/8	12 13/16	6 5/8	10 15/16	3/4	14	16 1/4
S50-M5-12	2" Acme	23 7/8	20 3/8	5 7/8	9 5/8	3 3/4	1/8	5 1/8	8	1 1/8	10 1/8	4	1/2-13	1/2	7	3 3/4	7 1/8	12 13/16	6 5/8	10 15/16	3/4	14	16 1/4
S50-M5-01	2" CIP	23 7/8	20 3/8	5 7/8	9 5/8	3 3/4	1/8	5 1/8	8	1 1/8	10 1/8	4	1/2-13	1/2	7	3 3/4	7 1/8	12 13/16	6 5/8	10 15/16	3/4	14	16 1/4
S50-M5-21	2" CIP	23 7/8	20 3/8	5 7/8	9 5/8	3 3/4	1/8	5 1/8	8	1 1/8	10 1/8	4	1/2-13	1/2	7	3 3/4	7 1/8	12 13/16	6 5/8	10 15/16	3/4	14	16 1/4
S100-M5	2" Acme	20 3/8	15 3/8	5 1/4	9 3/8	4 1/8	3/8	5 3/8	7 1/8	7/8	8 7/8	3 1/8	3/8-16	3/8	4 1/8	4 1/8	9 1/2	11 1/2	5 13/16	9 1/8	3/4	8 7/8	10 3/8
S100-M5-01	2" CIP	20 3/8	15 3/8	5 1/4	9	3 3/4	3/8	5 3/8	7 1/8	7/8	8 7/8	3 1/8	3/8-16	3/8	4 1/8	4 1/8	9 1/2	11 1/2	5 13/16	9 1/8	3/4	8 7/8	10 3/8

JABSCO PUMPS

Fluid Handling Division, International Telephone and Telegraph Corporation, 1485 Dale Way, Costa Mesa, California 92626