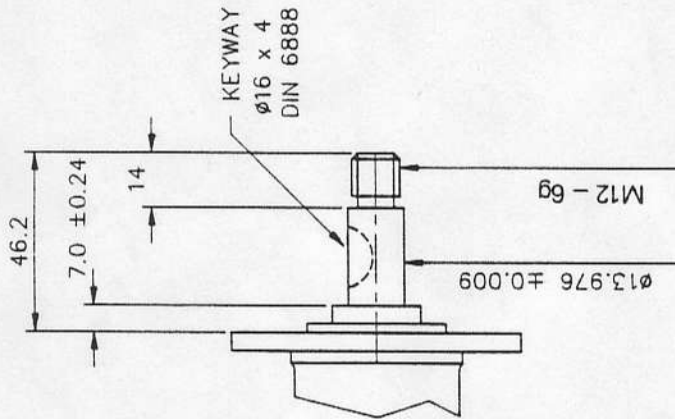
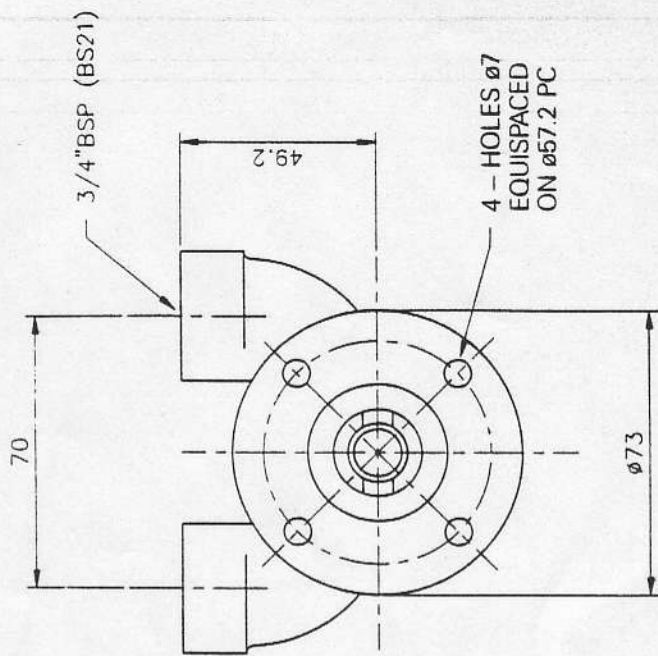
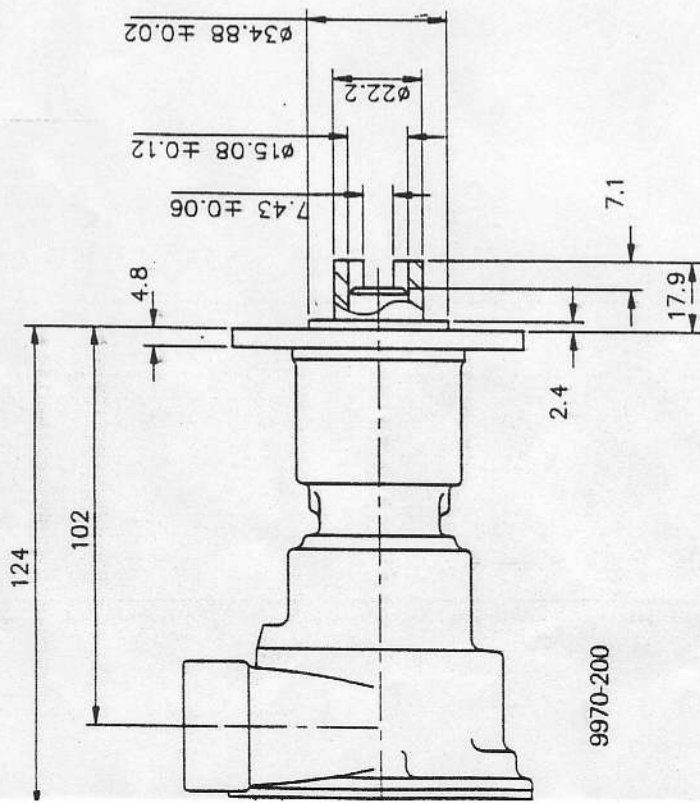


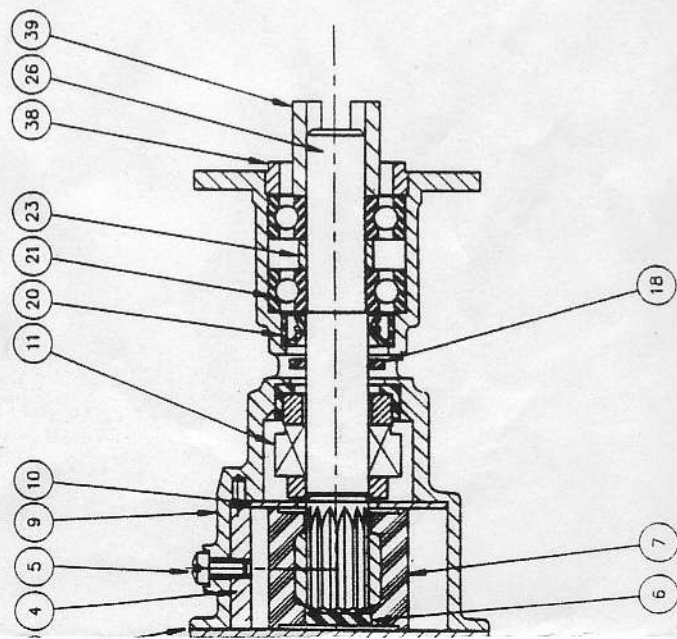
Size 40



9970-241
9970-241-37



9970-200



KEY	DESCRIPTION	QTY	PART NUMBER		
			MODEL 9970-200	MODEL 9970-241	MODEL 9970-241-37
1	END COVER SCREW	6	SP1002-02	SP1002-02	SP1002-02
2	END COVER	1	3992	3992	3992
3	GASKET	1	3298	3298	3298
4	CAM	1	490	490	490
5	CAM SCREW	1	SP1003-01	SP1003-01	SP1003-01
6	SPLINE PLUG	1	4345	4345	4345
7	IMPELLER	1	1210-0001	1210-0001	1210-0003
9	BODY	1	9974-200	9974-200	9974-200
10	WEARPLATE	1	7883	7883	7883
11	MECH. SEAL ASSY	1	22617-0010	22617-0010	22617-0010
18	SLINGER	1	3180	3180	3180
20	LIP SEAL	1	SP2701-21	SP2701-21	SP2701-21
21	BEARING	2	SP2600-13	SP2600-13	SP2600-13
23	BEARING SPACER	1	9998	9998	9998
26	SHAFT	1	9977	10374	10374
27	SLEEVE (not shown)	1	-	10375	10375
38	ADAPTOR RING	1	3376	3376	3376
39	COUPLING	1	3278	-	-

Service Kit SK239 consists of: Impeller, spline plug, seal assembly, gasket, endcover screws.
Mech. Seal Assembly Key 11 consists of: retaining ring SP1700-62, spacer, carbon seal (rotary), ceramic seat (stationary), gasket.