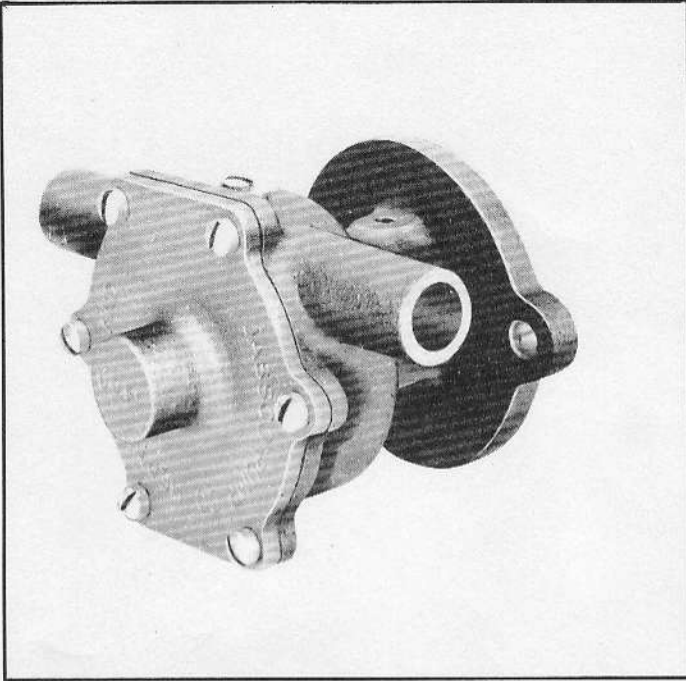




Model 9900-0001



SELF-PRIMING PUMP FEATURES

- Body: Bronze
- Impeller: Jabsco Neoprene Compound
- Shaft: Stainless Steel
- Shaft Seal: Lip Type
- Bearings: Plain
- Ports: 5/8" Slip-On Hose
- Weight: 2 lbs (0,9 kg)

Model 9900-0001

APPLICATION

Marine Engine Cooling

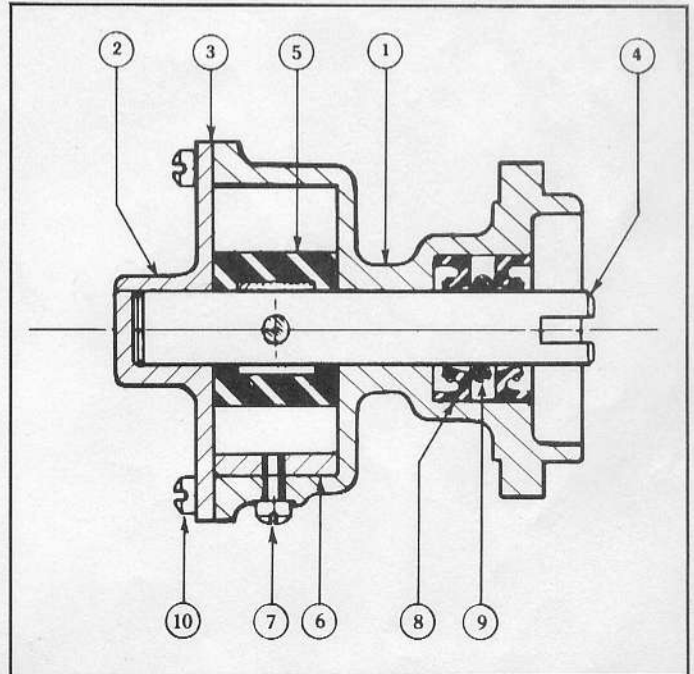
Model 9900-0001 For: Volvo-Penta BB100, MP18, BB30, AG95, AQ110; Volvo Aquatic 100 HP, 110 HP, 120 HP; Chrysler Volvo Model 130.

PARTS LIST

KEY NO.	PART DESCRIPTION	MODEL 9900 PART NUMBER	QTY.
1	Body	9904-0000	1
2	End Cover	9905-0000	1
3	*Gasket	10817-0000	1
4	Shaft	9907-0000	1
5	*Impeller	18673-0001	1
6	Cam	10818-0000	1
7	Cam Screw	91002-0020	1
8	*Seal	92701-0040	2
9	*O-Ring	92000-0230	1
10	End Cover Screw	91002-0090	6
	Service Kit	90211-0001	

*Parts included in Service Kit

SECTIONAL VIEW



THE PRODUCT DESCRIBED HEREIN IS SUBJECT TO THE JABSCO ONE YEAR LIMITED WARRANTY, WHICH IS AVAILABLE FOR YOUR INSPECTION UPON REQUEST.



ITT Fluid Technology Corporation
 1485 Dale Way, P.O. Box 2158, Costa Mesa, Ca 92628-2158
 Tel: (714) 545-8251; Fax: (714) 957-0609
 Bingley Road, Hoddesdon, Hertfordshire EN11 0BU, England
 Tel: 0992-467191; Tlx: 26351 G; Fax: 0992-467132