

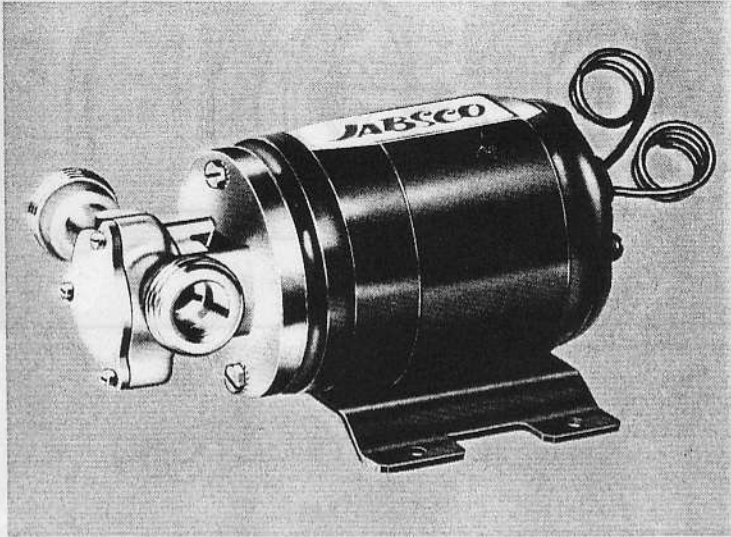
JABSCO® PUMPS

Self-Priming Pumps

MODELS:

8850-0001 - 6 v., 8870-0001 - 24 v.
8860-0001 - 12 v., 8880-0001 - 32 v.

Product Data



"MINI-PUPPY"

DESIGN FEATURES

- Body: **Bronze**
- Impeller: **Jabscos Nitrile Compound**
- Seal: **Lip Type**
- Ports: **3/8" Pipe Thread Internal**
3/4" Garden Hose External
- Motor: **1/12 H.P., Enclosed**
Stainless Steel Shaft
- Weight: **5 1/2 lbs. (approx.)**
- Dimensions: **3" High, 6 3/8" Long, 4" Wide**

APPLICATIONS AND OPERATING INSTRUCTIONS

Ideal for Bilge Pumping, Bait Tank Wash Down.

1. **INSTALLATION** — Pump may be mounted in any position without loss of efficiency, however, it is suggested that the pump head be down if vertical mounting is desired. DC motor turns clockwise looking at pump end cover, intake port is on the right, discharge left.
2. **WIRING** — Use stranded wire. **DO NOT** use lamp cord or other substitute. Consult wire size table at right for proper wire size.
3. **SELF-PRIMING** — Pump will produce a suction lift approaching 10 ft. when dry and a lift to 20 feet when primed. **BE SURE SUCTION LINES ARE AIR TIGHT.**
4. **RUNNING DRY** — Unit depends on liquid pumped for lubrication. **DO NOT RUN DRY** for more than 30 seconds. Lack of liquid will burn the impeller.
5. **CAUTION** — Do not pump solvents, thinners, or gasoline. If corrosive fluids must be handled, pump life will be prolonged if flushed with water after each use or after each work day. **MOTOR IS NOT EXPLOSION PROOF.**
6. **PRESSURES** — For normal operation, pressure should not exceed 20 feet of head.

7. **TEMPERATURES** — Impeller supplied in pump is recommended for liquid temperatures of 45° - 160°.
8. **FREEZING WEATHER** — Drain unit by loosening end cover plate.
9. **SPARE PARTS** — Avoid costly shut down by always having a 90092-0003 Service Kit on hand.

NOTE: Motor will **APPEAR** to be running hot. The **NORMAL** operating temperature is 180°.

MINIMUM WIRE SIZES

| Connection Length Between Battery and Motor | 8850-0001 6 V. | 8860-0001 12 V. | 8870-0001 24 V. | 8880-0001 32 V. |
|---|-------------------|--------------------|--------------------|--------------------|
| 1-10 ft. | #8 | #14 | #16 | #16 |
| 11-20 ft. | #6 | #12 | #16 | #16 |
| 21-30 ft. | Not Rec. | #10 | #14 | #16 |

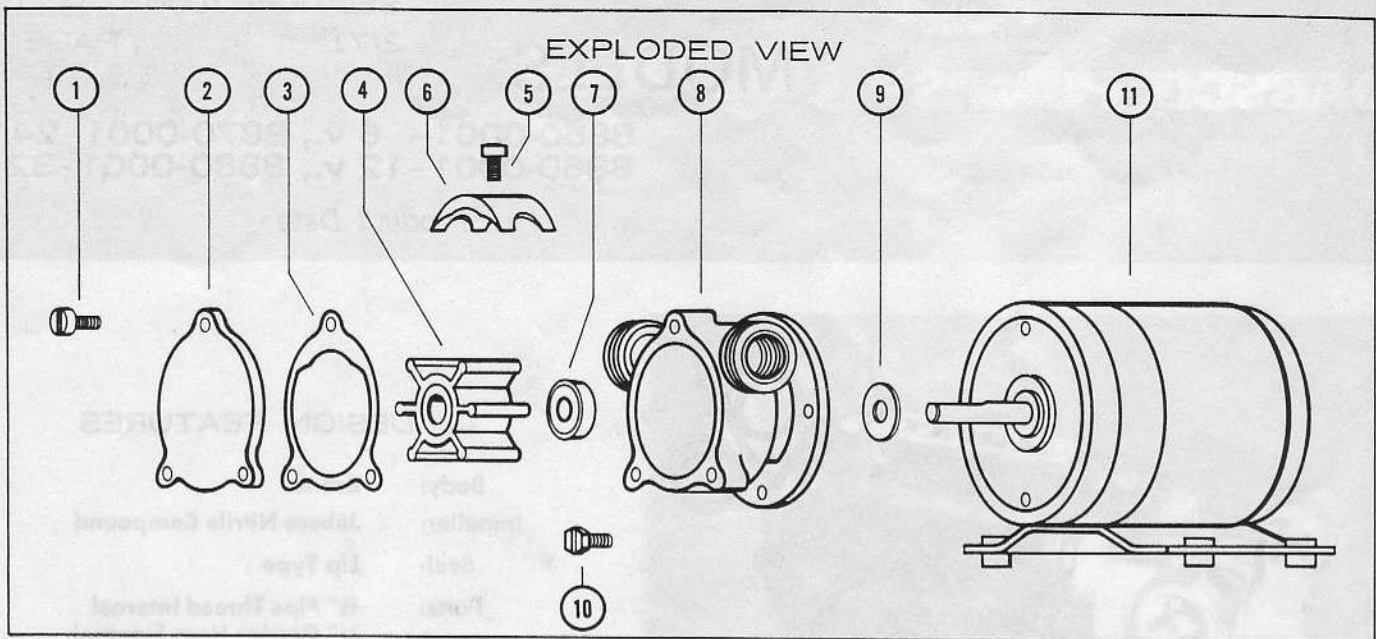
CAUTION: Use only wire size recommended above. **DO NOT** use ordinary lamp cord or other substitutes!

AMPERE DRAW

| Model | 8850-0001 6 V. | 8860-0001 12 V. | 8870-0001 24 V. | 8880-0001 32 V. |
|-----------------------|-------------------|--------------------|--------------------|--------------------|
| Amp. Draw (Approx.) | 10 | 5 | 2 1/2 | 2 |
| Recommended Fuse Size | 15 | 9 | 5 | 5 |

Models: 8850-0001 - 6 v., 8870-0001 - 24 v., 8860-0001 - 12 v., 8880-0001 - 32 v.

JABSCO PRODUCTS



PARTS LIST

| KEY | PART NUMBER | DESCRIPTION | REQ. QTY. |
|-----|-------------|-----------------------|-----------|
| 1 | 91002-0090 | Screw (End Cover) | 3 |
| 2 | | End Cover | 1 |
| | 8855-0000 | Model 8850-0001 | |
| | 8865-0000 | Model 8860-0001 | |
| | 8875-0000 | Model 8870-0001 | |
| | 8885-0000 | Model 8880-0001 | |
| 3 | 7828-0000 | *Gasket | 1 |
| 4 | 1414-0003 | *Impeller | 1 |
| 5 | 91002-0010 | Screw (Cam) | 1 |
| 6 | 8089-0000 | Cam | 1 |
| 7 | 93000-0100 | *Seal | 1 |
| 8 | 7824-0000 | Body | 1 |
| 9 | 6342-0000 | Slinger | 1 |
| 10 | 98019-0060 | Screw (Body to Motor) | 2 |
| 11 | | Motor | 1 |
| | 98012-0010 | Model 8850-0001 6v. | |
| | 98012-0020 | Model 8860-0001 12v. | |
| | 98012-0030 | Model 8870-0001 24v. | |
| | 98012-0040 | Model 8880-0001 32v. | |
| | 9040-0001 | Replacement Pump Head | |
| | 90092-0003 | Service Kit | |

*Parts supplied in Service Kit

HEAD CAPACITY TABLE

| Lbs. per Sq. In. | Ft. of Water | GPM |
|------------------|--------------|-----|
| 4.3 | 10 | 2.4 |
| 8.7 | 20 | 2.2 |
| 13.0 | 30 | 2.0 |
| 17.3 | 40 | 1.7 |

Table shows approximate Head-Flow for new pump in U.S. gallons per minute

SERVICE INSTRUCTIONS

DISASSEMBLY

1. Remove screws, end cover and gasket.
 2. Withdraw impeller.
 3. Loosen and remove two slotted hex screws, which attach body to motor.
 4. Tap body lightly between ports and remove body from motor.
 5. Deform seal and remove from body cavity.
- NOTE: Do not tamper with or disassemble motor.

ASSEMBLY

1. Lubricate seal. Deform seal and install in cavity with open side of seal facing impeller.
2. Lubricate motor shaft and install body on motor.
3. Lubricate impeller bore and aligning ding in impeller with flat on motor shaft, install impeller.
4. Install gasket, end cover and screws.

JABSCO PRODUCTS

Fluid Handling Division, International Telephone and Telegraph Corporation, 1485 Dale Way, Costa Mesa, California 92626