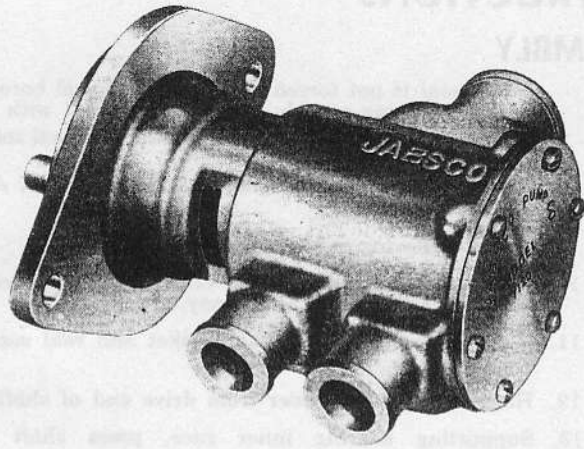


JABSCO

BRONZE SELF-PRIMING
FLANGE-MOUNTED MODEL
FOR CHRYSLER M80 SEA-V V-8 MARINE ENGINE

TECHNICAL DATA MODELS 7120F & 7320F 1/2"



DESIGN FEATURES

BODY	Bronze Construction
IMPELLER	JabSCO Neoprene Compound
SHAFT	Naval Brass
SHAFT SEAL	Mechanical Face Type
WEARPLATES	Replaceable
PORTS	3/4" Dual Discharge (Hose Connection) 1 1/4" Single Inlet (Hose Connection)
WEIGHT	5 1/2 lbs. (approximately)

OPERATING INSTRUCTIONS

1. **INSTALLATION**—Model 7120F will operate in clockwise rotation. For opposite rotation, use Model 7320F. Models 7120F and 7320F are used for engine cooling on Chrysler M80 Sea-V engines.
2. **SELF-PRIMING**—Primes at low or high speeds. Be sure suction lines are air-tight or pump will not self prime.
3. **RUNNING DRY**—Unit depends on liquid pumped for lubrication. **DO NOT RUN DRY** for more than 30 seconds. Lack of liquid will burn the impeller.
4. **TEMPERATURES**—Standard impeller is designed to handle liquid temperatures between 45° - 180°F.
5. **FREEZING WEATHER**—Drain unit by loosening the end cover. The following anti-freeze compounds can be used without any adverse effects to the impeller: Atlas "Permaguard", DuPont "Zerex" and "Telar", Dow Chemical "Dowguard" and Olin Mathison "Pyro". Most methyl alcohol (methanol) based anti-freeze can be used. **DO NOT USE PETROLEUM BASED ANTI-FREEZE COMPOUNDS OR RUST INHIBITORS.** NOTE: Our laboratory tests indicate no adverse effects to the JabSCO neoprene compound using "DuPont No. 7" or "Lazy-Way" rust inhibitors.
6. **GASKET**—Use standard pump part. Thicker gasket will reduce priming ability. A thinner gasket will cause impeller to bind.
7. **SPARE PARTS**—A JABSCO Service Kit SK-111 should be kept on hand to service all but the most badly worn pumps. Major Service Kits are also available.

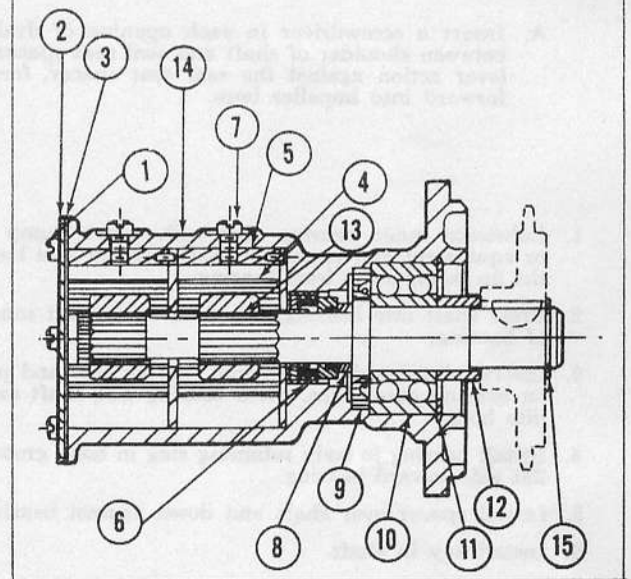
SERVICE KITS

PUMP MODEL NUMBER	MINOR SERVICE KIT NO.	MAJOR SERVICE KIT NO.
7120F	SK-111	MSK-110
7320F	SK-111	MSK-115

Minor Service Kits (SK) contain: Impeller, seal, gasket and end cover screws.

Major Service Kits (MSK) contain all parts except body.

CROSS SECTION



PARTS LIST

KEY	PART NUMBER	DESCRIPTION	QTY. REQ.
1	SP 1002-02	Screw (End Cover)	6
2	7125F	End Cover (Model 7120F)	1
	7325F	End Cover (Model 7320F)	
3	3298	Gasket	1
4	1212-08	Impeller	2
5	7607	Cam & Wearplate Assembly	2
6	SP 6080-08	Seal Assembly (Complete)	1
7	SP 1003-01	Screw (Cam)	2
8	9277	Seal Seat Spacer	1
9	913	Bearing Seal	1
10	SP 2600-06	Ball Bearing	1
11	SP 1701-185	Retaining Ring	1
12	7126	Spacer	1
13	7127	Shaft	1
14	7124F	Body (Model 7120F)	1
	7324F	Body (Model 7320F)	
15	SP 1700-75	Retaining Ring (Shaft)	1
16	SP 1401-10	Key (Not Shown)	1

SERVICE INSTRUCTIONS

DISASSEMBLY

1. Remove end cover screws, end cover and gasket.
2. Remove front impeller by grasping across hub of impeller with water pump pliers.
3. Loosen front cam screw, tap screw to loosen cam, remove screw and cam. (Clean off Permatex)
4. Remove center wearplate.
5. Remove bottom impeller by grasping opposite blades with regular pliers.
6. Loosen back cam screw, tap screw to loosen cam, remove screw and cam. (Clean off Permatex.)
7. Remove back wearplate.
8. NOTE: For seal replacement only at this point of disassembly.
 - A. Insert a screwdriver in each opening of drain area between shoulder of shaft and seal seat spacer, using lever action against the seal seat spacer, force seal forward into impeller bore.
 - B. If seal is not forced entirely out of seal bore, remove by grasping outside of protruding seal with pliers.
 - C. Remove seal seat, seal seat gasket and seal seat spacer with hooked wire.
 - D. Reassemble following steps 7 through 16 of Assembly Instructions.
9. Remove bearing to body retaining ring.
10. Pressing on impeller drive end of shaft, remove shaft and bearing assembly from body.
11. Remove seal seat, seal seat gasket and seal seat spacer from shaft.
12. Remove key and spacer from drive end of shaft.
13. Supporting bearing inner race, press shaft through bearing.
14. Using extreme care not to mar body bore, insert screwdriver between O.D. of inner bearing seal and pump bore and pry out the seal.
15. Remove seal from bore by pressing from bearing bore end toward the body impeller bore.

ASSEMBLY

1. Lubricate inner bearing seal with water pump grease or equivalent and press into body bearing seal bore with the lip facing away from bearing.
2. Press shaft into bearing. Use care to support inner race of bearing.
3. Insert splined end of shaft into bearing bore and pressing on bearing outer race, press bearing and shaft assembly into bore.
4. Install bearing to body retaining ring in body groove with flat side toward bearing.
5. Install spacer over shaft and down against bearing.
6. Install key in shaft.
7. Slide seal seat spacer over shaft and down against shaft shoulder.
8. Slide seal seat and gasket assembly with rubber facing inward over shaft and down against seal seat spacer. Lubricate with water (do not use oil) to ease assembly. CAUTION: Use care not to scratch or mar seal seat face.
9. With carbon facing in toward seal seat, press seal into bore. CAUTION: Press on outermost edge of seal to prevent damage and press flush with bottom of body impeller bore.
10. Install bottom wearplate in bottom of impeller bore.
11. Permatex top side of cam and cam screw threads. Line up pins in cam with holes in wearplate. Install cam and secure with cam screw. NOTE: Hold cam in place during final tightening of cam screw to insure proper seating of the wearplate.
12. Lubricate impeller bore lightly with water pump grease in the bottom area and with a rotary motion, install the bottom impeller until it is seated against the wearplate.
13. Install second wearplate down against the bottom impeller.
14. Permatex top side of cam and cam screw threads. Line up pins in cam with holes in wearplate and install cam and secure with cam screw.
NOTE: Before final tightening of the cam screw, tap cam lightly toward the bottom of the bore and hold in place while securing cam screw.
15. Lubricate remainder of the impeller bore and install second impeller with a rotary motion until splines engage. Then push into bore until it seats against the wearplate.
16. Install gasket and end cover and secure with end cover screws.

WARRANTY: All products of the company are sold and all services of the company are offered subject to the company's warranty, terms and conditions of sale, copies of which will be furnished upon request.



JABSCO®

PUMP COMPANY

1485 DALE WAY · COSTA MESA, CALIFORNIA