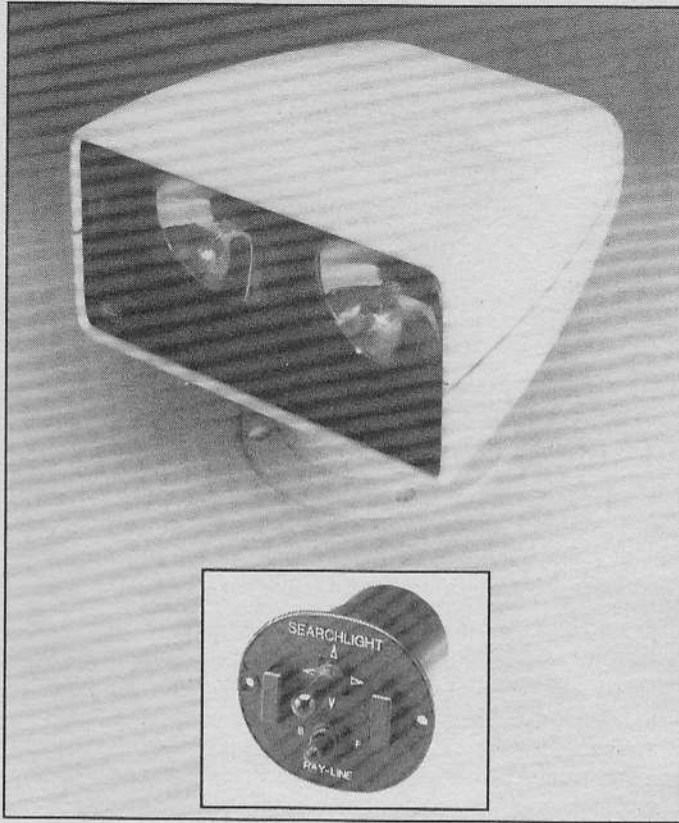


**RAY-LINE**

# Model 60010-2 SERIES 255 SL



## REMOTE CONTROL SEARCHLIGHT

### FEATURES

- Two High Output Sealed Beam Lamps
- Sleek Design
- Rugged Construction
- Full 360° Rotation
- Remote Control and 25 ft. Cable Included
- Tough Polyurethane Finish

MODEL 60010-2 SERIES

### APPLICATION

Ideal for larger boats . . . locate buoys, moorings, channel markers, etc. Ideal for larger motorhomes and bus conversions . . . pinpoint road signs, campsites, or use as backup light.

### SPECIFICATIONS

Voltage: 12 DC, 24 DC  
 Amps: 8(12V), 4(24V)  
 Elevation Angle (degrees) Up: 30°, Down: 30°  
 Housing Material: Thermoset Plastic  
 Candle Power: 200,000

MODEL NUMBER	VOLTS DC	AMPS	BULB TYPE	WEIGHT lb (kg)	STANDARD CARTON
60010-2012	12	8	SPOT/SPOT	11 (5)	1
60010-2024	24	4	SPOT/SPOT	11 (5)	1

# INSTALLATION INSTRUCTIONS

## LIGHT MOUNTING

Select a location for the light which will allow clear beam projection forward and as far aft as possible. Searchlight base should be mounted on a level, flat surface. A mounting block between the searchlight base and mounting surface can be used. The block should be contoured to fit the deck so the searchlight base is level. See mounting template attached for plug and cable required clearance.

1. Mount light with front of base towards the direction of most intended use (front of circular base is marked "front") with gasket under light base.
2. Feed wire through hole and secure light in place. NOTE; cable connectors are provided for easy wiring connections. Mounting hardware is provided;
  - 4 1/4-20 x 2" (6.5mm x 50mm) bolts
  - 4 lockwashers
  - 4 flatwashers

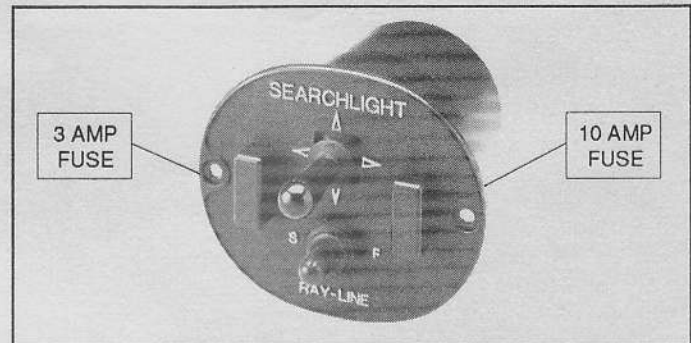
## CONTROL MOUNTING

Choose a location for the main control near the helm which will allow convenient operation. Control may be mounted on vertical, horizontal, or inclined panel.

1. Route powerleads (supplied by customer) from the voltage source to control. NOTE: Wiring must be 16 gauge with a maximum run of 15 feet.
2. Crimp terminals (supplied) onto the power leads, NOTE; larger terminal is crimped to positive lead, smaller terminal is crimped to negative lead.
3. Insert wiring cable thru back of hole and plug into control.
4. Use bedding compound or sealant to water-proof control.
5. Secure control with self-tapping screws provided.

## CIRCUIT PROTECTION

Two (2) automotive blade type fuses are included in the control. One (10 amp) protects the bulb circuit, the other (3 amp) protects the motor circuit. In the event that it should be necessary to replace a fuse simply pull off the protective cover and slide the fuse out.



CONTROLS (included)  
43670-0001 12 V  
60070-0000 24 V

## OPTIONAL SECONDARY CONTROL MOUNTING

If an additional control station is desired use control kit numbers 43670-0004 (12 volt) or 18753-0335 (24 volt). Mount secondary control in same manner as main control. Mount station selector panel near the main control (flybridge or lower).

1. Cut a 2" x 1-3/8" (51mm x 35mm) opening for station selector panel within a 1 foot radius of the control.
2. Route secondary control cable from station selector panel to secondary control location (cable acquired separately - see cable listing).
3. Insert station selector panel thru mounting hole and attach connectors to mating connectors from control and searchlight. The connector marked "flybridge" to go to flybridge control and the connector marked "lower" to lower control. The connector to the nearest control can be plugged directly into the control. See diagram.
4. Use bedding compound or sealant to waterproof station selector panel mounting.
5. Secure panel with self-tapping screws provided.

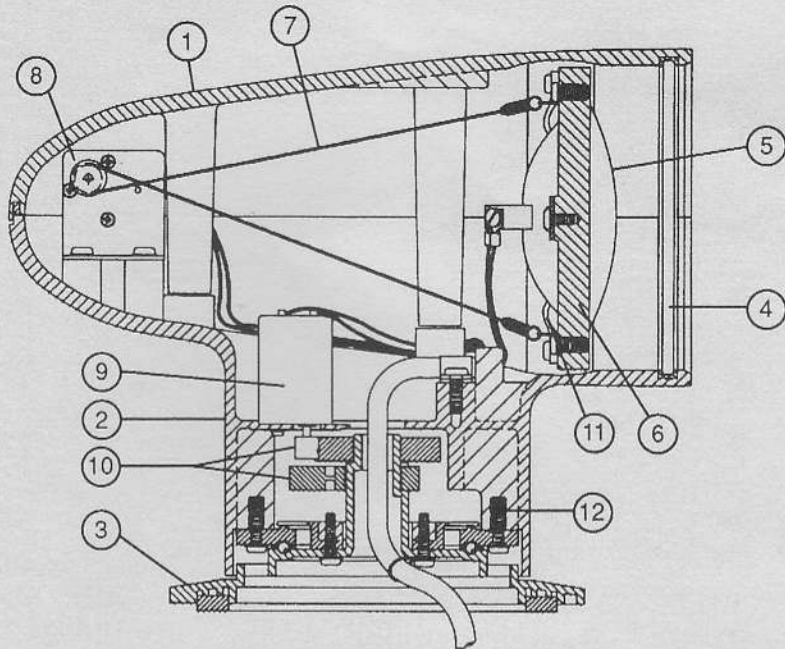
## TROUBLESHOOTING

All lights are thoroughly inspected before shipping and are warranted to operate within specifications. If light does not operate correctly, **CHECK FUSES, AND WIRE HARNESS CONNECTIONS BEFORE PROCEEDING WITH THIS TROUBLESHOOTING.**

PROBLEM	SOLUTION
Control lever works in reverse in all directions.	See wiring instructions.
Light moves in only three of the possible four directions.	A. Check connectors. B. Replace control. C. If problem persists, return light & control for service.*
Dim light (low voltage)	A. Check voltage at power source. B. Refer to cable listing for proper wire gauge and length.
Bulb operates - no light movement or Light moves - bulb does not operate.	A. Check fuses on front of control. B. Check bulb.

\***MAJOR SERVICE** - Control assembly or base drive unit assembly should be returned to the factory at 501 W. Liberty St., Springfield, Ohio 45501, for service.

# EXPLODED VIEW



## PARTS LIST

KEY	DESCRIPTION	PART No.
1	Upper Housing	60016-1000
2	Lower Housing	60017-1000
3	Base with Gasket	60088-1000
4	Lens with Gasket	60015-1000
5	Bulb (2 Req'd)	18753-0336
6	Bulb Housing	60018-1000
7	Cable Assembly	60063-1000
8	Motor Kit Vertical (Upper)	18753-0458
9	Motor Kit Horizontal (Lower)	18753-0350
10	Drive Arm/Gear	18753-0457
11	Bulb Clip Kit	18753-0459
12	Screws	18753-0471

## DUAL STATION KIT

MODEL	KIT	
60010-2012	12V	43670-0004
60010-2024	24V	18753-0335

\*NOTE: A 25' wiring cable is provided. Additional lengths may be ordered.

## ACCESSORY CABLE LISTING

Part Number	Description
43990-0013	10' Cable Assembly
43990-0014	15' Cable Assembly
43990-0015	25' Cable Assembly
43990-0016	35' Cable Assembly
67294-0000	50' Bulk Cable

NOTE: Secure cable with nylon clips or equivalent. Protect installation at points of stress, and leave adequate slack where cable must be flexible.

## BULB REPLACEMENT REFERENCE

MODEL NUMBER	BULB	
60010-2012	12V	18753-0336
60010-2024	24V	

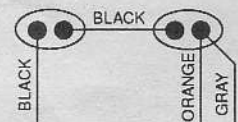
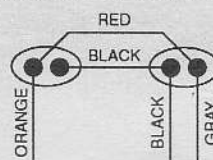
## BULB REPLACEMENT

- 1) Disconnect wires, noting location on bulb.
- 2) Loosen the screws on the bulb retaining clips.
- 3) Remove bulb from bulb housing.
- 4) Install new bulb making certain that the boss on the bulb edge is in the H shaped locating clip in the center of the bulb housing.
- 5) Tighten screws on the bulb clips.
- 6) Reconnect wires in previous positions.

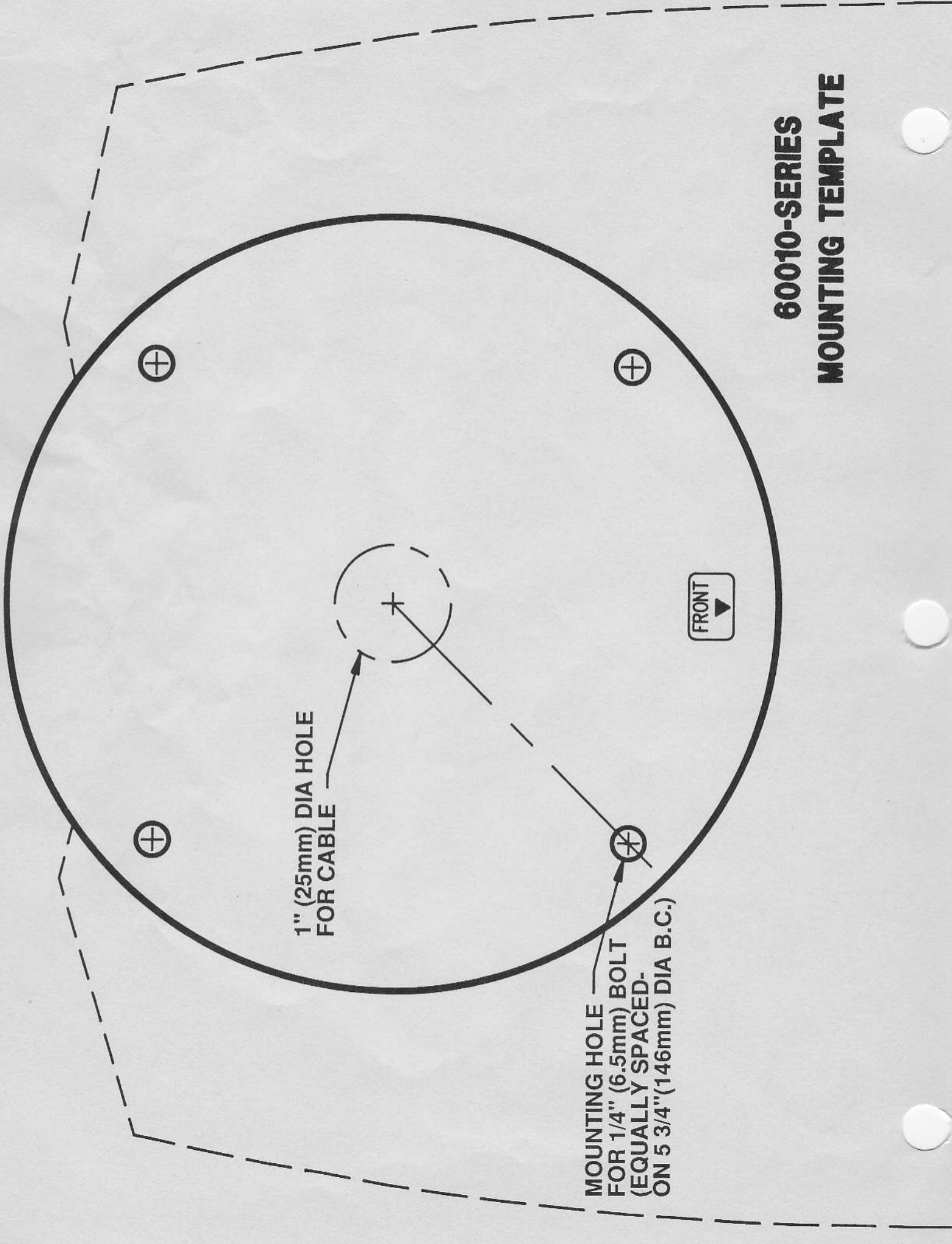
## WIRING DIAGRAM

12 VOLT SPOT/SPOT

24 VOLT SPOT/SPOT



**60010-SERIES  
MOUNTING TEMPLATE**

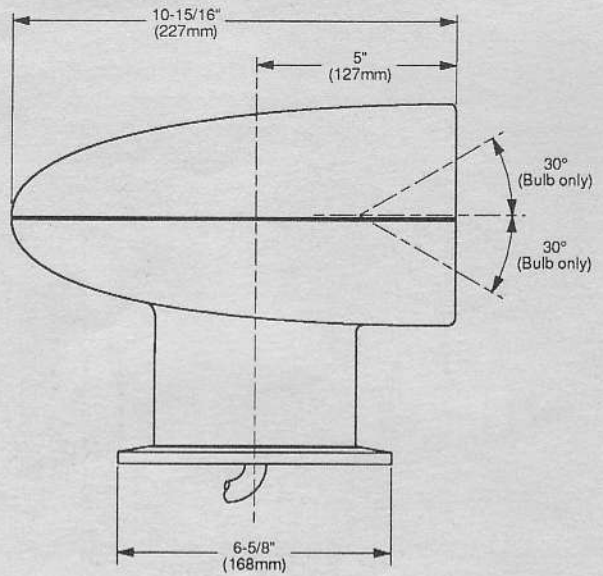
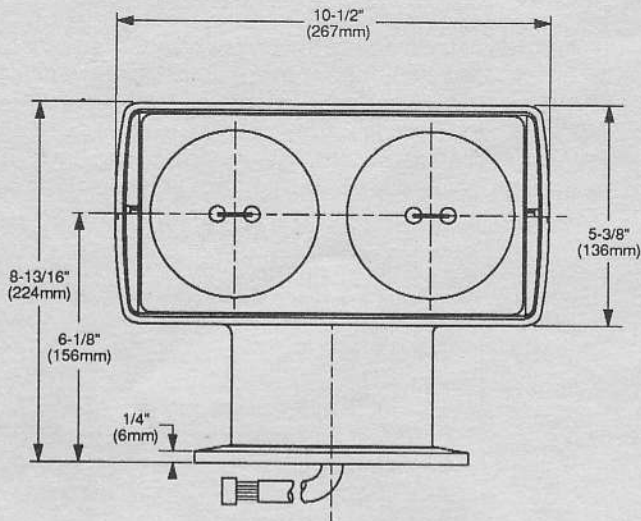


1" (25mm) DIA HOLE  
FOR CABLE

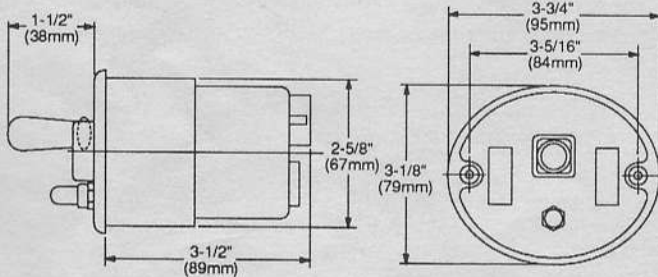
MOUNTING HOLE  
FOR 1/4" (6.5mm) BOLT  
(EQUALLY SPACED-  
ON 5 3/4" (146mm) DIA B.C.)

FRONT  
▶

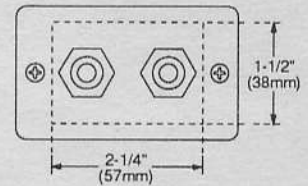
**DIMENSIONS**  
Inches (mm)



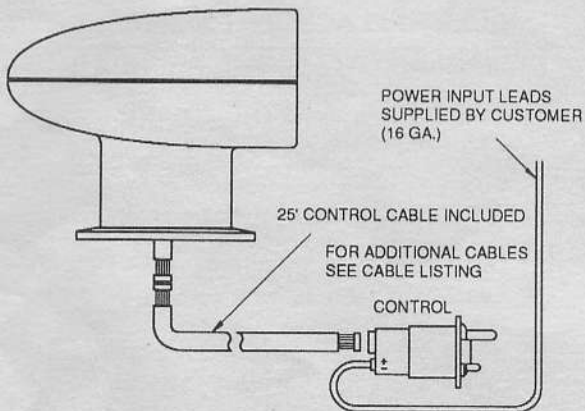
**REMOTE CONTROL MOUNTING DIMENSIONS**



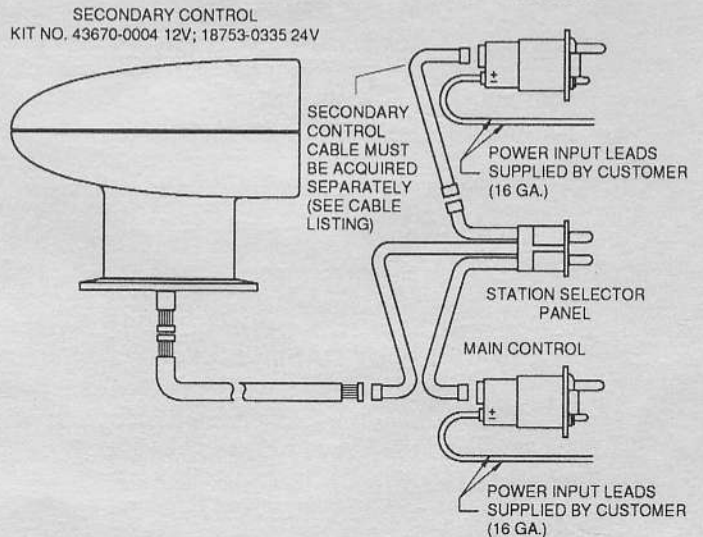
**STATION SELECTOR PANEL DRAWING**



**WIRING DIAGRAM SINGLE CONTROL**



**WIRING DIAGRAM, OPTIONAL SECONDARY REMOTE CONTROL**



THE PRODUCTS DESCRIBED HEREIN ARE SUBJECT TO THE JABSCO® ONE YEAR LIMITED WARRANTY, WHICH IS AVAILABLE FOR YOUR INSPECTION UPON REQUEST.

**ITT Jabsco**  
ITT Fluid Technology Corporation

1485 Dale Way, P.O. Box 2158, Costa Mesa, California 92628-2158  
Telephone: (714) 545-8251; Fax: (714) 957-0609  
Bingley Road, Hoddesdon, Hertfordshire EN11 0BU England  
Telephone: 0992-467191; Tlx: 263251 G; Fax: 0992-467132