



010 Size Flexible Impeller AC Motor Pump Unit

2/99

53010 Series

Stainless Steel Flexible Impeller Pump

Features

- Self prime from dry up to 1.5 metres
- Flows up to 12 litres per minute
- Pressure up to 3.5 bar
- Handles hard or soft solids
- Tolerates abrasive wear
- Non pulsating flow
- Handles viscosities up to 500 centiPoise
- Uses standard IEC motor



Typical Applications

- **Industrial** : Industrial filling systems, utility shop pump, transfer systems, recharge water softeners, sump emptying, cooling tower circulation, line cleaning, heat exchangers, air scrubbers, laboratory circulation, oil changing.
- **Food, Beverage & Dairy** : Vending Machines, refrigeration condensate pump out, wash down equipment & floor cleaning.
- **Further applications** in the industrial, marine farming & plumbing sectors, see our Bronze range of Flexible Impeller pumps

Specifications

Seal : Mechanical face, Carbon on Ceramic. Butyl elastomers.

Pump Head : Stainless steel 316

End Cover : Stainless steel 316

Bearings : Uses motor bearings

Shafts : Stainless steel shaft extension

Ports : ½" BSP External

Motor Adaptor : Stainless steel, fixed to pump head

Weight : 6.3kg

Model Options

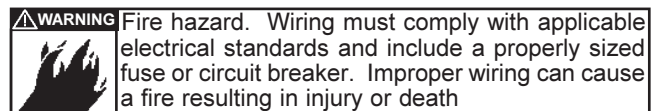
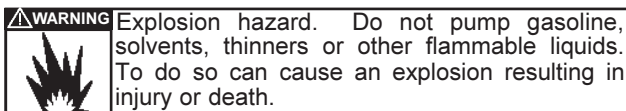
Impeller option				Neoprene 3A	Neoprene	Nitrile	Neoprene HT
Temperature range				4°C to 65°C	4°C to 80°C	-5°C to 90°C	4°C to 105°C
Poles	Volts	Amps	RPM				
4	230	2.13	1450	53010-2115	53010-2111	53010-2113	
2	230	1.88	2850	53010-02-2115			
4	115	4.20	1450	53010-03-2115			
Pump head only				53011-2115	53011-2111	53011-2113	

All motors are single phase, 180 Watt, 50 Hertz, AC. Face & Foot mounting B3-B14.

Enclosure IP55, frame size 63 all IEC 72 standard. Fitted with manual reset thermal overload.

Note : it is not recommended to start the pump at extreme ends of the temperature range, impeller damage may occur

For Installation, Operating, Maintenance and Safety Instructions refer to form 43001-0543

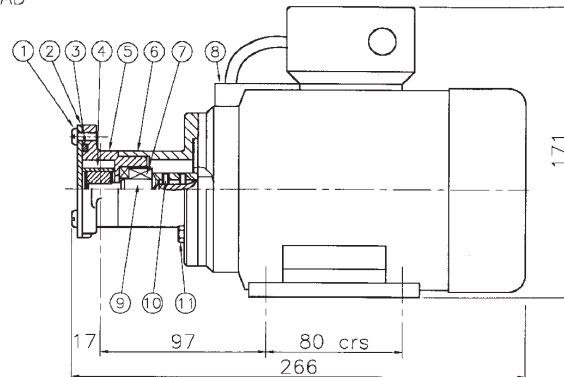
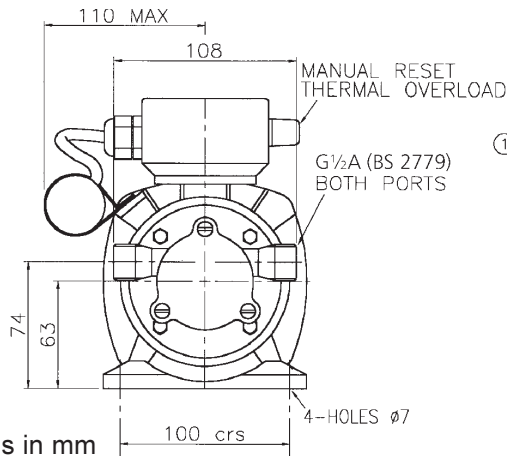


JABSCO

010 Size Flexible Impeller AC Motor Pump Unit

2/99

53010 Series



Dimensions in mm

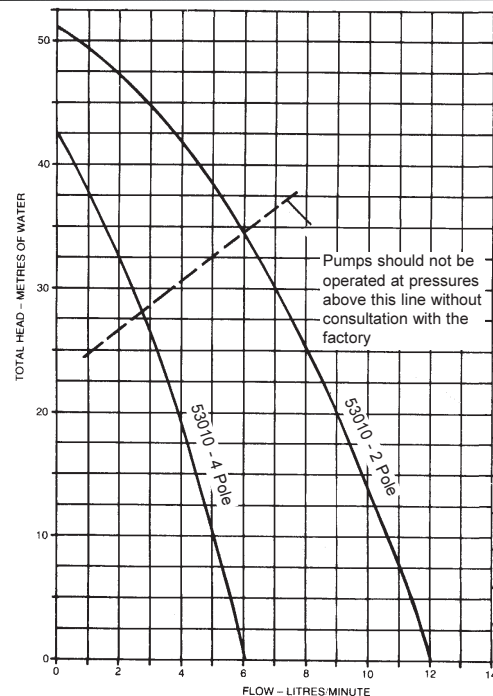
Parts List

Key	Description	Qty	Part Number
1	Screw *	3	X3002-151F
2	Endcover	1	11154-0020
3	O'Ring *	1	SP2000-58
4	Impeller	1	12298-0015
	Neoprene 3A	1	9200-0001
	Neoprene	1	9200-0003
	Nitrile	1	23250-0065
5	Body	1	22174-2100
6	Adaptor	1	53016-000
7	Seal Assembly *	1	SP8021-0301
8	Motor	1	SP8012-0260
	4 Pole 230V	1	SP8012-9266
	2 Pole 230V	1	98012-9279
9	Shaft Extension Kit	1	53017-0000
10	Set Screw	2	X3009-093F
11	Screw M4 x 16	4	X3001-153F
Parts marked * Contained in service kit			
Service Kit	Neoprene 3A	1	SK320
	Neoprene	1	SK320-02
	Nitrile	1	SK320-0113
	Neoprene HT	1	SK320-0115T

Motor Spares

Capacitor	1	X5501-033	
Fan Cowl	1	X5501-034	
Fan	1	X5501-035	
Foot	1	X5501-036	
Thermal overload switch	1	X5501-037	
Terminal box	1	X5501-038	
Screw	Terminal box	4	X5501-039

Performance



Note : Performance shown is for a new pump fitted with a Neoprene impeller pumping water at 20°C, performance may vary by up to 15%. Consult factory for performance of alternative impeller compounds.

Jabsco



ITT Industries

USA

Jabsco
1485 Dale Way
Costa Mesa
CA 92628-2158

Tel : +1 714 545 8251
Fax : +1 714 957 0609

UK

Jabsco
Bingley Road
Hoddesdon
Hertfordshire, EN11 0BU

Tel : +44 (0) 1992 450 145
Fax : +44 (0) 1992 467 132

GERMANY

Jabsco GmbH
Oststraße 28
22844 Norderstedt

Tel : +49 (0) 40 53 53 73 0
Fax : +49 (0) 40 53 53 73 11