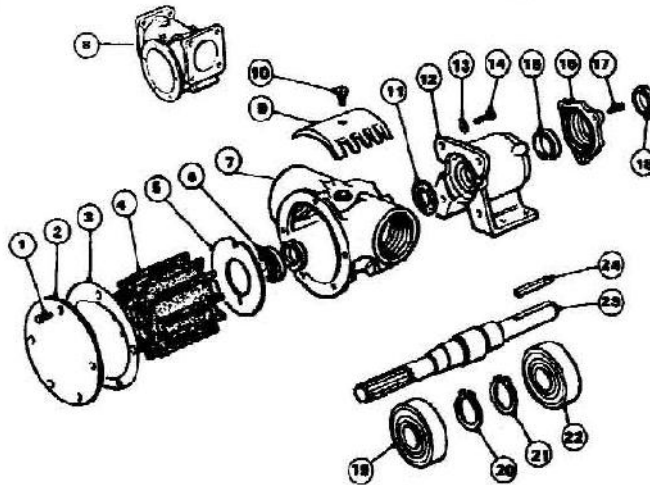


### EXPLODED VIEW



### PARTS LIST

Key	Description	Qty	Part No	Key	Description	Qty	Part No
1	Endcover Screws * 52220-0 & 52270-0 52270-2	5	SF1085-0640 X3301-176F	10	Cam Screw	1	SP1005-04
2	Endcover	1	9336	11	Slinger	1	X-020-324A
3	Gasket *	1	816	12	Bearing Housing	1	52270
4	Neoprene Impeller * 52220-0 52270-0 & -2	1	17935-0001B 21676-0001B or 17936-0001R	13	Washer 52220-0 & 52273-0 52270-2	4	SP1602-13 X3001-203C
	Nitrile Impeller * 52220-0 52270-0 & -2	1	836-0003E 21676-0003B or 6760-0003B	14	Bolt 52220-0 & 52273-0 52270-2	4	SP1095-28 X3001-203C
5	Wearplate	1	2574	15	Inner Bearing Seal	1	SP2701-54
6	Seal Assembly *	1	21840	16	Outer Seal Housing	1	52201-0000
7	Body 52270-2 (BSP) 52220-0 (Flanged) 52270-0 (Flanged)	1	50274-2100 10634 10494	17	Screw	3	X3000-173F
8	Cam 52220-0 52270-0 & -2	1	834 6988	18	Outer Bearing Seal	1	SP2701-1013
				19/22	Bearing	1	SP2601-0458
				20/21	Retaining Ring	1	Y502E-08
				23	Shaft 52220-0 52270-0 & -2	1	52227-0000 52277-0000
				24	Key	1	X-00C-567A

### Port Adaptors [Optional Extra]

Series	Kit No.	Description	Series	Kit No.	Description
52220-0	K1-01	2" ID Hose	52270-0	K2-01	2-1/2" ID Hose
	K1-200	1-1/2" BSP		K2-200	2" RSP
	K1	1-1/2" NPT		K2	2" NPT

### 52220-0 Series

Service Kit SK407-0011 contains parts marked \* Neoprene Impeller  
Service Kit SK407-0003 contains parts marked \* Nitrile Impeller

### 52270-0 & 2 Series

Service Kit SK408-0011 contains parts marked \* Neoprene Impeller  
Service Kit SK408-0013 contains parts marked \* Nitrile Impeller

### SERVICE INSTRUCTIONS

**Dis-Assembly** Inspect all parts for wear or damage and replace if necessary

1. Remove endcover screws, endcover and gasket.
2. Remove impeller.
3. Loosen cam screw and remove cam, (clean off any old jointing compound).
4. Remove wearplate.
5. Remove bolts from bearing housing to body, separate pump body from bearing housing.
6. Remove seal assembly from body.
7. Remove fixing screws and outboard seal housing together with seal.
8. Press shaft on impeller drive end to remove shaft and bearings from housing. Heating outside of body will ease dis-assembly.
9. Support bearing inner race and press shaft through bearing. Repeat procedure for other bearing.
10. Remove inner bearing seal if it needs replacing.

### Assembly

1. Lubricate inner bearing seal with grease and press into body bearing seal bore with lip facing away from bearing bore.
2. Fit retaining rings onto shaft and press on bearings.
3. Grease seal area of shaft, push bearings and shaft into bearing housing by pressing on outer race of bearing.
4. Fit outer bearing seal into the outboard seal housing and fit to bearing housing, securing with retaining screws.
5. Place slinger on shaft.
6. Fit pump body to bearing housing securing with 4 bolts.
7. Fit seal seat and cup rubber, with seal seat facing towards impeller bore. Fit seal with carbon face towards face of seal seat.
8. Install wearplate in body bore aligning slot in wearplate with cowl pin in body.
9. Coat cam screw threads and top of cam with a non setting jointing compound. Install in body.
10. Lubricate impeller bore with a light coat of pump grease and start impeller into bore with a rotary motion until splines engage, then push into bore.
11. Replace gasket, endcover and secure with endcover screws.

### INSTALLATION DRAWING

