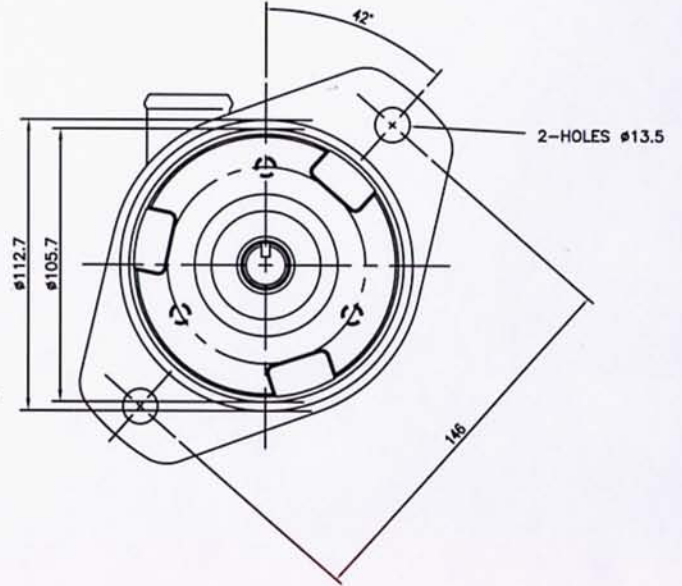
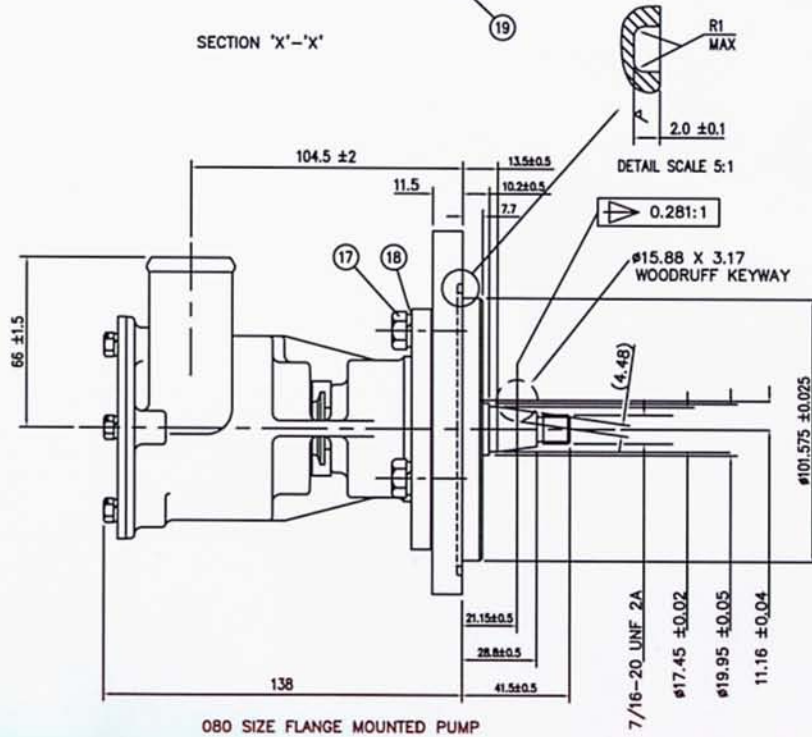
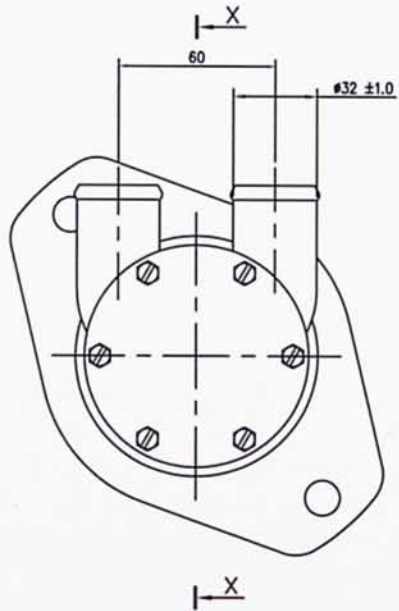
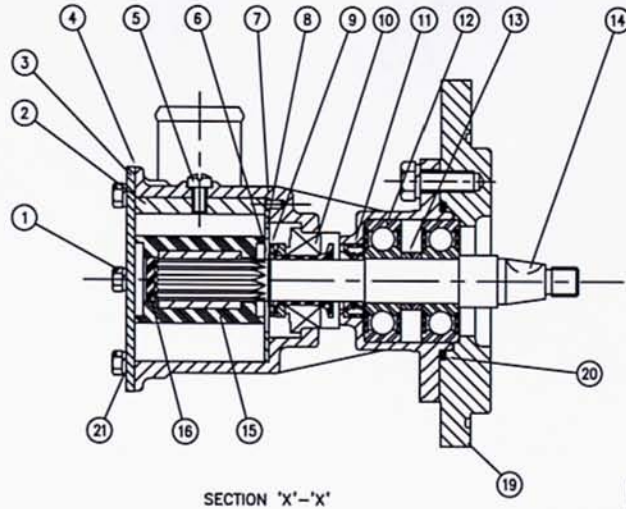


ALL DIMENSIONS IN MILLIMETRES

KEY	DESCRIPTION	QTY.
1	SCREW	6
2	CAM	1
3	ENDCOVER	1
4	GASKET	1
5	SCREW	1
6	RETAINING RING	1
7	BODY	1
8	WEARPLATE	1
9	SUPPORT WASHER	1
10	MECHANICAL SEAL	1
11	LIP SEAL	1
12	BEARING	2
13	SPACER	2
14	SHAFT	1
15	IMPELLER	1
16	SPLINE SEAL	1
17	SCREW	3
18	SPRING WASHER	3
19	ADAPTOR FLANGE	1
20	O-RING	1
21	SPRING WASHER	6



DRAWING NO.		DATE		SCALE		MATERIAL	
CHECKED		APPROVED		M.D.R.		DATE	
PROJECT		TITLE		DRAWING		DRAWING	
PROJECTION		ANGULAR		CHECKED		APPROVED	
NOTICE		THIS DRAWING IS THE PROPERTY OF ITT JABSCO AND IS NOT TO BE REPRODUCED OR TRANSMITTED IN ANY FORM OR BY ANY MEANS, ELECTRONIC OR MECHANICAL, INCLUDING PHOTOCOPYING, RECORDING, OR BY ANY INFORMATION STORAGE AND RETRIEVAL SYSTEM, WITHOUT THE WRITTEN PERMISSION OF ITT JABSCO.		DO NOT SCALE - REPORT ERRORS		SCALE: 1:1 DATE: 3/1/03	
ISSUED		MATERIAL: -		DRAWN: M.D.R.		DATE: 3/1/03	
CHECKED		TITLE: INSTALLATION/ASSEMBLY		DRAWING		DRAWING	
APPROVED		DRAWING NO.: 50310-1301		CHECKED		APPROVED	