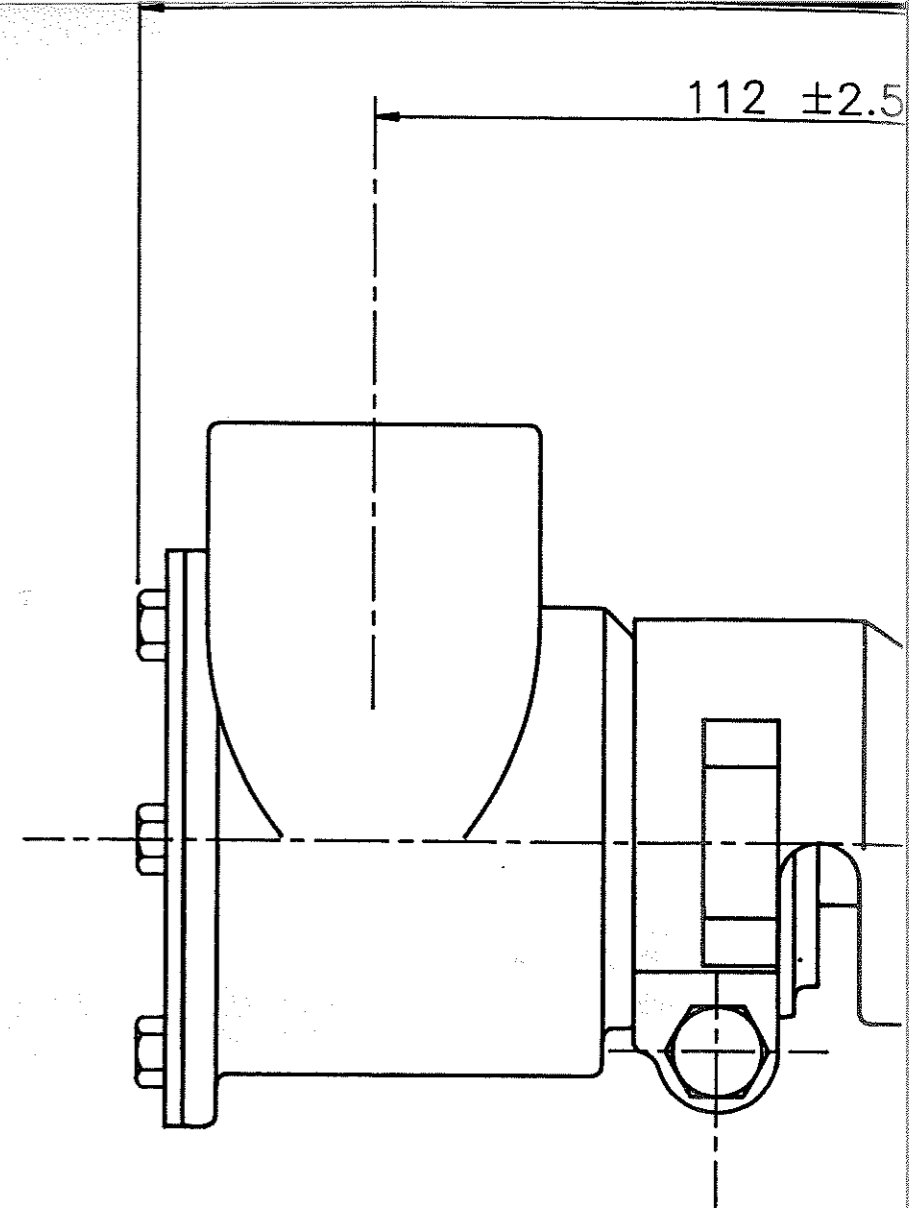
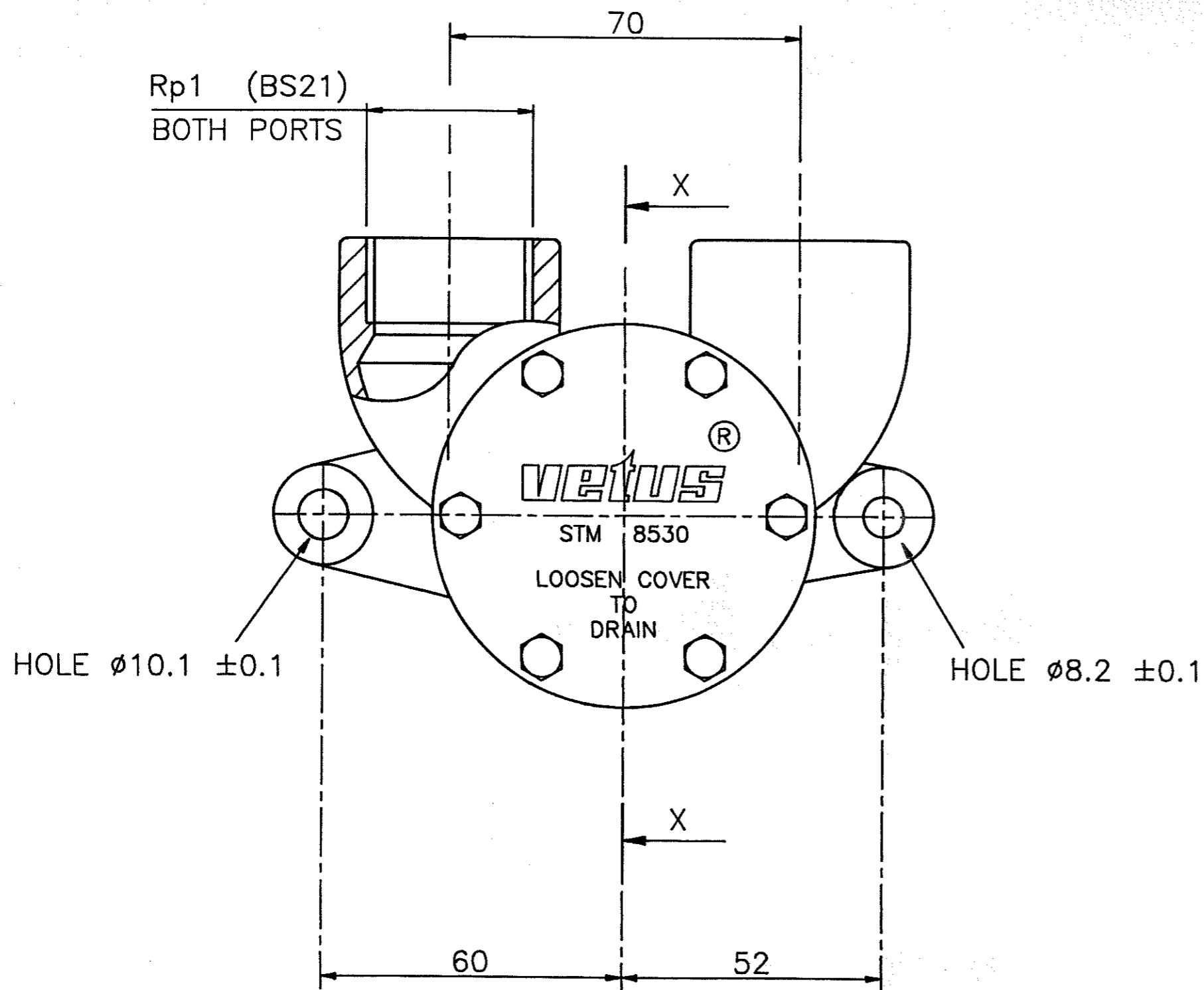
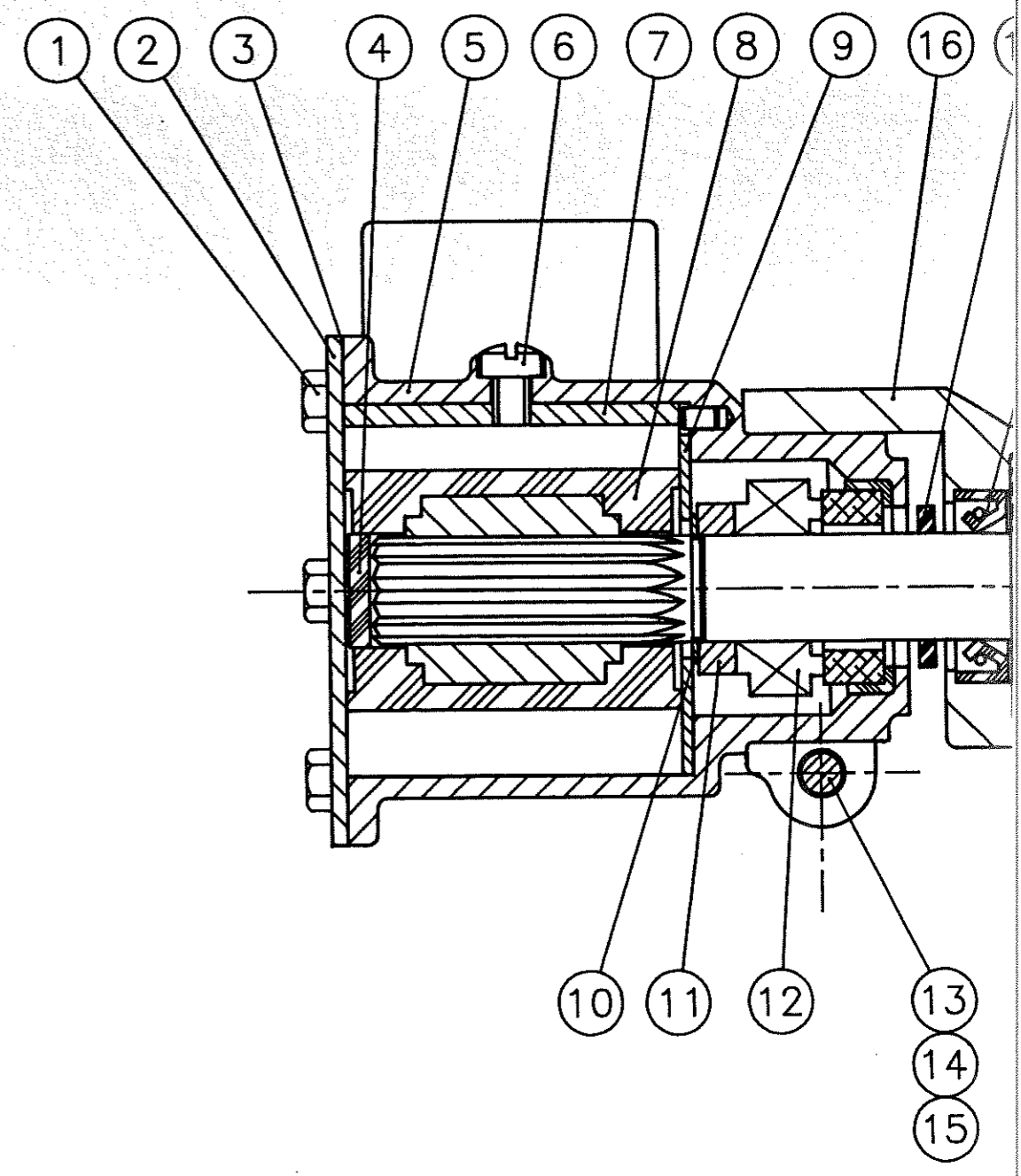
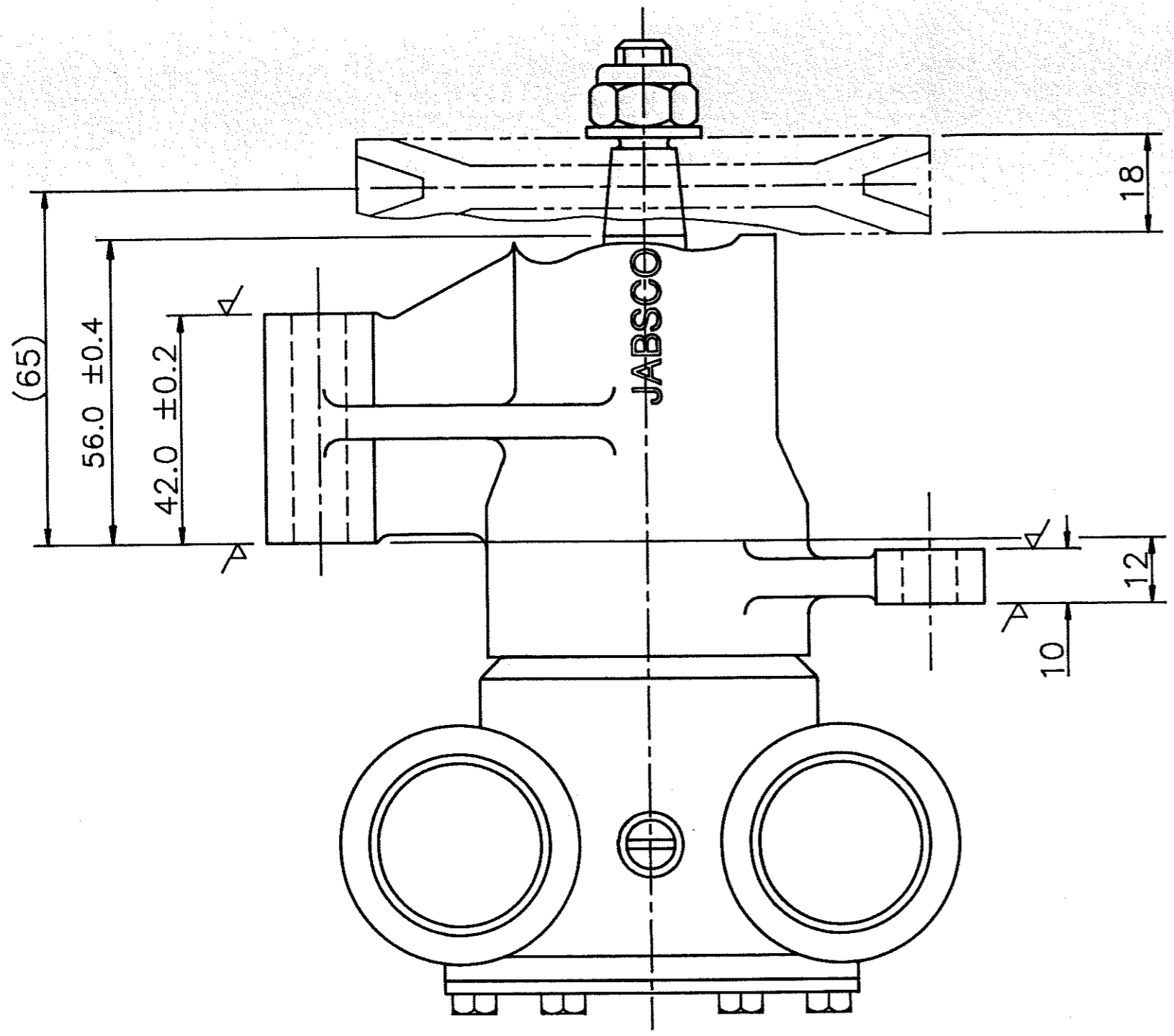


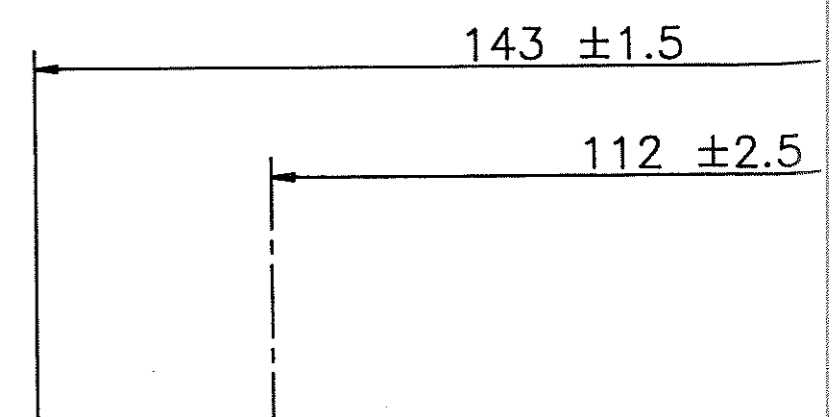
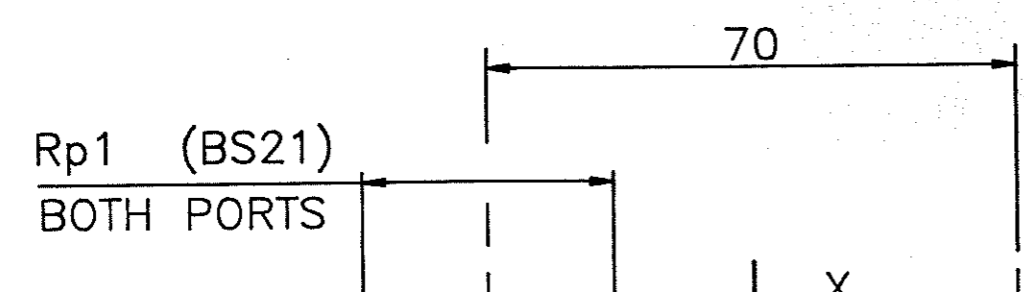
NOTICE										Jabsco		HODDESDON HERTS ENGLAND		© 1996
THIS DRAWING MAY REPRESENT A PROPRIETARY ARTICLE OR ONE ON WHICH PATENTS ARE APPLIED FOR OR ISSUED. REPRODUCTION THEREOF OR MANUFACTURE OF PARTS THEREFROM IS NOT PERMISSIBLE WITHOUT THE WRITTEN PERMISSION OF ITT JABSCO										DO NOT SCALE -- REPORT ERRORS		MATERIAL: -		
REMOVE SAND, FINIS, FLASH & SCALE FROM CASTINGS, FORGINGS & MOULDINGS. PART TO BE FREE OF BURRS. TOLERANCES UNLESS OTHERWISE STATED:										SCALE: 1:1	DATE	TITLE: INSTALLATION / ASSEMBLY		
LINEAR ± -										DRAWN	JER	4.4.96	DRAWING NO.: 50120-2051	
ANGULAR ± -										CHECKED				
PROJECTION										APPROVED	<i>B. N. C.</i>	<i>5/9/96</i>	A1	
EGN 8956 5/9/96										CHANGE DATE				



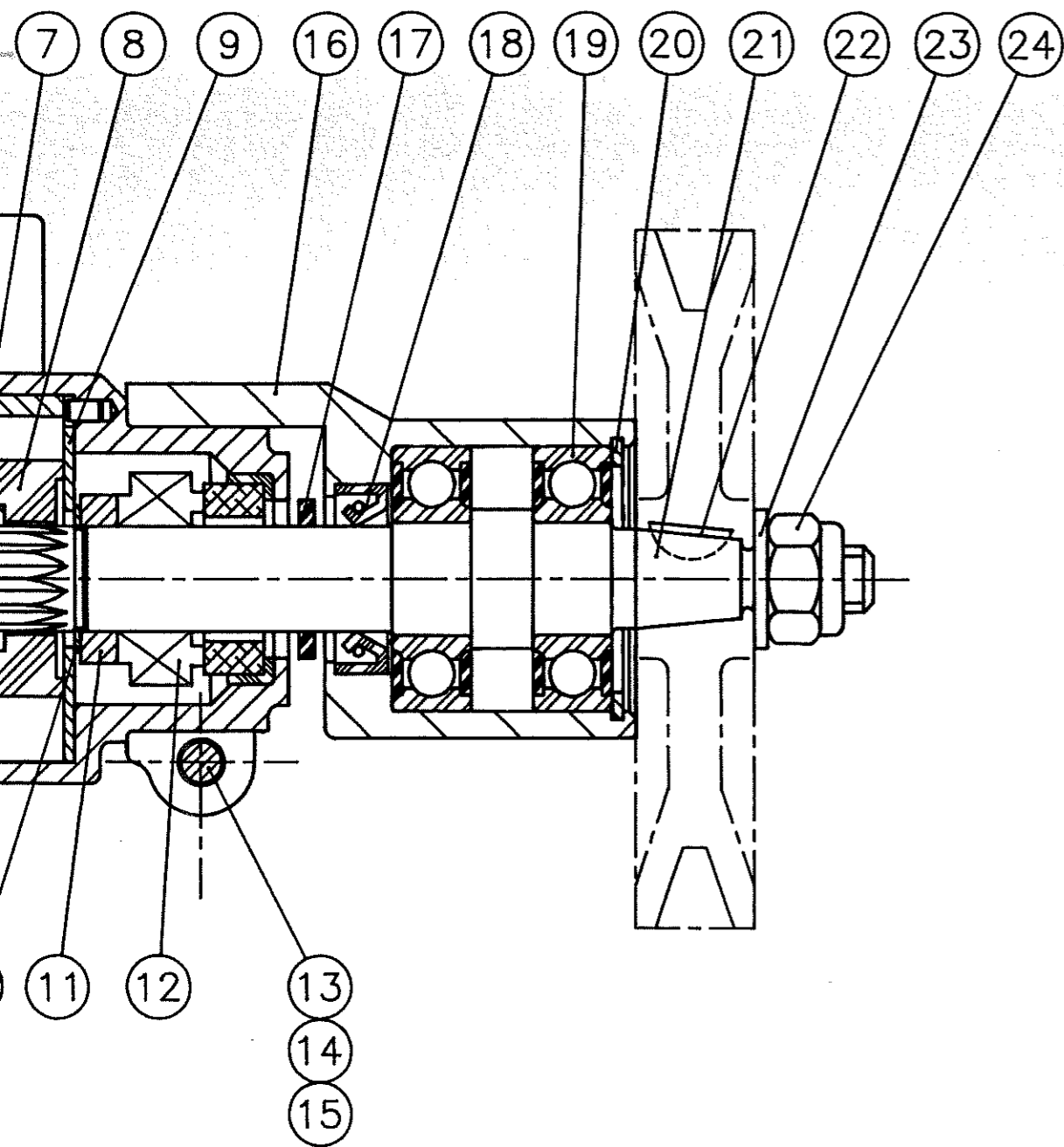
060 BRONZE PUMP (1/2 CAM)



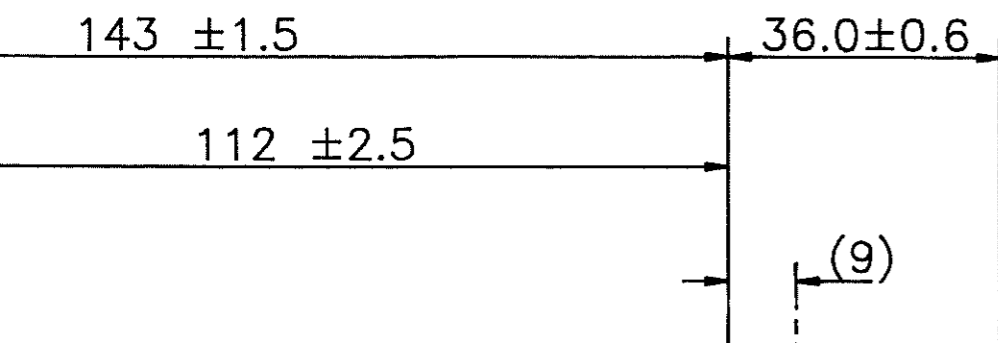
SECTION X - X



DIMENSIONS IN MILLIMETRES



SECTION X - X



SPZ PULLEY
(CUSTOMER SUPPLY)

KEY	DESCRIPTION	QTY.
1	SCREW-END COVER	6
2	END COVER	1
3	GASKET	1
4	SPLINE PLUG	1
5	BODY	1
6	SCREW-CAM	1
7	CAM (HALF)	1
8	IMPELLER	1
9	WEARPLATE	1
10	RETAINING RING	1
11	SPACER	1
12	MECH SEAL ASSY	1
13	BOLT	1
14	WASHER	1
15	NUT	1
16	BEARING HOUSING	1
17	SLINGER	1
18	LIPSEAL	1
19	BEARING	2
20	RETAINING RING	1
21	SHAFT	1
22	KEY	1
23	WASHER	1
24	NYLOC NUT	1