

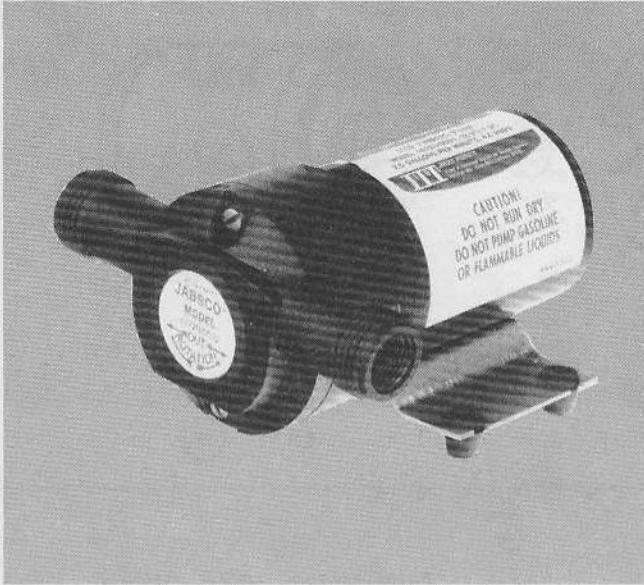
JABSCO® PUMPS

Self-Priming Pumps

MODEL: 44720-0000

REVERSIBLE 12V. DC MOTOR PUMP UNIT

Product Data



APPLICATIONS

Bait tank circulation. Pumps in either direction for circulating and emptying bait containers. Ideal capacity for one and two scoop bait tanks. Flow at 10 ft. head: 2.5 GPM (9.5 L/min), amp. draw: 4.0 amps.

Ample fluid capacity at low ampere draw — conserves battery when used over extended periods for bait tank circulation.

Reversible motor enables the unit to be used for circulating or emptying bait tanks — controlled by optional three-way switch, Part No. 96070-0110.

Self-Priming — will not air-lock if flow is temporarily interrupted — insures circulation required to keep bait in top condition.

Dependable — trouble-free service when properly used.

Easy to Service — impeller or seals easily and quickly replaced with no special tools. Service kits available for added convenience.

Use only plastic internal port fittings. Part No. 92451-0070 — 3/8" pipe to 1/2" slip-on hose adaptor.

DESIGN FEATURES

Body: Phenolic-type plastic

Impeller: Jabsco Neoprene Compound

Seal: Lip type

Ports: 3/4" Garden hose external thread
3/8" Pipe internal thread

Motor: Reversible permanent type, fully enclosed, stainless steel shaft

Dimensions: 3-1/4" (83mm) High, 6-1/4" (159mm) Long, 5-1/32" (128mm) Wide.

Weight: 4 lbs. (1.8 kg) (approx.)

INSTALLATION

Pump is *not* designed to be submerged or be subjected to water spray or splash. Mount the unit in a dry location above bilge water levels.

Motor and impeller life will be greatly extended if pump body has some water in it when pump is started. This can be accomplished by installing intake and discharge lines so they drain into pump after shut-off. If pump has been idle for a long period water should be poured through the intake or discharge line to wet impeller.

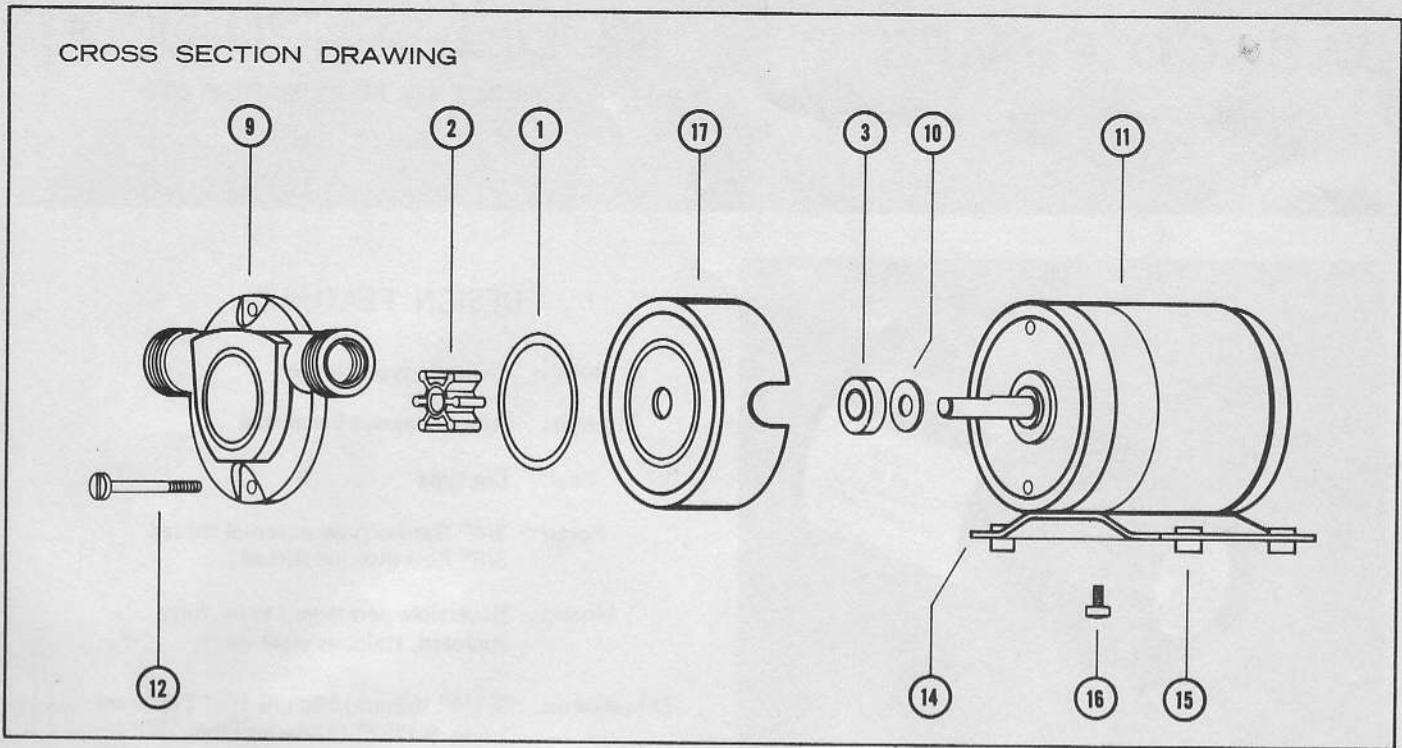
Each season, the pump should be disassembled and cleaned.

MODEL 44720-0000 REVERSIBLE 12 VOLT D.C.

JABSCO PRODUCTS **ITT**

Form 43000-0190 Rev. 10-77

CROSS SECTION DRAWING



PARTS LIST

Key	Description	Part Number	Qty.
1	*"O" Ring	92000-0750	1
2	*Impeller	1414-0001	1
3	*Seal Assembly	92700-0910	1
9	Body	12375-0000	1
10	Slinger	6342-0000	1
11	Motor	18478-0000	1
12	Screw (End Cover)	91003-0120	2
14	Base	17845-0000	1
15	Grommet	92900-0330	4
16	Screw (Base)	91053-0120	2
17	Seal Housing	12314-0000	1
	Replacement Pump Head	12317-0000	—
	Service Kit	90158-0003	—

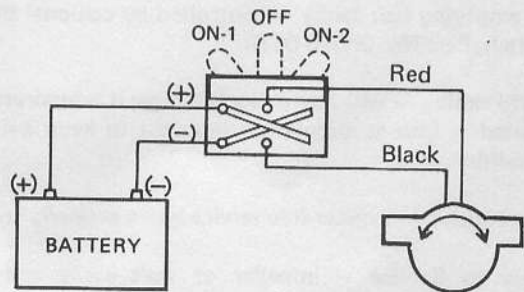
*Parts Supplied in Service Kit

MINIMUM WIRE SIZES

Connection Length Between Battery and Motor	12 V.
1-10 ft. (3m)	#14
11-20 ft. (6m)	#12
21-30 ft. (9m)	#10

CAUTION: Use only multi-strand copper wire in size recommended. DO NOT use ordinary lamp cord or other substitutes. Use 6 amp. fuse.

WIRING DIAGRAM



Reversible wiring diagram with bottom view of three-way toggle switch, Part No. 96070-0110. Facing pump end of unit, the on-1 switch position will give right-hand port discharge. The on-2 position will give left-hand port discharge.

JABSCO PRODUCTS **ITT**

Marine and Recreation Components Division
International Telephone and Telegraph Corporation,
1485 Dale Way, Costa Mesa, California 92626 Phone 714/545-8251