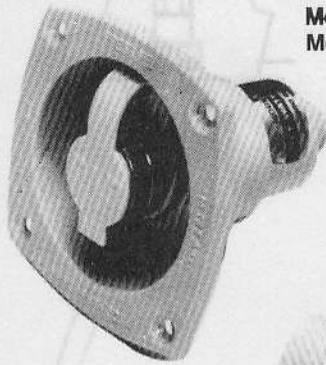


**PAR**<sup>®</sup>

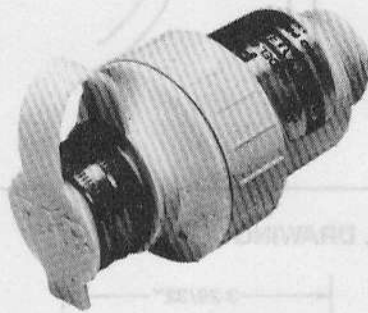
# Models 44410-1000 44410-2000 44410-1010

## WATER PRESSURE REGULATORS

Model 44410-1000 (White)  
Model 44410-2000 (Chrome)



Model 44410-1010



### FEATURES

- Reduces unregulated city water pressures that can run as high as 100 psi down to a safe 35 psi. – automatically.
- Features built-in backflow preventer. Federal and State requirement on campers with water service hook up.
- Built-in port strainer is easily cleanable.
- Solid brass hose connection.

Models 44410-1000, 44410-2000,  
44410-1010

### APPLICATIONS

Most boat or RV water systems can't take the unregulated high pressures found in most campgrounds or marine hookups. Hoses slip off connections; seals and fittings leak. That's why you need a PAR City Water Regulator – to keep pressure down to a safe 35 psi. It's inexpensive protection against expensive high pressure pump damage.

The PAR Regulator also prevents backflow (as required by State and Federal regulations) and it keeps grit out of your water with an easy-to-clean stainless steel strainer.

Models 44410-1000, -2000 are permanently installed flush mount wall models that double as city water entries. Model 44410-1010 is a portable in-line version with male and female garden hose connections that simply threads between your existing water entry and garden hose hookup.

Both models are made of tough F.D.A. listed plastics, safe for drinking water. And, when used properly, both are inexpensive insurance against high pressure damage.

### SPECIFICATIONS

<b>Maximum Inlet Pressure:</b>	100 psi
<b>Discharge Pressure:</b>	35 psi (approx.)
<b>Inlet Connection:</b>	3/4" Brass Female Garden Hose Fitting
<b>Discharge Connection:</b>	1/2" NPT – Flush mount models 3/4" Male Garden Hose Connection – in-line model
<b>Materials:</b>	Acetal Copolymer and A.B.S. Plastics, Brass Connector

MODEL	TYPE	INTAKE PORT	DISCHARGE PORT	WT./PC. OZ. (kg)
44410-1000	Flush		1/2" MPT	
44410-1010	In-Line	3/4" GHT	3/4" GHT	6 (0,2)
44410-2000	Flush		1/2" MPT	

**MODELS 44410-1000, -2000**

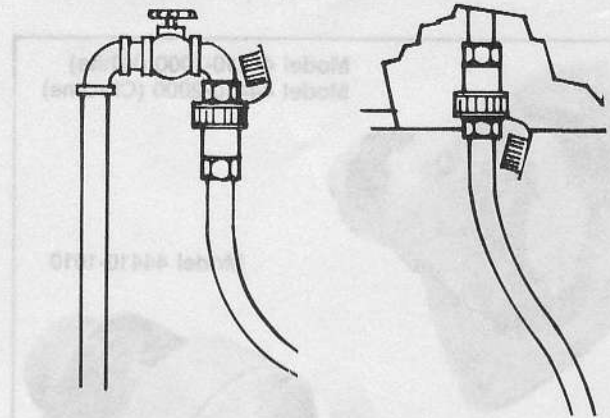
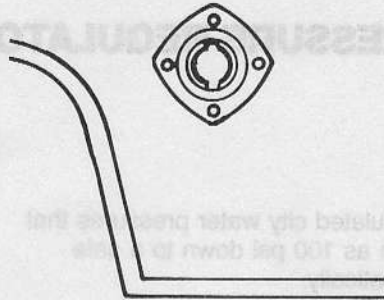
**Permanent City Water Regulator/City Water Entry**

Flush mounts permanently in vehicle wall. Easily replaces obsolete city water entries.

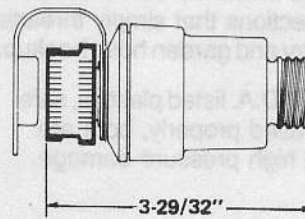
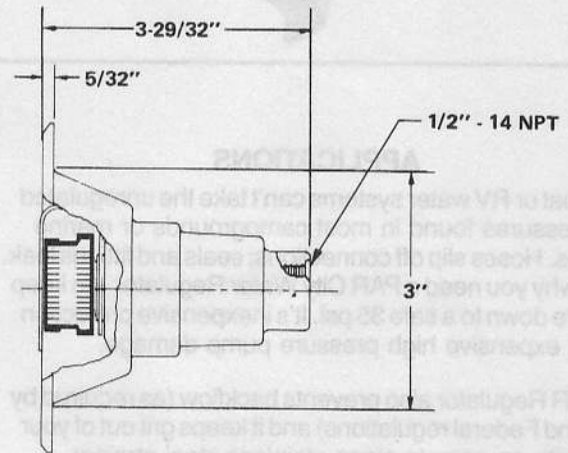
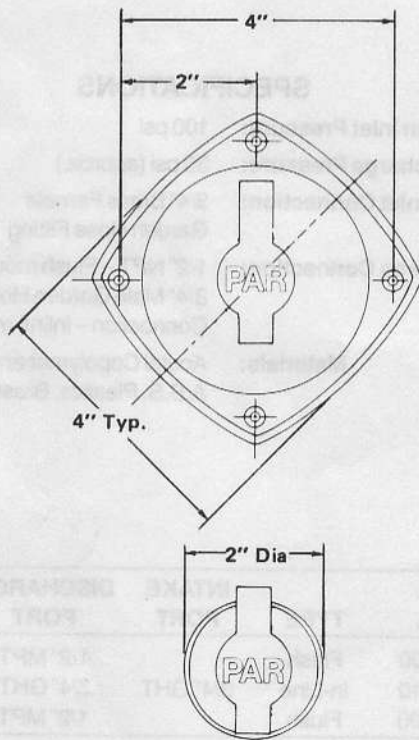
**MODEL 44410-1010**

**City Water Regulator for Temporary or Permanent Mounting**

Simply threads between city water hookup hose and faucet for temporary mounting or threads into existing city water entry of either wall mount or under-chassis types.



**DIMENSIONAL DRAWING**



**THE PRODUCTS DESCRIBED HEREIN ARE SUBJECT TO THE JABSCO ONE YEAR LIMITED WARRANTY, WHICH IS AVAILABLE FOR YOUR INSPECTION UPON REQUEST.**

**ITT Jabsco**

ITT Fluid Technology Corporation  
1485 Dale Way, P.O. Box 2158, Costa Mesa, CA 92628-2158  
Tel: (714) 545-8251; Fax: (714) 957-0609  
Bingley Road, Hoddesdon, Hertfordshire EN11 0BU England  
Tel: 0992-467191; Tlx: 263251 G; Fax: 0992-467132