



Model 44010-2 Series

PAR-MATE™ Automatic Water Pressure Pump

FEATURES

- Self-Priming
- Run Dry
- Super Quiet
- Smooth Flow
- Low Current Draw
- Extra Low Profile
- Easy to Install
- 1/2" (13 mm) Hose Adaptors included
- Complies with USCG Regulation 183.410 and ISO 8846 MARINE for Ignition Protection
- -0900 series pumps comply with BSEN 50081-2 and 89/336/EEC Electromagnetic Compatibility requirements and are **CE** marked.



Model 44010-2 Series

SPECIFICATIONS

Pump Body:	Glass Filled Polypropylene
Pump Design:	Dual Diaphragm
Pump Drive:	Ball/Sleeve Bearing
Suction Lift:	Self-priming to 4 ft (1,2 m)
Ports:	1/2" Threaded
Motor:	Permanent Magnet
Weight:	3.2 lb (1,5 kg)
Dimensions:	9-3/16" x 5-1/4" x 3-3/8" (233 mm) x (133,4 mm) x (85,7 mm)

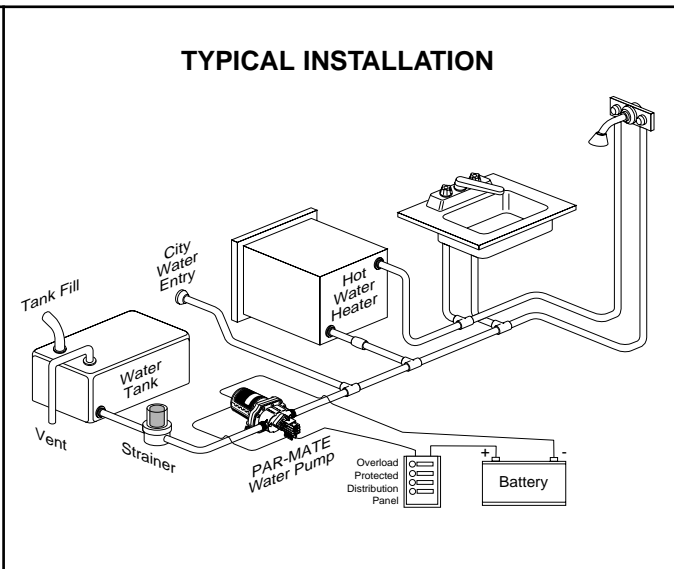
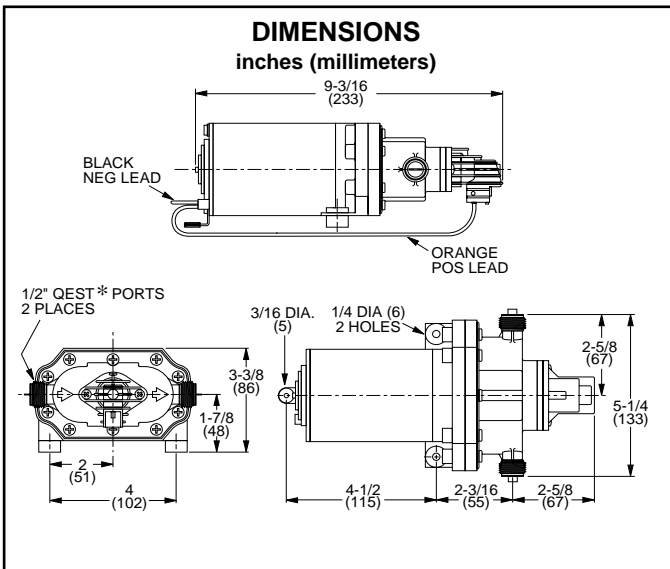
The PAR-MATE automatic water system pump is designed for self-contained RV's and pleasure boats with multi-fixture water systems. The system is automatic when a faucet is opened, the pump instantly begins operation to provide a constant flow from tank to faucet. Closing the faucet automatically discontinues pump operation.

PUMP PERFORMANCE / ELECTRICAL SPECIFICATIONS

VARIATIONS							PRESSURE	
MODEL	NO. OF PORTS	VOLTAGE	GPM/LPM	CUT-IN	CUT-OUT	@ 10 psi		
44010-2000 -2900	no	12 Vdc	2.5/9,5	20 (1.4)	40 (2.8)	4	6	
	yes	12 Vdc				4	6	
44010-2001 -2901	no	24 Vdc	2.5/9,5	20 (1.4)	40 (2.8)	2		
	yes	24 Vdc				2		
44010-2010 -2910	no	12 Vdc	2.5/9.5	10 (0.7)	20 (1.4)	4	6	
	yes	12 Vdc				4	6	
44010-2011 -2911	no	24 Vdc	2.5/9.5	10 (0.7)	20 (1.4)	2	4	
	yes	24 Vdc				2	4	

4
4

INSTALLATION



MOUNTING

The PAR-MATE pump is self-priming and may be located above or below the fresh water tank in a dry location. To vertically mount this unit, it is best to do so with the motor on top. This will prevent water dripping on motor in the event of a leak.

Place pump on a solid surface and secure with the three mounting screws being careful not to compress the rubber grommets which act as shock absorbers.

PLUMBING

Flexible portable water hose is recommended instead of rigid piping at pump. If you choose to use copper, provide a short length of hose between copper pipe and the pump to avoid noise and vibration. Use clamps at both ends of hose to prevent air leaks into the water line. NOTE: Intake hose must be minimum 1/2" (13mm) ID reinforced hose. Main distribution line from pump should also be 1/2" (13mm) ID with branch and individual supply lines to outlet no smaller than 3/8" (10mm). Select two of the port adaptors supplied to match your plumbing system. Do not overtighten adaptors - hand tighten only. A Jabsco "Pumpgard" 36400-0000 in line strainer should be installed between pump and tank to keep debris out of system. Fresh water tank must be vented. The pump inlet and outlet hoses may be wrapped with foam rubber to prevent unnecessary noise from hydraulic vibrators. Avoid any kinks or fittings which could cause excessive restrictions. Remember to periodically clean faucet screens. Water purifiers or filters usually create backpressure and should be on separate feed.

WARNING Fire hazard. Wiring must comply with applicable electrical standards and include a properly sized fuse or circuit breaker. Improper wiring can cause a fire resulting in injury or death.

IF YOU ARE NOT FAMILIAR WITH APPLICABLE ELECTRICAL STANDARDS, HAVE THE UNIT INSTALLED BY A QUALIFIED ELECTRICIAN.

WARNING Explosion hazard. Do not pump gasoline, solvents, thinners or other flammable liquids. To do so can cause an explosion resulting in injury or death.

WIRING

The pump should be wired in a dedicated circuit independent of all other accessories. Connect the bare spade terminal on the pressure switch to an overload protected switch or breaker panel with a breaker (fuse) of the correct amp rating determined from the electrical specification chart. Connect the motor's black wire lead to battery negative.

Select wire size from chart below. Use total length of wire from electrical source to pump and return. Chart allows for 3% volt-age drop. If in doubt, use next larger wire size.

Total length in feet	0-20 (0-6m)	20-35 (6-11m)	35-55 (11-17m)
12 Volt	#14 AWG (2.5 mm ²)	#12AWG (4 mm ²)	#10AWG (6 mm ²)
24 Volt	# 16 AWG (1.5 mm ²)	#14AWG (2.5 mm ²)	#12AWG (4 mm ²)

After installation, check the voltage at the pump motor. Voltage should be checked when pump is operating. Full voltage must be available at the pump motor at all times.

OPERATION

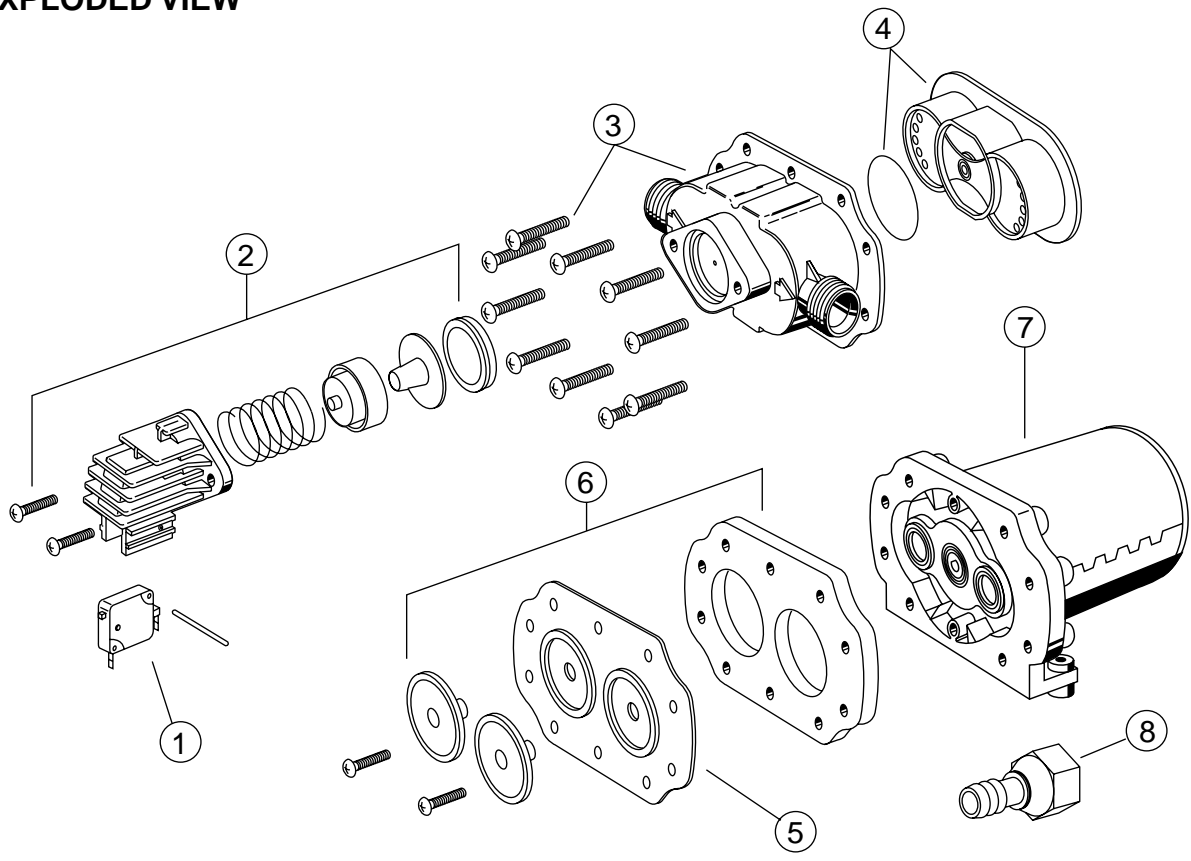
1. Check level of water in tank.
2. Open all faucets hot and cold.
3. Switch pump to on position and wait for hot water tank and water lines to fill.
4. Close each faucet as flow becomes steady and free of air (close cold water first). Pump should shut off soon after closing last faucet.
5. Pump is now ready for automatic operation. It will start when faucet is opened and stop when faucet is closed.
6. If pump will be inoperative for a considerable length of time, turn off power to pump and relieve the water pressure by opening a faucet.

DANGER

Motor case will get hot. Prolonged contact during operation may cause a burn.

* QEST is a registered trademark of U.S. Brass.

EXPLODED VIEW



PARTS LIST

KEY	DESCRIPTION	QTY	PART NO.
1	Micro Switch	1	18753-0141
2	Std. Pressure Switch	1	37121-0010
	Low Pressure Switch	1	44814-1000*
3	Body Kit	1	44013-2000
4	Valve Kit	1	44038-1000
5	Diaphragm	1	44017-2000
6	Plate/Piston Kit	1	44032-2000
7	Motor Kit 12 Vdc	1	44043-2012
	Motor Kit 24 Vdc	1	44043-2024
8	Hose Adaptor	1	43990-0010

OPTIONAL PORT ADAPTORS

DESCRIPTION	PART NO.	QTY
1/2" Straight	43990-0010	1 pr.
1/2" 90° Elbow	43990-0072	1 pr.
5/8" Straight	18753-0547	1 pr.
5/8" 90° Elbow	18753-0548	1 pr.

* Low Pressure Switch used on -2010, -2910, -2011 and -2911 models.

TROUBLESHOOTING

PULSATING FLOW - PUMP CYCLES ON AND OFF

- Restricted pump delivery. Check discharge lines, fittings and valves for clogging or undersizing.

FAILURE TO PRIME - MOTOR OPERATES, BUT NO PUMP DISCHARGE

- Restricted intake or discharge line.
- Air leak in intake line.
- Punctured pump diaphragm.
- Debris under flapper valves
- Crack in pump housing

MOTOR FAILS TO TURN ON

- Loose wiring connection
- Pump circuit has no power
- Blown fuse
- Pressure switch failure
- Defective motor

WINTERIZING YOUR WATER SYSTEM

To winterize, it is necessary to drain the water from the entire water system. Blowing into the lines to remove the water from your water system is not satisfactory due to the check valve mechanism built into the pump.

Follow these steps to remove all water from your water system:

1. Drain water by opening tank drain, or open a fixture and allow pump to operate until tank is dry.

PUMP FAILS TO TURN OFF AFTER ALL FIXTURES ARE CLOSED.

- Empty water tank
- Punctured pump diaphragm
- Discharge line leak
- Defective pressure switch
- Insufficient voltage to pump
- Debris under flapper valves

LOW FLOW AND PRESSURE

- Air leak at pump intake
- Accumulation of debris inside pump and plumbing
- Worn pump bearing (excessive noise)
- Punctured pump diaphragm
- Defective motor

2. Open the lowest outlet in water system to drain lines.

3. To remove any remaining water (about a cup), remove outlet hose on pump and activate pump. To blow out lines, attach air nozzle where outlet hose was removed. Make sure all fixtures are open before starting.

4. Your water system is now winterized. Don't forget to reattach the outlet hose and close all fixtures.

⚠ DANGER DO NOT USE AUTOMOTIVE TYPE ANTI-FREEZE. IT IS POISONOUS. USE OF THIS TYPE ANTI-FREEZE WILL CAUSE SERIOUS INTERNAL INJURY OR DEATH.

⚠ DANGER DO NOT USE AUTOMOTIVE TYPE ANTI-FREEZE. IT IS POISONOUS. USE OF THIS TYPE ANTI-FREEZE WILL CAUSE SERIOUS INTERNAL INJURY OR DEATH.

JABSCO WATER PRESSURE SYSTEM ACCESSORIES

REGULATOR 44410-SERIES



ACCUMULATOR TANKS 30573-0000



PUMPGARD 36400-SERIES



Jabsco



ITT Industries
Engineered for life



THE PRODUCTS DESCRIBED HEREIN ARE SUBJECT TO THE JABSCO ONE YEAR LIMITED WARRANTY, WHICH IS AVAILABLE FOR YOUR INSPECTION UPON REQUEST.

U.S.A.
Jabsco
1485 Dale Way, P.O. Box 2158
Costa Mesa, CA 92628-2158
Tel: (714) 545-8251
Fax: (714) 957-0609

CANADA
Fluid Products Canada
55 Royal Road
Guelph, Ontario N1H 1T1
Tel: (519) 821-1900
Fax: (519) 821-2569

JAPAN
NHK Jabsco Company Ltd.
3-21-10, Shin-Yokohama
Kohoku-Ku, Yokohama, 222
Tel: 045-4758906
Fax: 045-475-8908

GERMANY
Jabsco GmbH
Oststrasse 28
22844 Norderstedt
Tel: +49-40-53 53 73 -0
Fax: +49-40-53 53 73 -11