

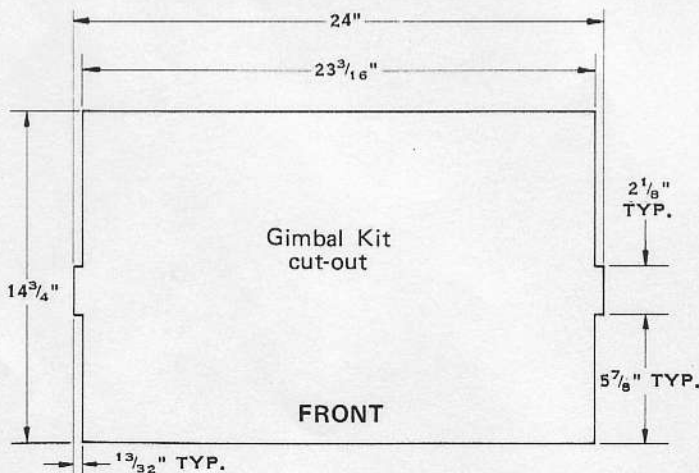
INSTALLATION

Remove lid and grate from stove. Fasten the right and left side brackets to stove with No. 8 screws from inside of stove. Right bracket is marked.

Place balance weight between brackets and fasten with two $\frac{3}{16}$ " screws.

Insert the two nylon blocks from inside of frame into matching holes, left and right side. Place frame over stove with the two tapered elongated holes toward front. Line up the holes in the pivot blocks with the threaded holes in the brackets, then install pivot studs and tighten. The gimbal assembly is now complete.

The countertop cutout dimensions are shown below. Clearance required below counter is 8". Install stove and gimbal assembly in counter and fasten frame with wood screws in the four countersunk holes in the sides.



FEATURES

- Heavy aluminum frame, black anodized.
- Stainless steel pivots in nylon blocks.
- Sliding pivot block design locks stove level or allows to swing freely.
- Heavy balance weight holds stove level.

SPECIFICATIONS

Frame Size:	15 $\frac{7}{8}$ " x 24 $\frac{3}{8}$ "
Clearance Below Countertop:	8"
Weight:	20 Lbs. (9.2 Kg) Approx.

APPLICATION

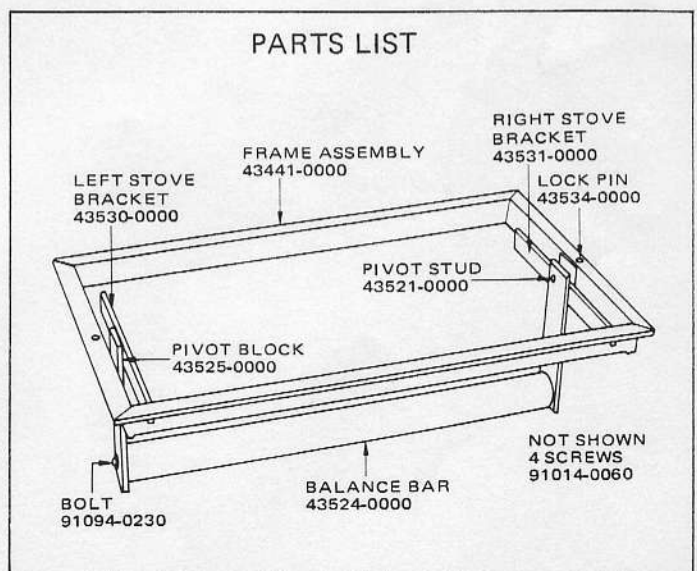
For use with Model 42820 Stove in sailboat installations. Allows stove to maintain level position when boat is heeled.

OPERATION

To lock stove, pull to front and engage tips of side brackets in the tapered holes in frame. Insert the two pins in the front holes in frame top, one each end.

To allow stove to swing freely: Remove the two pins, move stove to rear and drop pins into the two rear holes.

PARTS LIST



JABSCO PRODUCTS **ITT**

Marine and Recreation Components Division
International Telephone and Telegraph Corporation
1485 Dale Way, Costa Mesa, California 92626

Telephone: (714) 545-8251