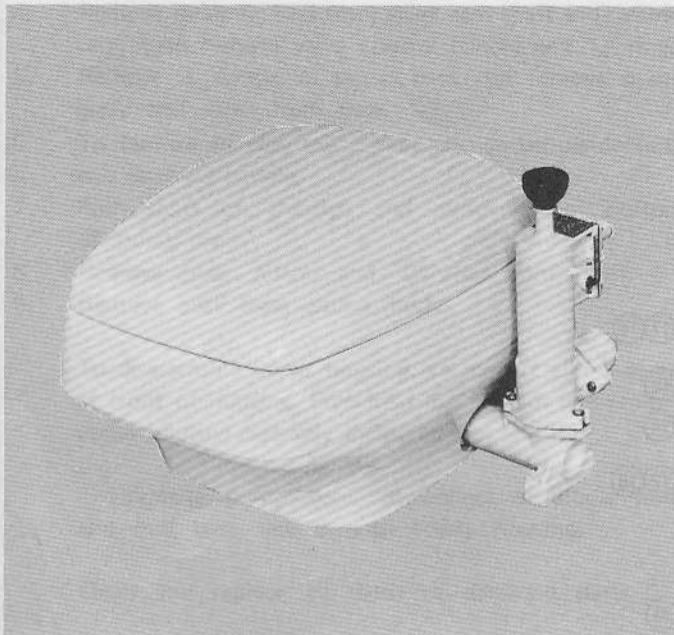


Installation, Operating and Service Instructions



DESIGN FEATURES

- Modern styling, compact low-profile design.
- Reduced water use with swirl flush bowl design.
- Smooth action pump for easy flushing and pump-out.
- Flush - dry bowl valve shuts off inlet when not in use.
- All plastic construction and corrosion resistant fasteners for seawater use.

Specifications

3/4" hose inlet, 1 1/2" hose outlet
13 3/4" high, 20" wide, 19" deep.
Weight: 14 lbs.

MODEL: 42150-0000

INSTALLATION INSTRUCTIONS

The PAR manual toilet may be installed above or below the waterline. Seacocks must be used for thru hull fittings when installed below waterline.

To install toilet, remove retaining screw at front of housing with Phillips screw driver and press rear locking slot to remove upper housing assembly, including seat and lid.

Locate toilet on flat surface and fasten lower housing to deck with four screws through mounting holes provided. Fasten pump base to deck securely through the two holes provided.

PLUMBING CONNECTIONS. Make sure all inlet connections are airtight and free of sharp bends or restrictions. Discharge hose should be free of sharp bends or restrictions. Use non-collapsible hose or tubing.

For installations below waterline, use vented loop about 8" above waterline at all angles of heel or trim for both intake and discharge hoses.

For installations above waterline, make a loop in the discharge line about 8" above base of bowl to retain water in bowl.

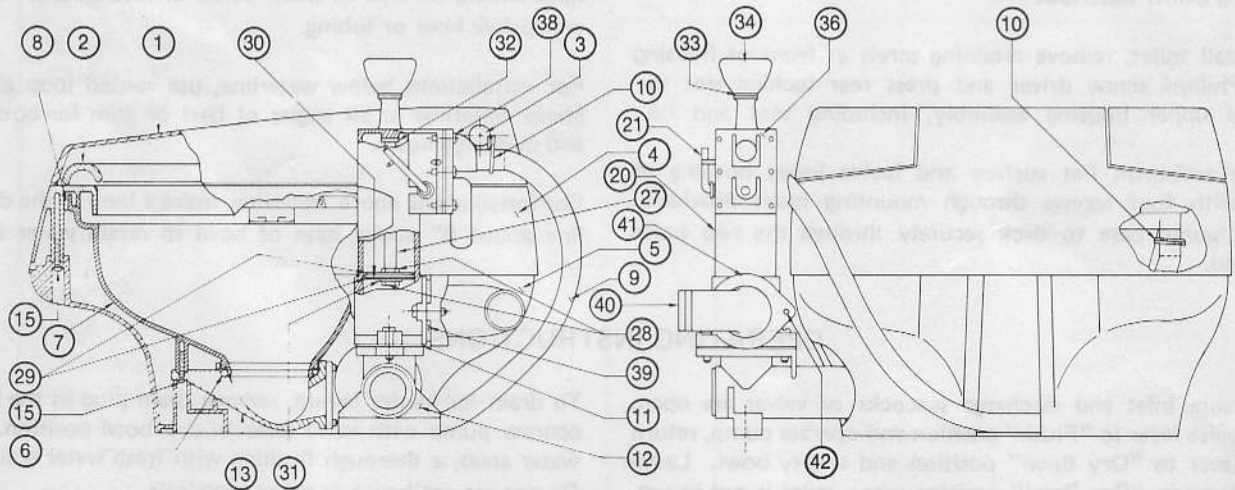
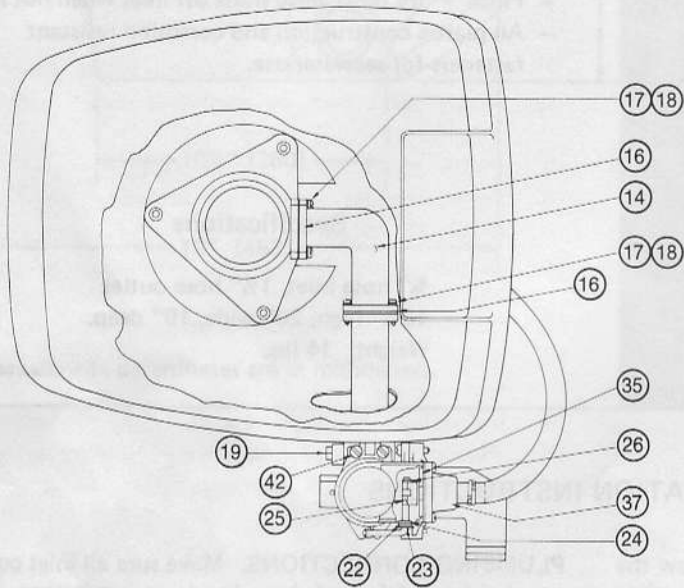
OPERATING INSTRUCTIONS

Make sure inlet and discharge seacocks or valves are open. Move valve lever to "Flush" position and operate pump, return valve lever to "Dry Bowl" position and empty bowl. Leave valve lever in "Dry Bowl" position when toilet is not in use. Close seacocks when boat is unattended.

To drain for winter lay-up, remove drain plug in the base and operate pump with valve lever in dry bowl position. In salt water areas, a thorough flushing with fresh water is suggested. Do not use antifreeze or other chemicals.

JABSCO PRODUCTS **ITT**

EXPLODED VIEW



JABSCO PRODUCTS LTD

SERVICE INSTRUCTIONS

DISASSEMBLY

1. Remove intake hose from top of pump.
2. Remove 2 screws and clamp for discharge elbow and remove same.
3. Remove 6 screws from dry bowl valve cover and remove cover, valve assembly and intake valve seat.
4. Remove retaining ring from valve cam shaft and remove cam, then remove valve control handle and 'O' rings.
5. Remove 3 screws in pump base and remove pump body and valve from base.
6. To remove handle, use socket wrench on piston nut and unscrew handle.
7. Push shaft on through and remove from bottom of pump body.
8. Remove nuts, piston and 'O' ring from shaft.
9. Remove seal from pump body.

To disassemble upper housing, remove retaining screw at front of housing. Press rear locking slot and remove upper housing assembly including seat and lid.

To remove pump base, disconnect at elbow joint and pull base out through lower housing.

Clean and replace all worn or damaged parts.

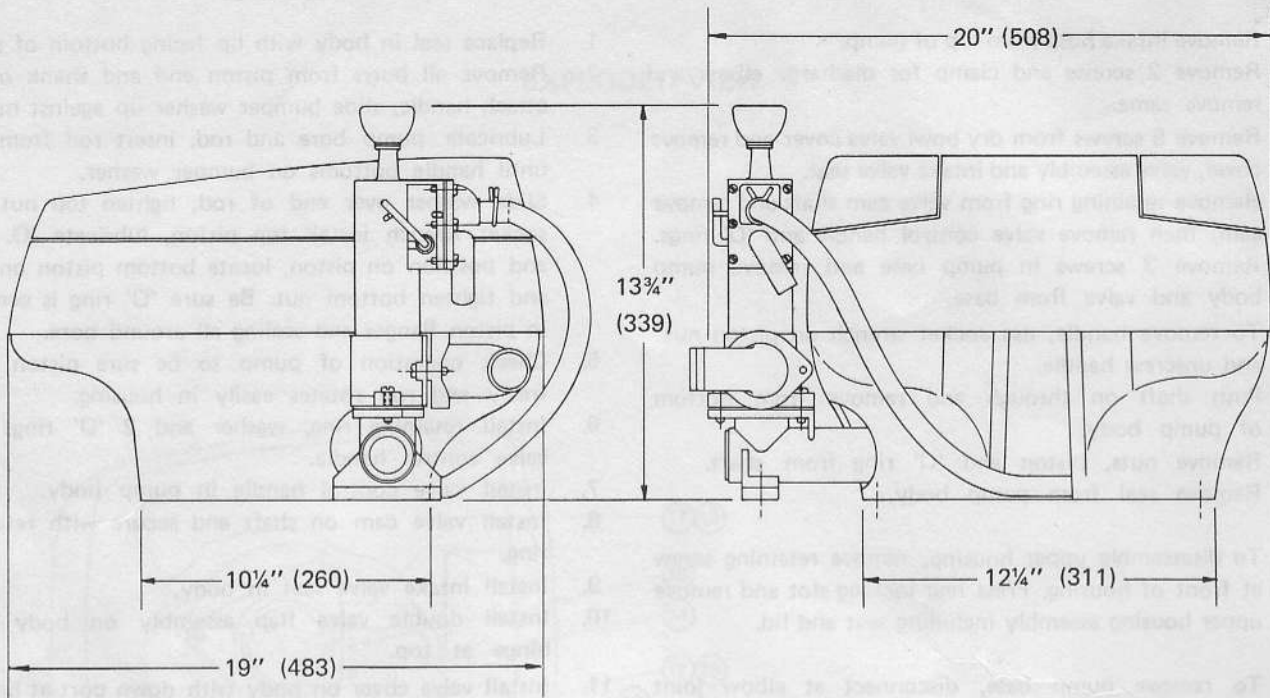
ASSEMBLY

1. Replace seal in body with lip facing bottom of pump.
2. Remove all burrs from piston end and shank of rod, attach handle, slide bumper washer up against handle.
3. Lubricate pump bore and rod, insert rod from top until handle bottoms on bumper washer.
4. Slide washer over end of rod, tighten top nut with socket wrench install top piston, lubricate 'O' ring and position on piston, locate bottom piston on rod and tighten bottom nut. Be sure 'O' ring is centered in piston flanges and sealing all around bore.
5. Check operation of pump to be sure piston slides freely and rod rotates easily in housing.
6. Install retaining ring, washer and 2 'O' rings on valve control handle.
7. Install valve control handle in pump body.
8. Install valve cam on shaft and secure with retaining ring.
9. Install intake valve seat in body.
10. Install double valve flap assembly on body with hinge at top.
11. Install valve cover on body with down port at bottom and secure with screws.
12. Install joker valve in discharge port.
13. Install discharge port on body (secure with clamp and screws).
14. Install base flap assembly on base with weight on top.
15. Reassemble pump base, upper housing assembly and connect inlet and discharge hoses.

PARTS LIST

KEY	DESCRIPTION	PART NUMBER	QTY. REQ.	KEY	DESCRIPTION	PART NUMBER	QTY. REQ.
1	Lid	18047-0000	1	24	'O' Ring Seal	59127-7023	2
2	Seat	18046-0000	1	25	Valve Cam	59127-7021	1
3	Pivot Pin	18034-0000	2	26	Cam Retaining Ring	59127-7052	1
4	Upper Housing	18036-0000	1	27	Piston Rod	59127-7014	1
5	Lower Housing	42153-0000	1	28	3/8 - 16 Brass Hex Nut	57000-8105	2
6	Bowl Seal, Lower	18110-0000	1	29	Piston	59127-7015	2
7	Bowl	18043-0000	1	30	Piston 'O' Ring	59127-7016	1
8	Bowl Seal, Upper	18044-0000	1	31	5/8 Flat Washer	57000-8160	1
9	Hose	42162-0000	1	32	Seal	59127-7017	1
10	Hose Clamp	18037-0000	2	33	Bumper Washer	59127-7018	1
11	Valve-Gasket	59127-7041	1	34	Knob	92330-0092	1
12	Pump Base	42155-0000	1	35	Intake & Valve Seat	59127-7026	1
13	Bowl Base	42154-0000	1	36	Double Flap Valve Gasket	59127-7040	1
14	Elbow	42156-0000	1	37	Valve Cover	59127-7027	1
15	Screw	91045-0361	4	38	3/4" x No. 10 Rd. Head Screw	57000-8515	6
16	Gasket	42159-0000	2	39	Joker Valve	59127-7013	1
17	Screw	96050-0479	8	40	Discharge Elbow	59127-7012	1
18	Washer	91602-0120	8	41	Discharge Flange	59127-7011	1
19	Drain Plug	92650-0206	1	42	1" x No. 14 Rd. Head Screw	57000-8510	5
20	Pump Cylinder	59127-7009	1		Service Kit	59300-0000	-
21	Valve Control Handle	59127-7031	1				
22	Retaining Ring	59127-7042	1				
23	Washer	57000-8485	5				

DIMENSIONAL DRAWING



Dimensions in parentheses are in millimeters.

PARTS LIST

QTY REQ	PART NUMBER	DESCRIPTION	KEY	QTY REQ	PART NUMBER	DESCRIPTION	KEY
2	80137-0000	Oil Ring Seal	31	1	18047-0000	Lid	1
2	80137-1001	Valve Gm	32	1	18048-0000	Seat	2
1	80137-1002	Oil Drainage Plug	33	2	18049-0000	Power Flange	3
1	80137-1014	Lock Washer	34	1	18050-0000	Lower Flange	4
2	80137-0100	Oil Drainage Plug	35	1	18051-0000	Lower Flange	5
2	80137-1003	Plug	36	1	18052-0000	Lower Flange	6
1	80137-1004	Flange Fl. Ring	37	1	18053-0000	Lower Flange	7
1	80137-1005	Flange Fl. Ring	38	1	18054-0000	Lower Flange	8
1	80137-1006	Flange Fl. Ring	39	1	18055-0000	Lower Flange	9
1	80137-1007	Flange Fl. Ring	40	1	18056-0000	Lower Flange	10
1	80137-1008	Flange Fl. Ring	41	1	18057-0000	Lower Flange	11
1	80137-1009	Flange Fl. Ring	42	1	18058-0000	Lower Flange	12
1	80137-1010	Flange Fl. Ring	43	1	18059-0000	Lower Flange	13
1	80137-1011	Flange Fl. Ring	44	1	18060-0000	Lower Flange	14
1	80137-1012	Flange Fl. Ring	45	1	18061-0000	Lower Flange	15
1	80137-1013	Flange Fl. Ring	46	1	18062-0000	Lower Flange	16
1	80137-1014	Flange Fl. Ring	47	1	18063-0000	Lower Flange	17
1	80137-1015	Flange Fl. Ring	48	1	18064-0000	Lower Flange	18
1	80137-1016	Flange Fl. Ring	49	1	18065-0000	Lower Flange	19
1	80137-1017	Flange Fl. Ring	50	1	18066-0000	Lower Flange	20
1	80137-1018	Flange Fl. Ring	51	1	18067-0000	Lower Flange	21
1	80137-1019	Flange Fl. Ring	52	1	18068-0000	Lower Flange	22
1	80137-1020	Flange Fl. Ring	53	1	18069-0000	Lower Flange	23
1	80137-1021	Flange Fl. Ring	54	1	18070-0000	Lower Flange	24
1	80137-1022	Flange Fl. Ring	55	1	18071-0000	Lower Flange	25
1	80137-1023	Flange Fl. Ring	56	1	18072-0000	Lower Flange	26
1	80137-1024	Flange Fl. Ring	57	1	18073-0000	Lower Flange	27
1	80137-1025	Flange Fl. Ring	58	1	18074-0000	Lower Flange	28
1	80137-1026	Flange Fl. Ring	59	1	18075-0000	Lower Flange	29
1	80137-1027	Flange Fl. Ring	60	1	18076-0000	Lower Flange	30
1	80137-1028	Flange Fl. Ring	61	1	18077-0000	Lower Flange	31
1	80137-1029	Flange Fl. Ring	62	1	18078-0000	Lower Flange	32
1	80137-1030	Flange Fl. Ring	63	1	18079-0000	Lower Flange	33
1	80137-1031	Flange Fl. Ring	64	1	18080-0000	Lower Flange	34
1	80137-1032	Flange Fl. Ring	65	1	18081-0000	Lower Flange	35
1	80137-1033	Flange Fl. Ring	66	1	18082-0000	Lower Flange	36
1	80137-1034	Flange Fl. Ring	67	1	18083-0000	Lower Flange	37
1	80137-1035	Flange Fl. Ring	68	1	18084-0000	Lower Flange	38
1	80137-1036	Flange Fl. Ring	69	1	18085-0000	Lower Flange	39
1	80137-1037	Flange Fl. Ring	70	1	18086-0000	Lower Flange	40
1	80137-1038	Flange Fl. Ring	71	1	18087-0000	Lower Flange	41
1	80137-1039	Flange Fl. Ring	72	1	18088-0000	Lower Flange	42
1	80137-1040	Flange Fl. Ring	73	1	18089-0000	Lower Flange	43
1	80137-1041	Flange Fl. Ring	74	1	18090-0000	Lower Flange	44
1	80137-1042	Flange Fl. Ring	75	1	18091-0000	Lower Flange	45
1	80137-1043	Flange Fl. Ring	76	1	18092-0000	Lower Flange	46
1	80137-1044	Flange Fl. Ring	77	1	18093-0000	Lower Flange	47
1	80137-1045	Flange Fl. Ring	78	1	18094-0000	Lower Flange	48
1	80137-1046	Flange Fl. Ring	79	1	18095-0000	Lower Flange	49
1	80137-1047	Flange Fl. Ring	80	1	18096-0000	Lower Flange	50

JABSCO PRODUCTS **ITT**

Marine and Recreation Components Division
 International Telephone and Telegraph Corporation
 1485 Dale Way, Costa Mesa, California 92626
 Telephone: (714) 545-8251