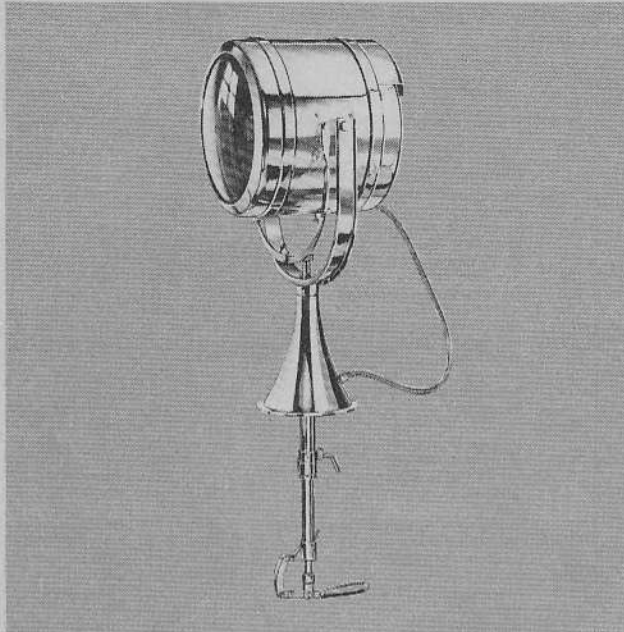


RAY-LINE®
MARINE SEARCHLIGHTS

14" Diameter MODEL 41833-Series Lever Control

PRODUCT DATA

MODEL 41833-SERIES LEVER CONTROL



FEATURES

- Heavy-gauge copper, brass, and bronze construction.
- High-quality, heavy nickel chrome finish or tough baked enamel finish.
- Vented weatherproof drum.
- Heat-resistant tempered convex lens set in weatherproof gasket.
- Escutcheon plate covers and finishes clearance hole in cabin ceiling.
- Single-lever action for quick horizontal and vertical sweep.
- 360° horizontal sweep and 80° vertical motion.
- Horizontal and vertical locking devices.
- Medium pre-focus bulb socket.
- Precision-formed tempered mirror reflector.
- Auxiliary reflector for beam efficiency.
- External focusing device.
- Rubber covered wiring cable enclosed in flexible weatherproof wiring conduit.
- Shipping weight: approximately 50 lbs.

STANDARD MODELS

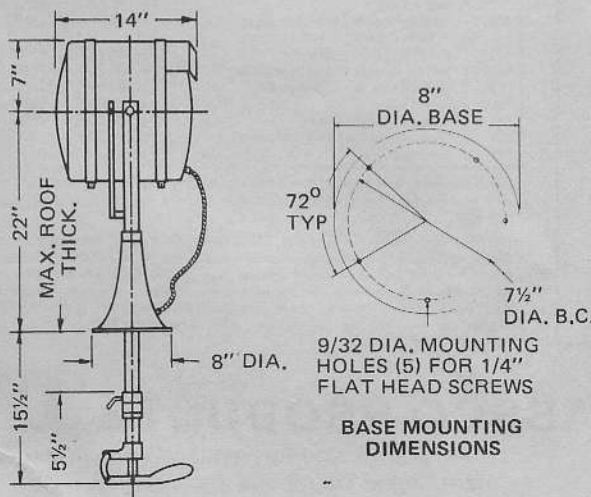
Model Number	Finish	Rod Length Below Base	Maximum Roof Thickness
41833-0340	Chrome	15½"	5½"
41833-0330	Gray	15½"	5½"

Light supplied less bulb. See Bulb Selection Data.

BULB SELECTION DATA

Medium Prefocus Bulb Number	Voltage	Wattage	Rated Service Life (hours)	Bulb Code
98039-0030	115	500	50	DMX
98039-0140	115	750	25	DPJ
98039-0410	115	1000	50	DRC
98039-0150	115	1000	25	DRS

DIMENSIONAL DRAWING



Maximum width across trunnion = 16"

INSTALLATION AND MAINTENANCE

INSTALLATION INSTRUCTIONS: Searchlight should be mounted so base is level. Drill a 1 3/16" clearance hole through roof for base tube. Drill a 1/2" hole for wiring directly behind and next to control rod hole. Loosen set screws (Keys 10A, 11A) and remove handle (Key 13), cap for inside control rod (Key 11), and fulcrum (Key 10). Loosen set screws (Keys 7A, 9B), remove stop collar (Key 7), sliding stop (Key 8), and stop lock ring (Key 9).

Mount light in place, feeding wire through 1/2" hole. After putting sealing compound under base, fasten to roof with conduit fitting facing aft. Place escutcheon plate over base tube on inside ceiling and fasten. With light facing forward, place stop lock ring (Key 9) on to the end of the base tube; and with the lock bolt (Key 9A) facing aft, firmly tighten set screws

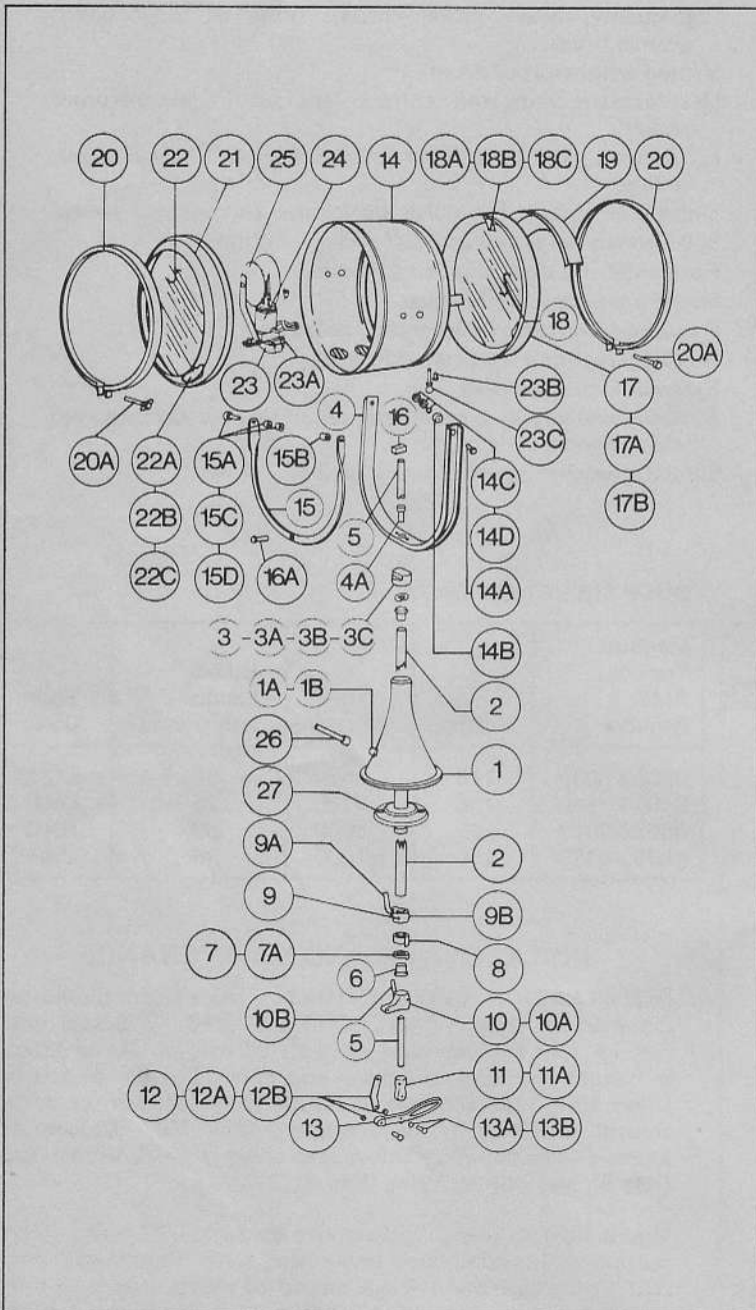
JABSCO PRODUCTS **ITT**

INSTALLATION AND MAINTENANCE (Cont'd.)

(Key 9B). Place sliding stop (Key 8) against the stop lock ring. Place the stop collar (Key 7) against the sliding stop and, with the stop point facing forward, tighten set screws (Key 7A).

Replace fulcrum, cap for inside control rod, and handle. Check that all set screws and bolts on the searchlight are tightened properly.

WIRING INSTRUCTIONS: Use stranded copper wire. For 110 volt applications, use No. 14 gauge wire for up to 75' from power source. For lengths greater than 75', a heavier gauge wire should be used. Connect green wire to ground. Wire should be fused for 15 amps.



RELAMPING AND FOCUSING: Remove lens door retaining ring (Key 20) and slide lens away from housing. Remove bulb by pushing in and turning counter-clockwise. Clean mirror and auxiliary reflector with a soft, lint-free cloth. Install new bulb. Replace door and door retaining ring. Adjust focusing with thumbscrew (Key 23C) for desired beam width.

MAINTENANCE: Clean the bulb, lens, auxiliary reflector, and main reflector periodically with a soft, lint-free cloth for best efficiency. Apply a coating of all-weather grease to all moving parts. Carefully check all set screws and bolts for proper tightness.

PARTS LIST

KEY	DESCRIPTION	PART NUMBER		QTY.
		CHROME	GRAY	
*1	Base (includes stabilizer collar)	41850-0020	41850-0000	1
*1A	Connector for conduit	43227-0030	43227-0030	1
*1B	Nut for conduit connector	91085-0900	91085-0900	2
2	Outside control rod	41839-0010	41839-0000	1
*3	Trunnion adapter	41862-0020	41862-0000	1
*3A	Shaft wiper (nylon seal ring)	98022-1630	98022-1630	1
*3B	Nylon bushing	40042-0020	40042-0020	1
*3C	Set screws for trunnion adapter	96091-0030	96091-0030	2
*4	Horizontal trunnion	41864-0020	41864-0000	1
*4A	Bolts for mounting trunnion to adapter	91095-1100	91095-1100	2
5	Inside control rod	43254-0010	43254-0000	1
*6	Teflon bushing	40042-0010	40042-0010	1
*7	Stop collar	41856-0020	41856-0000	1
*7A	Set screw for stop collar	96091-0010	96091-0010	2
*8	Sliding stop	41857-0020	41857-0000	1
*9	Stop lock ring	41859-0020	41859-0000	1
*9A	Lock bolt for stop lock	43248-0020	43248-0000	1
*9B	Set screw for stop lock	96091-0010	96091-0010	2
10	Fulcrum	41841-0030	41841-0020	1
*10A	Set screws for fulcrum	96092-0010	96092-0010	2
*10B	Lock screw	40187-0010	40187-0000	1
*11	Cap for fastening inside control rod to handle	40399-0010	40399-0000	1
*11A	Set screw for above	96091-0010	96091-0010	2
*12	Links connecting handle to fulcrum	40265-0010	40265-0040	2
*12A	Bolt for links	91043-0050	91043-0080	2
*12B	Nut for above	91085-0410	91085-0590	2
*13	Lever handle	40406-0010	40406-0000	1
*13A	Bolt for lever handle	91043-0190	91043-0200	1
*13B	Nut for above	91085-0410	91085-0590	1
*14	Housing	41877-0020	41877-0000	1
*14A	Bolt for mounting housing to trunnion	91095-1130	91095-1120	2
*14B	Spacer for horizontal trunnion	41104-0020	41104-0000	2
*14C	Lockwasher for above	91613-1110	91613-1110	2
*14D	Nut for above	91085-0990	91085-0990	2
*15	Elevating trunnion	41865-0020	41865-0000	1
*15A	Bolt for fastening housing to elevating trunnion	91095-1110	91095-0310	2
*15B	Spacer for elevating trunnion	41866-0020	41866-0000	2
*15C	Lockwasher for above	91613-0540	91613-0540	2
*15D	Nut for above	91085-0160	91085-0160	2
*16	Trunnion link	41863-0020	41863-0000	1
*16A	Bolt for trunnion link	91095-1110	91095-0310	1
*17	Rear door (mirror not included)	41873-0020	41873-0000	1
*17A	Connector for conduit	43227-0030	43227-0030	1
*17B	Nut for above	91085-0900	91085-0900	2
*18	Mirror reflector	41638-0000	41638-0000	1
*18A	Mirror clips	41103-0000	41103-0000	3
*18B	Screw for above	91043-0160	91043-0160	3
*18C	Anti-scratch pads for mirror clips	43223-0000	43223-0000	6
*19	Vent hood	41884-0020	41884-0000	1
*20	Door retaining ring (for lens door & rear door)	41867-0020	41867-0000	2
*20A	Bolt for above	41105-0010	41105-0010	2
*21	Lens door (lens not included)	41870-0020	41870-0000	1
*22	Lens	41636-0000	41636-0000	1
*22A	Gasket for lens	43220-0000	43220-0000	1
*22B	Lens clips	41649-0000	41649-0000	5
*22C	Nuts for above	91085-0390	91085-0390	5
*23	Focusing assembly (complete w/socket, auxiliary reflector & base)	43213-0000	43213-0000	1
*23A	Spring for focusing assembly	41660-0000	41660-0000	1
*23B	Bolt for mounting focusing assembly	91043-0030	91043-0030	2
*23C	Thumbbolt for focusing adjustment	92851-0050	92851-0090	1
*24	Socket only	98041-0030	98041-0030	1
*25	Auxiliary reflector only	41639-0000	41639-0000	1
*26	Conduit (includes female connectors)	40518-0100	40518-0080	1
*27	Escutcheon plate	40262-0040	40262-0051	1

Items on Parts List with lettered key numbers are supporting hardware to the basic part number (i.e. key numbers 22A, 22B and 22C should be ordered with the lens, Key 22).

NOTE: SERVICE PARTS FOR EARLIER MODELS - The above Parts List is for lights marked with a nine digit model number (i.e. 41833-0000). Earlier models are marked with a four digit model number (i.e. 1833). Only key numbers marked with an asterisk are interchangeable for all models. For service requirements on lights with four digit model numbers, where interchangeable parts are not indicated, the light should be returned to the factory, ITT Jabsco Products, 501 W. Liberty St., Springfield, Ohio 45501.

JABSCO PRODUCTS **ITT**

Marine and Recreation Components Division
International Telephone and Telegraph Corporation
1485 Dale Way, Costa Mesa, California 92626

Telephone: (714) 545-8251